



**Technical details** and mounting  
guideline for **plasterboard**  
**suspended ceiling systems**



# CONTENTS

## NIDA System P suspended ceilings both fire-resistant and non-fire-resistant from bottom to top (b->a)

NIDA System P1.S1.CD/UD.Br suspended ceiling, single layer on single NIDA Metal CD/UD structure with adjustable clamp	4
NIDA System P2.S1.CD/UD.Br suspended ceiling, double layer on single NIDA Metal CD/UD structure with adjustable clamp	8
NIDA System P3.S1.CD/UD.Br suspended ceiling, triple layer on single NIDA Metal CD/UD structure with adjustable clamp	12
NIDA System P4.S1.CD/UD.Br suspended ceiling, fourfold layer on single NIDA Metal CD/UD structure with adjustable clamp	16
NIDA System P1.S2.CD/UD.Br suspended ceiling, single layer on double NIDA Metal CD/UD structure with adjustable clamp	20
NIDA System P2.S2.CD/UD.Br suspended ceiling, double layer on double NIDA Metal CD/UD structure with adjustable clamp	24
NIDA System P3.S2.CD/UD.Br suspended ceiling, triple layer on double NIDA Metal CD/UD structure with adjustable clamp	28
NIDA System P4.S2.CD/UD.Br suspended ceiling, fourfold layer on double NIDA Metal CD/UD structure with adjustable clamp	32
NIDA System P1.S1.CD/UD.Ba suspended ceiling, single layer on single NIDA Metal CD/UD structure with acoustic clamp	36
NIDA System P2.S1.CD/UD.Ba suspended ceiling, double layer on single NIDA Metal CD/UD structure with acoustic clamp	40
NIDA System P1.S2.CD/UD.Ba suspended ceiling, single layer on double NIDA Metal CD/UD structure with acoustic clamp	44
NIDA System P2.S2.CD/UD.Ba suspended ceiling, double layer on double NIDA Metal CD/UD structure with acoustic clamp	48
NIDA System P1.S1.CD/UD.T suspended ceiling, single layer on single NIDA Metal CD/UD structure with suspension hanger	52
NIDA System P2.S1.CD/UD.T suspended ceiling, double layer on single NIDA Metal CD/UD structure with suspension hanger	56
NIDA System P1.S2.CD/UD.T suspended ceiling, single layer on double NIDA Metal CD/UD structure with suspension hanger	60
NIDA System P2.S2.CD/UD.T suspended ceiling, double layer on double NIDA Metal CD/UD structure with suspension hanger	64
NIDA System P1.S1.CD/UD.N suspended ceiling, single layer on single NIDA Metal CD/UD structure with Nonius hanger	68
NIDA System P2.S1.CD/UD.N suspended ceiling, double layer on single NIDA Metal CD/UD structure with Nonius hanger	72
NIDA System P3.S1.CD/UD.N suspended ceiling, triple layer on single NIDA Metal CD/UD structure with Nonius hanger	76
NIDA System P4.S1.CD/UD.N suspended ceiling, fourfold layer on single NIDA Metal CD/UD structure with Nonius hanger	80
NIDA System P1.S2.CD/UD.N suspended ceiling, single layer on double NIDA Metal CD/UD structure with Nonius hanger	84
NIDA System P2.S2.CD/UD.N suspended ceiling, double layer on double NIDA Metal CD/UD structure with Nonius hanger	88
NIDA System P3.S2.CD/UD.N suspended ceiling, triple layer on double NIDA Metal CD/UD structure with Nonius hanger	92
NIDA System P4.S2.CD/UD.N suspended ceiling, fourfold layer on double NIDA Metal CD/UD structure with Nonius hanger	96
NIDA System P1.S2.UA/CD ceiling, single layer on double NIDA Metal UA/CD structure with threaded rod	100
NIDA System P2.S2.UA/CD ceiling, double layer on double NIDA Metal UA/CD structure with threaded rod	106
NIDA System P3.S2.UA/CD ceiling, triple layer on double NIDA Metal UA/CD structure with threaded rod	112
NIDA System P4.S2.UA/CD ceiling, fourfold layer on double NIDA Metal UA/CD structure with threaded rod	118
NIDA System P1.S1.CD/UD.RL suspended ceiling, single layer on single NIDA Metal CD/UD structure with connector for timber	124
NIDA System P2.S1.CD/UD.RL suspended ceiling, double layer on single NIDA Metal CD/UD structure with connector for timber	125

## NIDA System P suspended ceilings fire-resistant from bottom to top (b->a)

NIDA System P2.S1.CD/UD.N suspended ceiling, double layer on single NIDA Metal CD/UD structure with Nonius hanger	126
NIDA System P2.S2.CD/UD.N suspended ceiling, double layer on double NIDA Metal CD/UD structure with Nonius hanger	130
NIDA System P2.S2.UA/CD ceiling, double layer on double NIDA Metal UA/CD structure with threaded rod	134
NIDA System P4.S2.UA/CD ceiling, fourfold layer on double NIDA Metal UA/CD structure with threaded rod	140

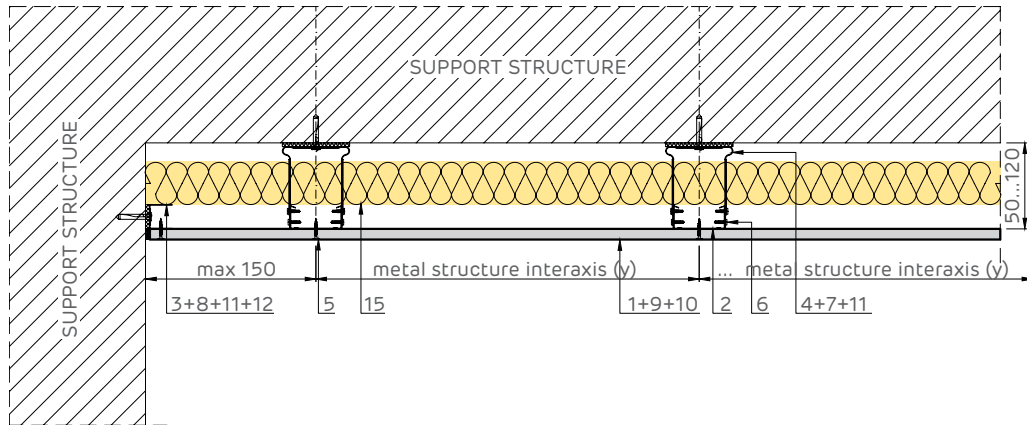
## MOUNTING GUIDELINES

Suspended ceiling installation guideline	146
--	-----

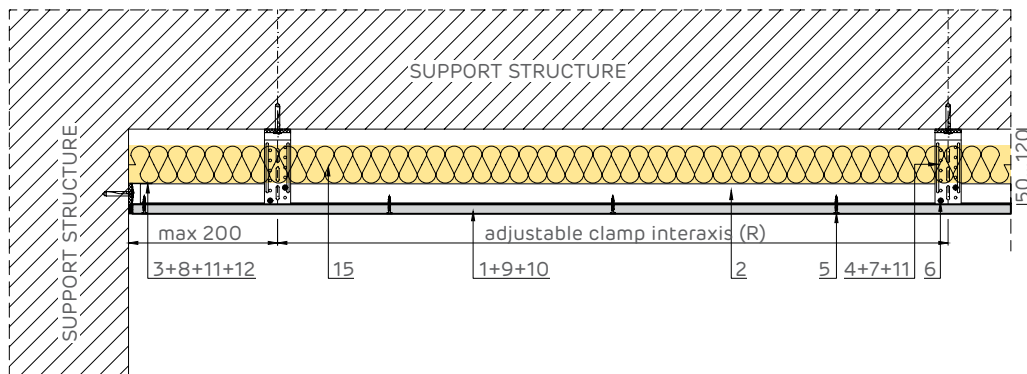


## NIDA System P1.S1.CD/UD.Br: NIDA System suspended ceiling, single layer on single structure with adjustable clamps

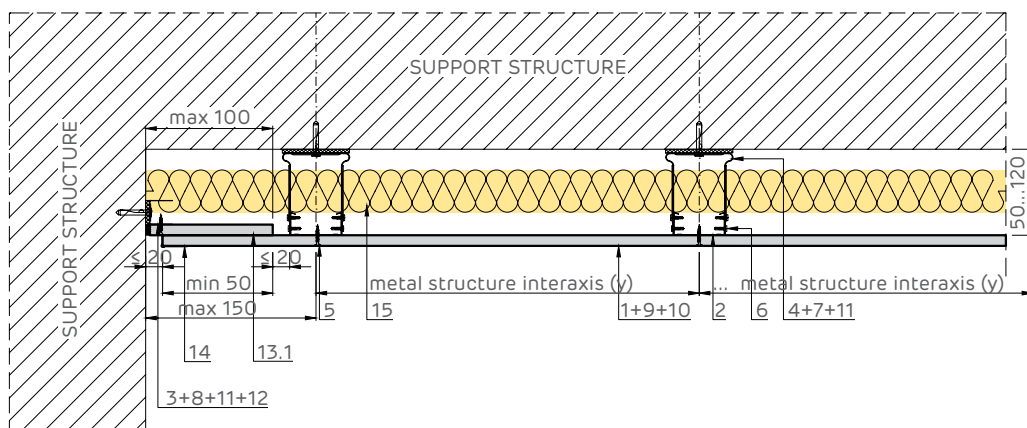
Rigid jointing with sturdy item  
Cross section



Rigid jointing with sturdy item  
Longitudinal section

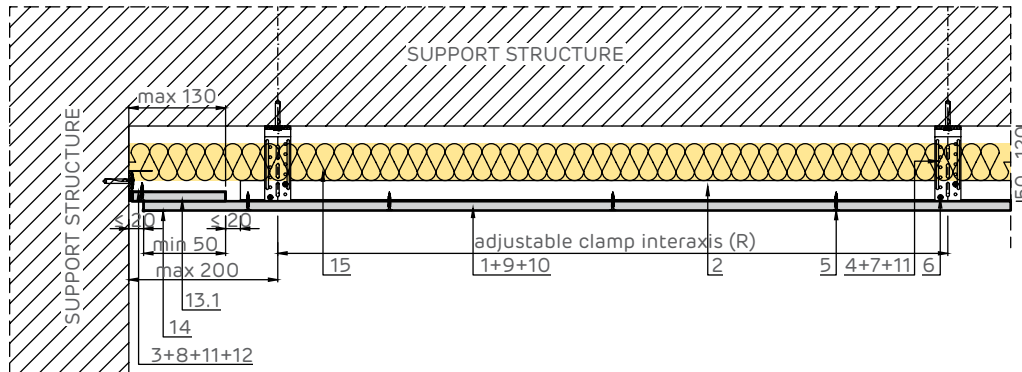


Sliding jointing with sturdy item  
Cross section

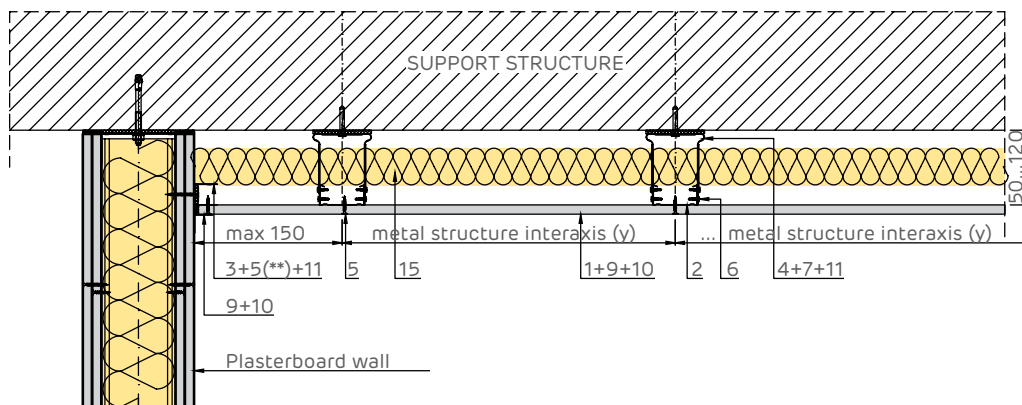




## Sliding jointing with sturdy item Longitudinal section



## Jointing with plasterboard wall Cross section

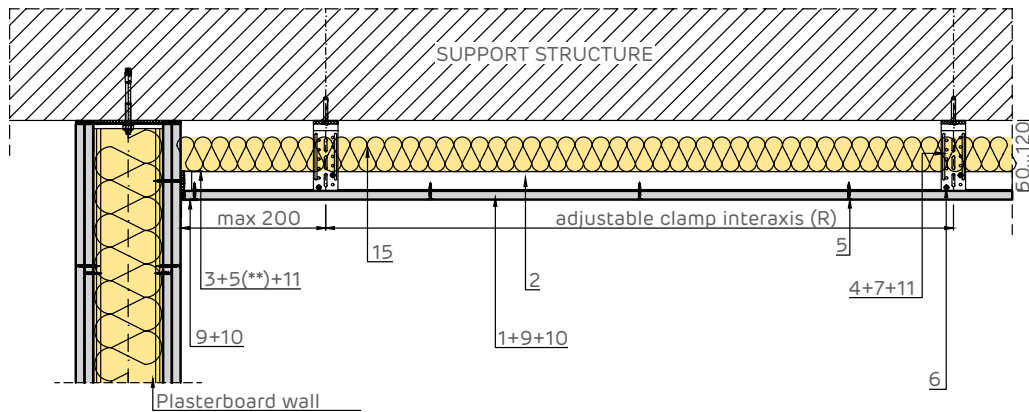


### NOTE:

(\*\*) The self-tapping screw will be fixed to the metal structure of the plasterboard wall, choosing the length according to the thickness of the wall package (thickness of the wall board layers).

- |   |  |    |  |
|---|--|----|--|
| 1 | 1 x Siniat plasterboard  | 9  | Jointing tape (*2)                                   |
| 2 | NIDA Metal CD60 profile  | 10 | NIDA Profesional jointing plaster                    |
| 3 | NIDA Metal UD30 runner profile   | 11 | Single-sided adhesive sealing tape                   |
| 4 | NIDA System adjustable clamp   | 12 | Joint treated with NIDA Boardfix                     |
| 5 | Self-tapping 212 x L1 @ 300 mm   | 13 | 1. 1 x Siniat board strip                            |
| 6 | Attachment with adjustable clamp - NIDA Metal CD60<br>2 x 2 self-drilling 4.2x13 FLAT HEAD | 14 | 2. 1 x Siniat board strip pre-mounted with 212 screw |
| 7 | Mechanical fixing (*1), 1 pc/fastening   | 15 | Corner protection profile                            |
| 8 | Mechanical fixing (*1), laid out at 500 mm pitch   |    | Mineral wool (*3)                                    |

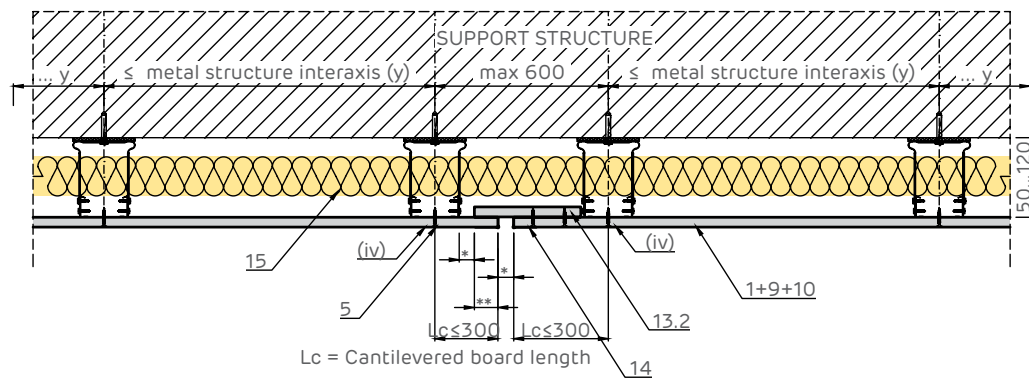
### Joining with plasterboard wall Longitudinal section



**NOTE:**

(\*\*) The self-tapping screw will be fixed to the metal structure of the plasterboard wall, choosing the length according to the thickness of the wall package (thickness of the wall board layers).

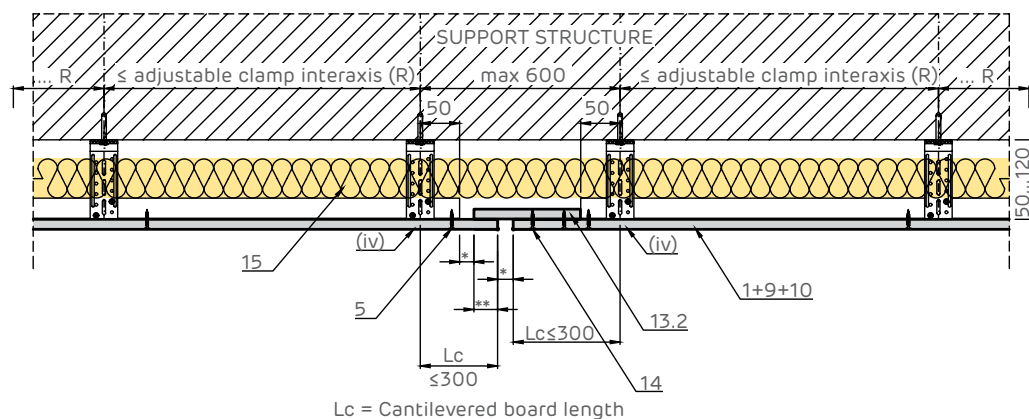
### Expansion joint Cross section



**NOTE:**

(iv) For the last plasterboard layer, it is not acceptable to make a joint in front of the specified profile; The joint should also be placed in front of the structural joints;  
\* The size of the joint will also be determined by the size of the structural joint, but not less than 20 mm;  
\*\* The board overlap will have a minimum size of (\* + 10 mm)

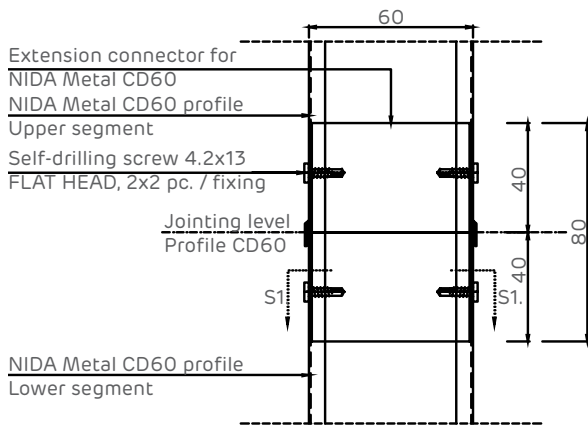
### Expansion joint Longitudinal section



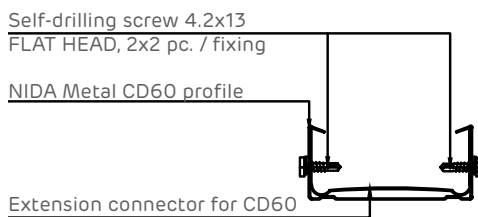
**NOTE:**

(iv) For the last plasterboard layer, it is not acceptable to make a joint in front of the specified profile; The joint should also be placed in front of the structural joints;  
\* The size of the joint will also be determined by the size of the structural joint, but not less than 20 mm;  
\*\* The board overlap will have a minimum size of (\* + 10 mm)

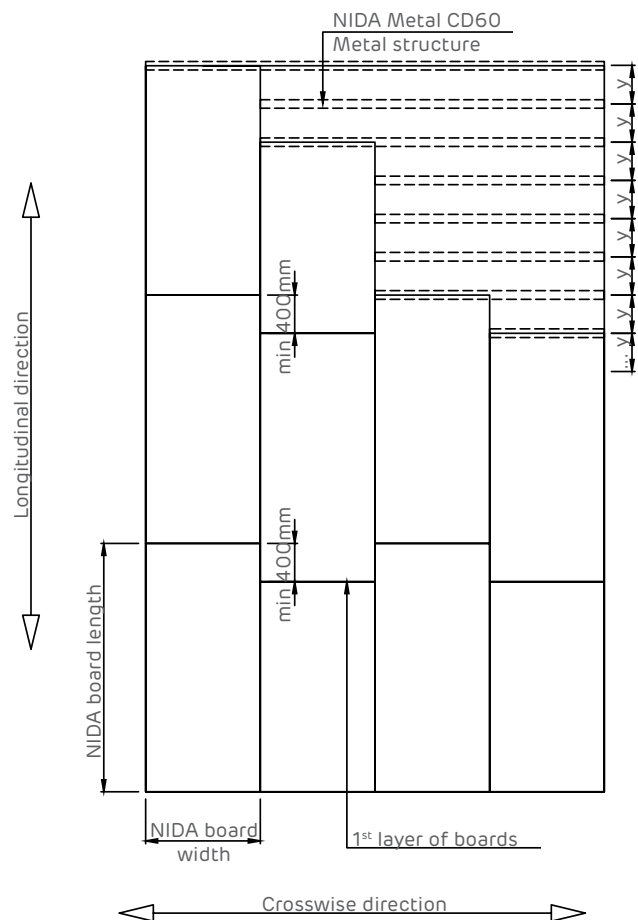
## Detail of NIDA Metal CD60 profile extension



### Section S1 - S1



## Board joint staggering System elevation



The boards should be mounted with the length perpendicular to the NIDA Metal CD60 profiles. The overlap of the boards lengthwise is minimum 400 mm.'

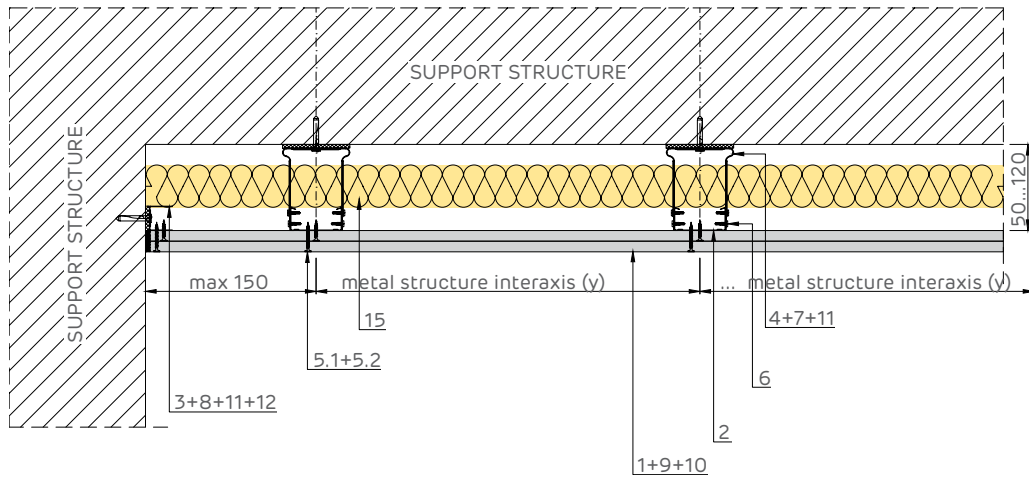
- 1 1 x Siniat plasterboard
- 2 NIDA Metal CD60 profile
- 3 NIDA Metal UD30 runner profile
- 4 NIDA System adjustable clamp
- 5 Self-tapping 212 x L1 @ 300 mm
- 6 Attachment with adjustable clamp - NIDA Metal CD60  
2 x 2 self-drilling 4.2x13 FLAT HEAD
- 7 Mechanical fixing (\*1), 1 pc/fastening
- 8 Mechanical fixing (\*1), laid out at 500 mm pitch
- 9 Jointing tape (\*2)
- 10 NIDA Profesional jointing plaster
- 11 Single-sided adhesive sealing tape
- 12 Joint treated with NIDA Boardfix
- 13 1. 1 x Siniat board strip  
2. 1 x Siniat board strip pre-mounted with 212 screw
- 14 Corner protection profile
- 15 Mineral wool (\*3)



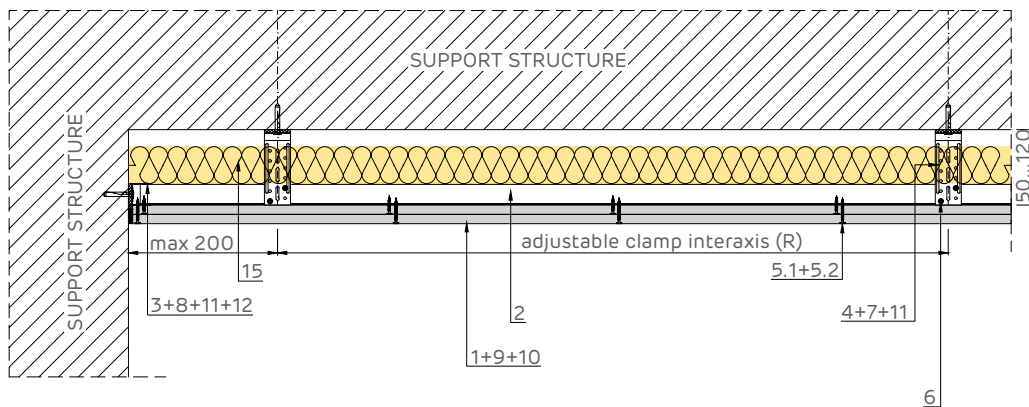
## NIDA System P2.S1.CD/UD.Br:

### NIDA System suspended ceiling, double layer on single structure with adjustable clamps

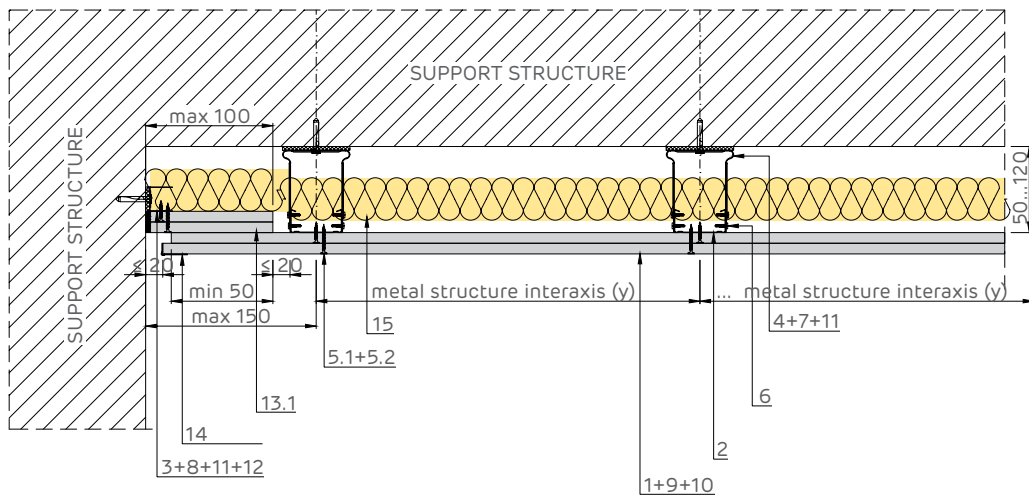
Rigid jointing with sturdy item  
Cross section



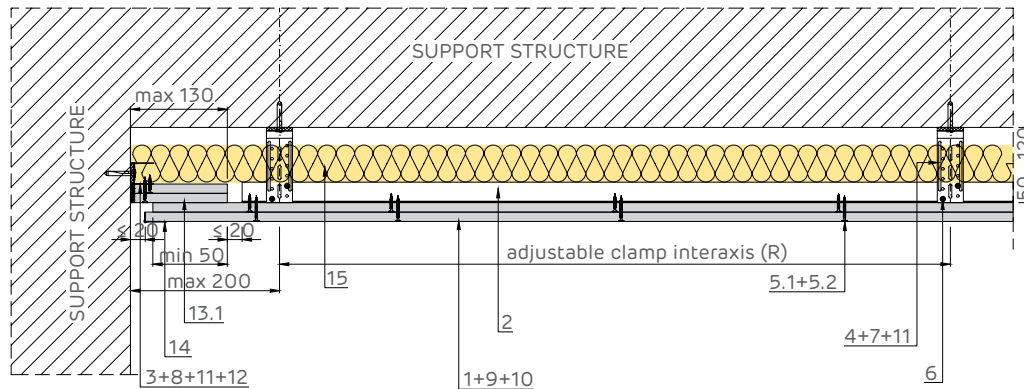
Rigid jointing with sturdy item  
Longitudinal section



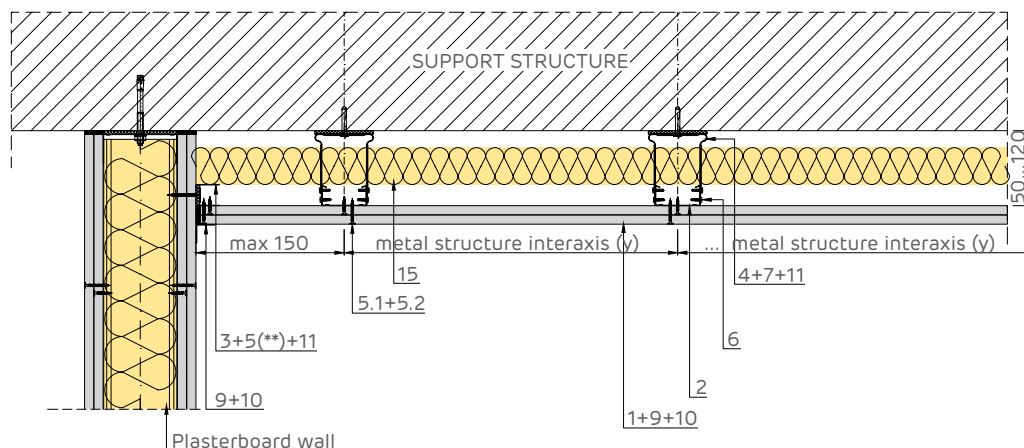
Sliding jointing with sturdy item  
Cross section



## Sliding jointing with sturdy item Longitudinal section



## Jointing with plasterboard wall Cross section

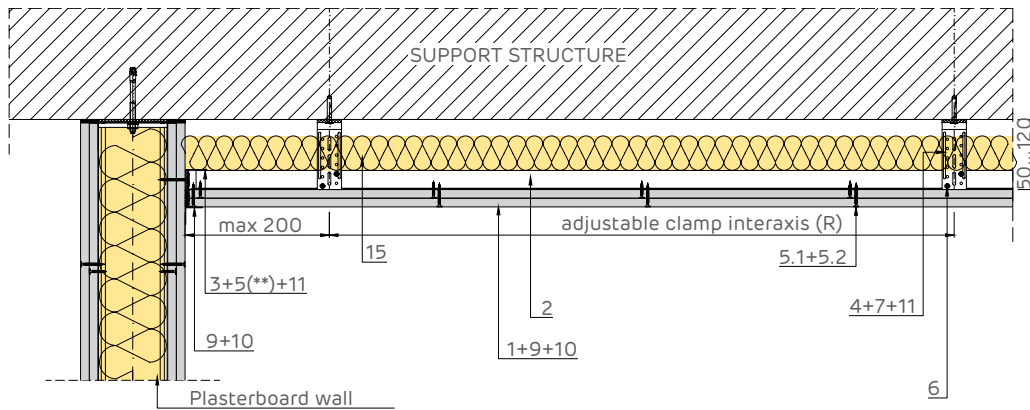


### NOTE:

(\*\*) The self-tapping screw will be fixed to the metal structure of the plasterboard wall, choosing the length according to the thickness of the wall package (thickness of the wall board layers).

- |  |  |
|--|--|
| ① 2 x Siniat plasterboard  | ⑧ Mechanical fixing (*1), laid out at 500 mm pitch                                   |
| ② NIDA Metal CD60 profile  | ⑨ Jointing tape (*2)   |
| ③ NIDA Metal UD30 runner profile   | ⑩ NIDA Profesional jointing plaster  |
| ④ NIDA System adjustable clamp   | ⑪ Single-sided adhesive sealing tape   |
| ⑤ 1. Self-tapping 212 x L1 @ 600 mm<br>2. Self-tapping 212 x L2 @ 300 mm                     | ⑫ Joint treated with NIDA Boardfix   |
| ⑥ Attachment with adjustable clamp - NIDA Metal CD60<br>2 x 2 self-drilling 4.2x13 FLAT HEAD | ⑬ 1. 2 x Siniat board strip<br>2. 1 x Siniat board strip, pre-mounted with 212 screw |
| ⑦ Mechanical fixing (*1), 1 pc/fastening   | ⑭ Corner protection profile  |
|  | ⑮ Mineral wool (*3)  |

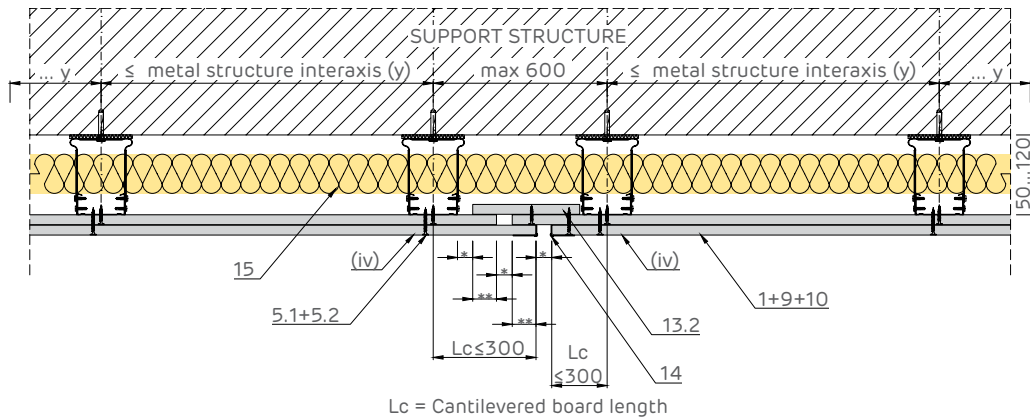
## Joining with plasterboard wall Longitudinal section



### NOTE:

(\*\*) The self-tapping screw will be fixed to the metal structure of the plasterboard wall, choosing the length according to the thickness of the wall package (thickness of the wall board layers).

## Expansion joint Cross section



Lc = Cantilevered board length

### NOTE:

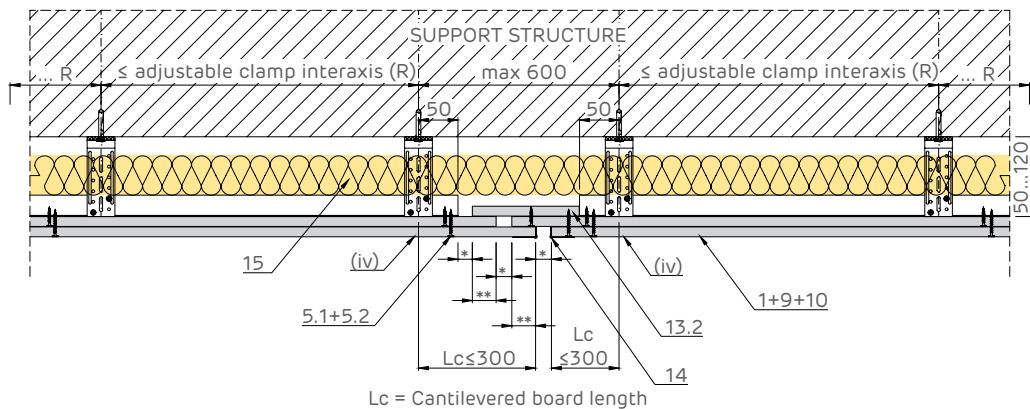
(iv) For the last plasterboard layer, it is not acceptable to make a joint in front of the specified profile;

The joint should also be placed in front of the structural joints;

\* The size of the joint will also be determined by the size of the structural joint, but not less than 20 mm;

\*\* The board overlap will have a minimum size of (\* + 10 mm)

## Expansion joint Longitudinal section



Lc = Cantilevered board length

### NOTE:

(iv) For the last plasterboard layer, it is not acceptable to make a joint in front of the specified profile;

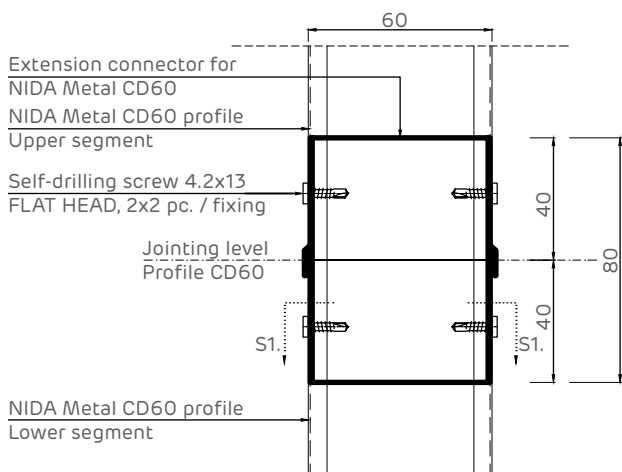
The joint should also be placed in front of the structural joints;

\* The size of the joint will also be determined by the size of the structural joint, but not less than 20 mm;

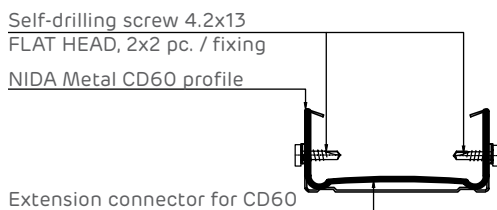
\*\* The board overlap will have a minimum size of (\* + 10 mm)



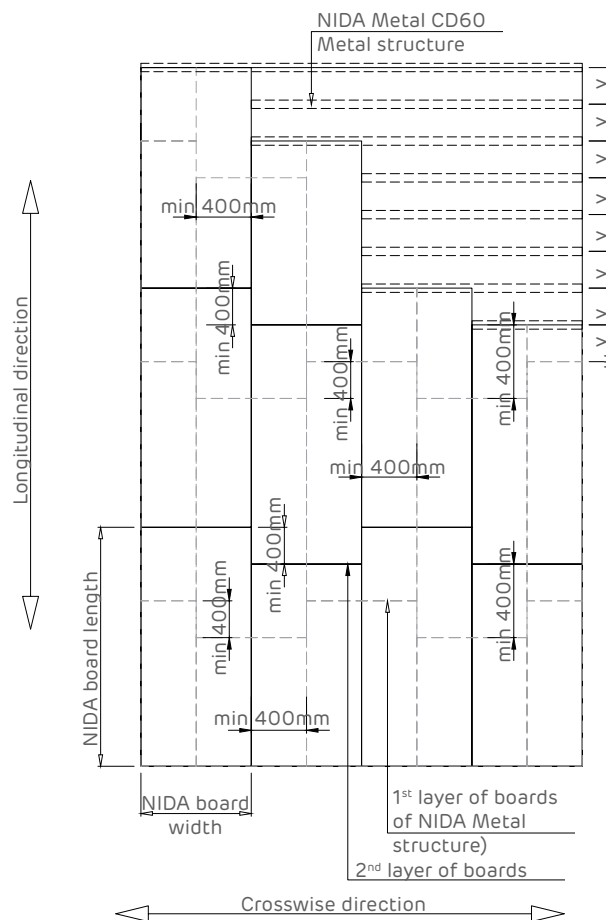
## Detail of NIDA Metal CD60 profile extension



### Section S1 - S1



## Board joint staggering System elevation



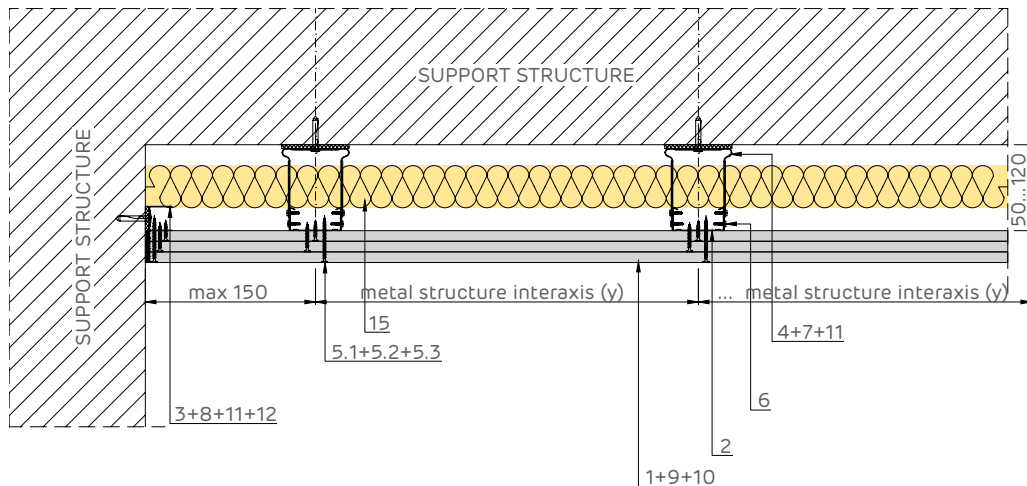
The boards should be mounted with the length perpendicular to the NIDA Metal CD60 profiles. The overlap of the boards lengthwise is minimum 400 mm.'

- 1 2 x Siniat plasterboard
- 2 NIDA Metal CD60 profile
- 3 NIDA Metal UD30 runner profile
- 4 NIDA System adjustable clamp
- 5 1. Self-tapping 212 x L1 @ 600 mm  
2. Self-tapping 212 x L2 @ 300 mm
- 6 Attachment with adjustable clamp - NIDA Metal CD60  
2 x 2 self-drilling 4.2x13 FLAT HEAD
- 7 Mechanical fixing (\*1) , 1 pc/fastening
- 8 Mechanical fixing (\*1), laid out at 500 mm pitch
- 9 Jointing tape (\*2)
- 10 NIDA Profesional jointing plaster
- 11 Single-sided adhesive sealing tape
- 12 Joint treated with NIDA Boardfix
- 13 1. 2 x Siniat board strip  
2. 1 x Siniat board strip, pre-mounted with 212 screw
- 14 Corner protection profile
- 15 Mineral wool (\*3)

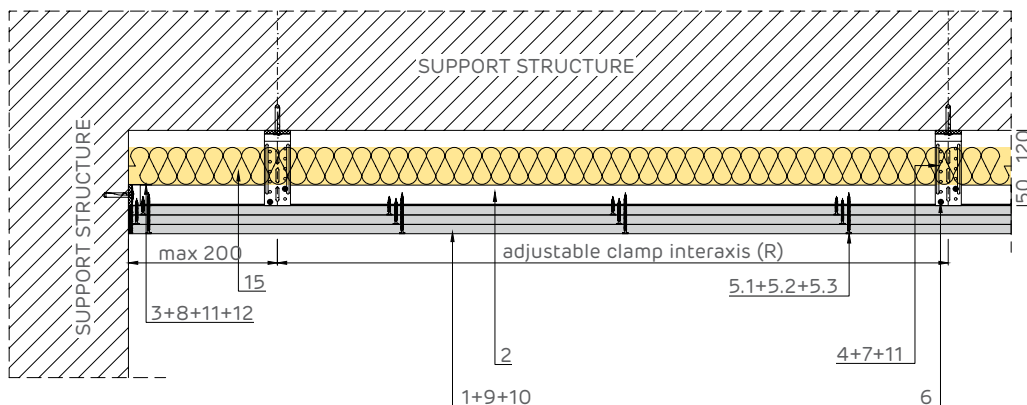
## NIDA System P3.S1.CD/UD.Br:

### NIDA System suspended ceiling, triple layer on single structure with adjustable clamps

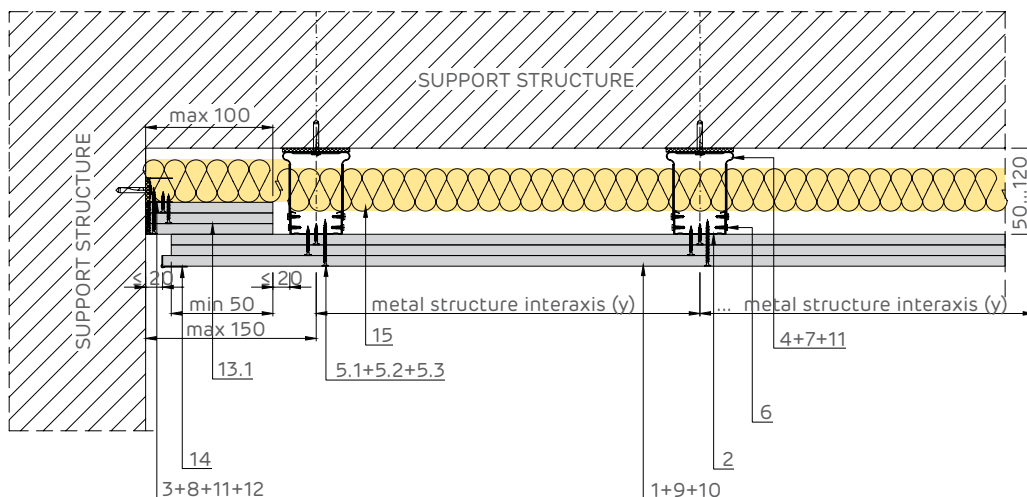
Rigid jointing with sturdy item  
Cross section



Rigid jointing with sturdy item  
Longitudinal section



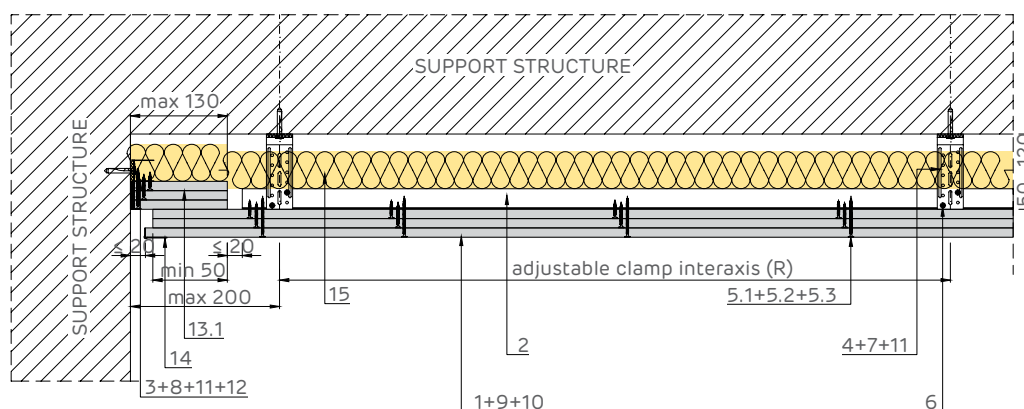
Sliding joint with sturdy items  
Cross section



#### NOTE:

(\*\*) For proper fastening of the board strips, the NIDA Metal UD30 profile can be replaced by NIDA Metal UW50.

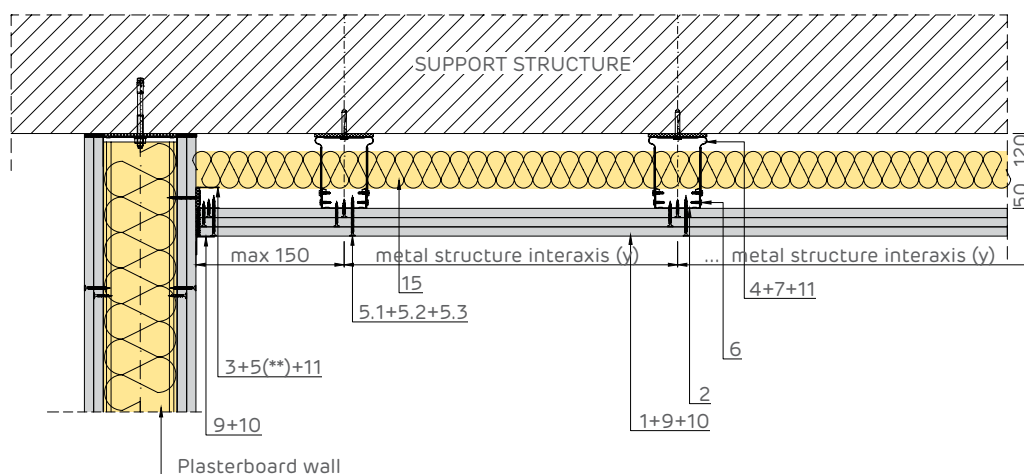
## Sliding jointing with sturdy item Longitudinal section



### NOTE:

(\*\*) For proper fastening of the board strips, the NIDA Metal UD30 profile can be replaced by NIDA Metal UW50.

## Jointing with plasterboard wall Cross section



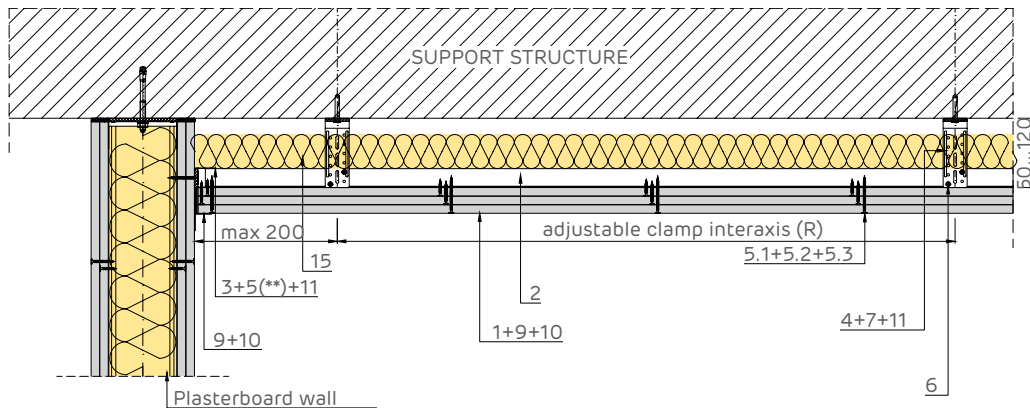
### NOTE:

(\*\*) The self-tapping screw will be fixed to the metal structure of the plasterboard wall, choosing the length according to the thickness of the wall package (thickness of the wall board layers).

- |   |  |
|---|--|
| ① 3 x Siniat plasterboard   | ⑧ Mechanical fixing (*1), laid out at 500 mm pitch                                   |
| ② NIDA Metal CD60 profile   | ⑨ Jointing tape (*2)   |
| ③ NIDA Metal UD30 runner profile  | ⑩ NIDA Profesional jointing plaster  |
| ④ NIDA System adjustable clamp  | ⑪ Single-sided adhesive sealing tape   |
| ⑤ 1. Self-tapping 212 x L1 @ 600 mm<br>2. Self-tapping 212 x L2 @ 600 mm<br>3. Self-tapping 212 x L3 @ 300 mm | ⑫ Joint treated with NIDA Boardfix   |
| ⑥ Attachment with adjustable clamp - NIDA Metal CD60<br>2 x 2 self-drilling 4.2x13 FLAT HEAD                  | ⑬ 1. 3 x Siniat board strip<br>2. 1 x Siniat board strip, pre-mounted with 212 screw |
| ⑦ Mechanical fixing (*1), 1 pc/fastening  | ⑭ Corner protection profile  |
|   | ⑮ Mineral wool (*3)  |



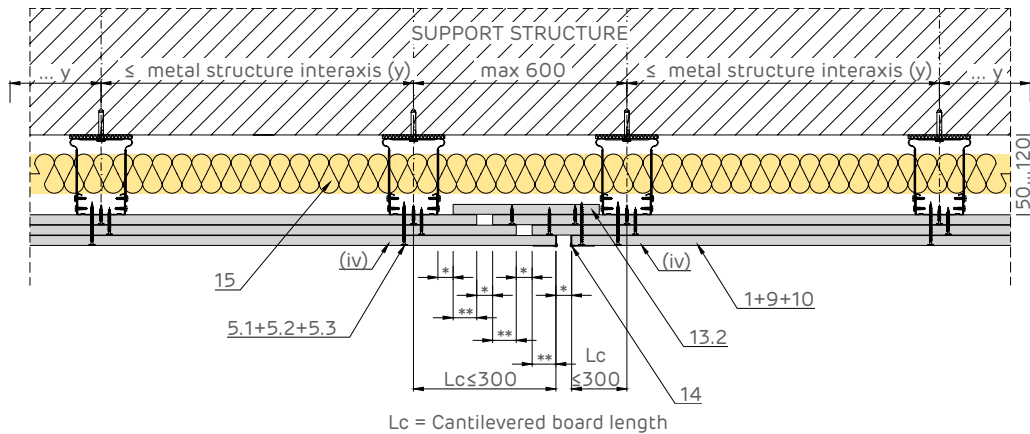
### Joining with plasterboard wall Longitudinal section



**NOTE:**

(\*\*) The self-tapping screw will be fixed to the metal structure of the plasterboard wall, choosing the length according to the thickness of the wall package (thickness of the wall board layers).

### Expansion joint Cross section



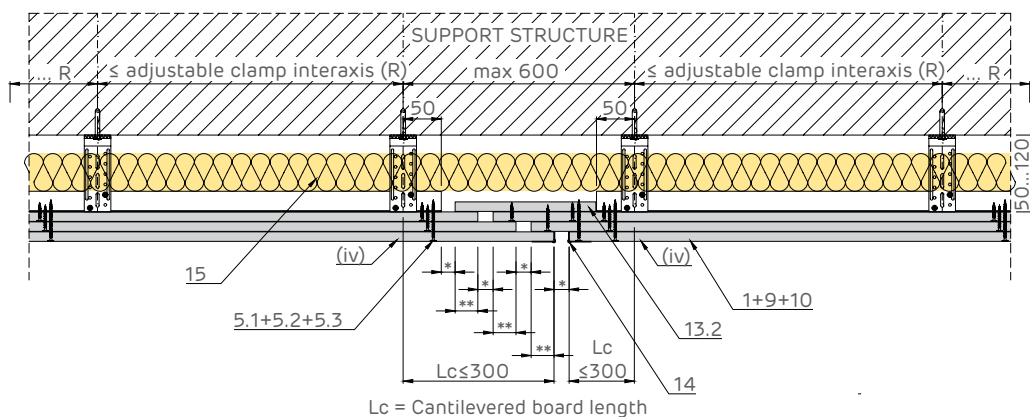
**NOTE:**

(iv) For the last plasterboard layer, it is not acceptable to make a joint in front of the specified profile; The joint should also be placed in front of the structural joints;

\* The size of the joint will also be determined by the size of the structural joint, but not less than 20 mm;

\*\* The board overlap will have a minimum size of (\* + 10 mm)

### Expansion joint Longitudinal section



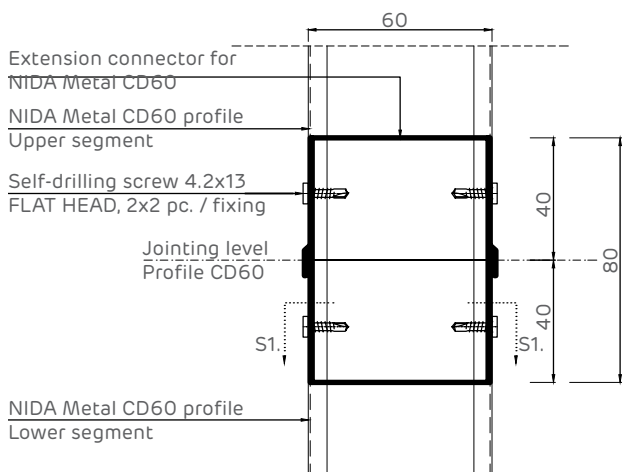
**NOTE:**

(iv) For the last plasterboard layer, it is not acceptable to make a joint in front of the specified profile; The joint should also be placed in front of the structural joints;

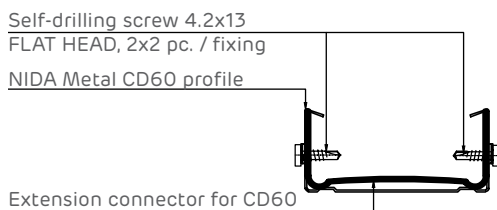
\* The size of the joint will also be determined by the size of the structural joint, but not less than 20 mm;

\*\* The board overlap will have a minimum size of (\* + 10 mm)

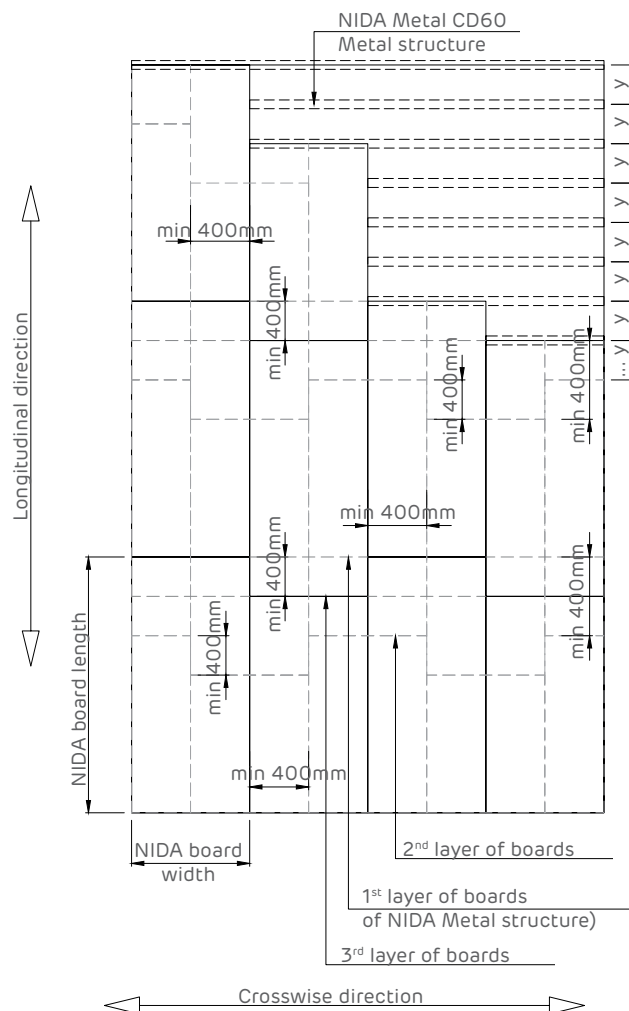
## Detail of NIDA Metal CD60 profile extension



### Section S1 - S1



## Board joint staggering System elevation



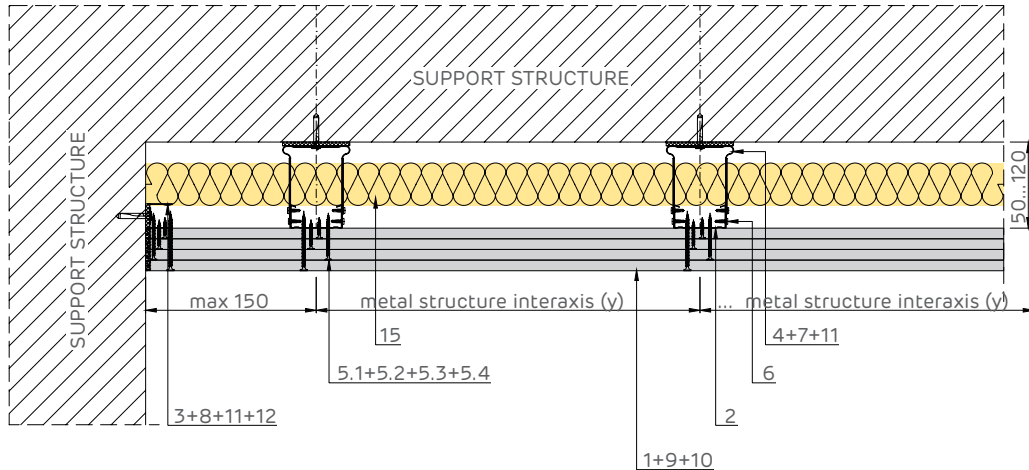
The boards should be mounted with the length perpendicular to the NIDA Metal CD60 profiles. The overlap of the boards lengthwise is minimum 400 mm.

- ① 3 x Siniat plasterboard
- ② NIDA Metal CD60 profile
- ③ NIDA Metal UD30 runner profile
- ④ NIDA System adjustable clamp
- ⑤ 1. Self-tapping 212 x L1 @ 600 mm  
2. Self-tapping 212 x L2 @ 600 mm  
3. Self-tapping 212 x L3 @ 300 mm
- ⑥ Attachment with adjustable clamp - NIDA Metal CD60  
2 x 2 self-drilling 4.2x13 FLAT HEAD
- ⑦ Mechanical fixing (\*1), 1 pc/fastening
- ⑧ Mechanical fixing (\*1), laid out at 500 mm pitch
- ⑨ Jointing tape (\*2)
- ⑩ NIDA Profesional jointing plaster
- ⑪ Single-sided adhesive sealing tape
- ⑫ Joint treated with NIDA Boardfix
- ⑬ 1. 3 x Siniat board strip  
2. 1 x Siniat board strip, pre-mounted with 212 screw
- ⑭ Corner protection profile
- ⑮ Mineral wool (\*3)

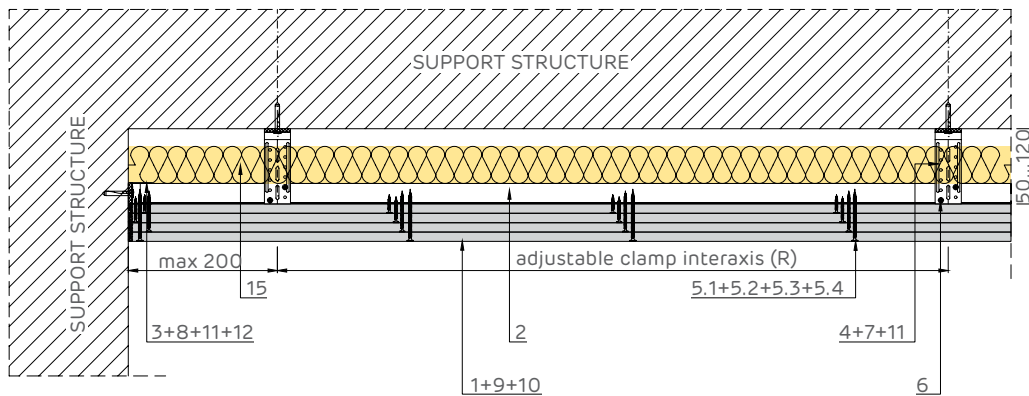
## NIDA System P4.S1.CD/UD.Br:

### NIDA System suspended ceiling, fourfold layer on single structure with adjustable clamps

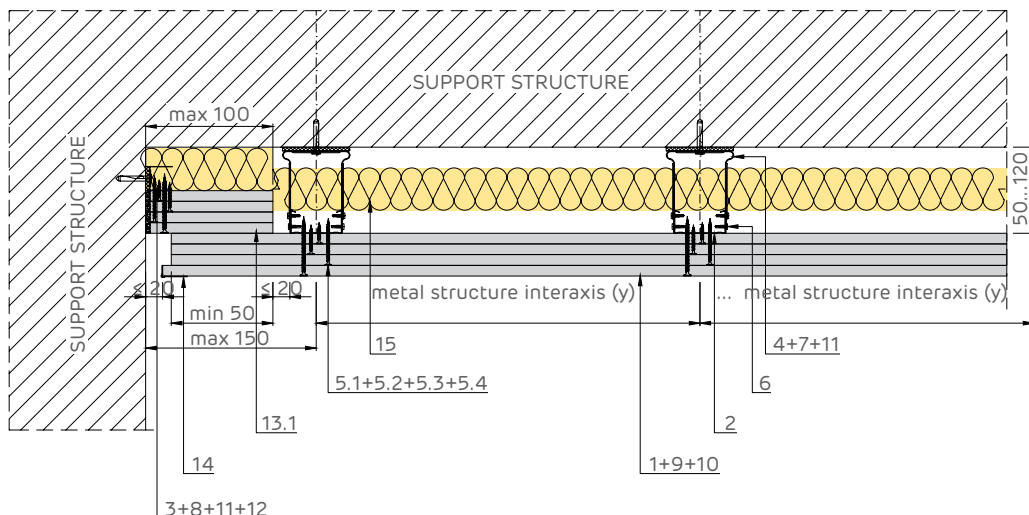
Rigid jointing with sturdy item  
Cross section



Rigid jointing with sturdy item  
Longitudinal section



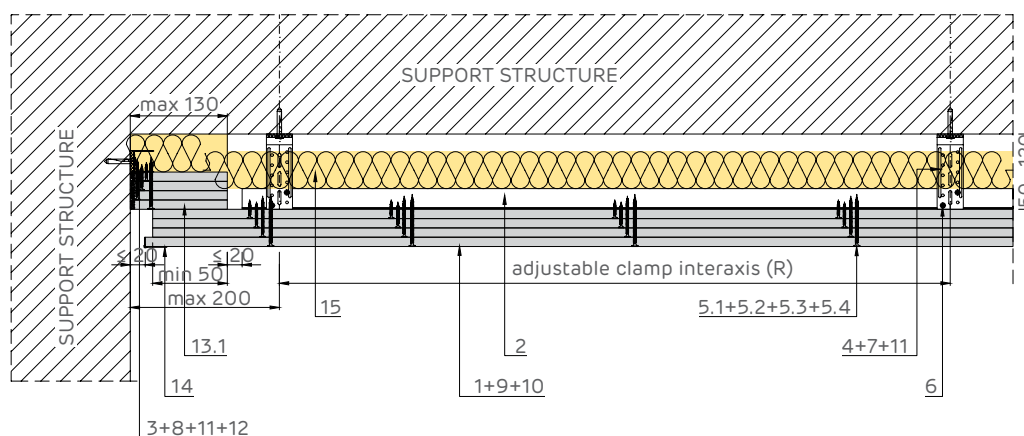
Sliding joint with sturdy items  
Cross section



#### NOTE:

(\*\*) For proper fastening of the board strips, the NIDA Metal UD30 profile can be replaced by NIDA Metal UW50.

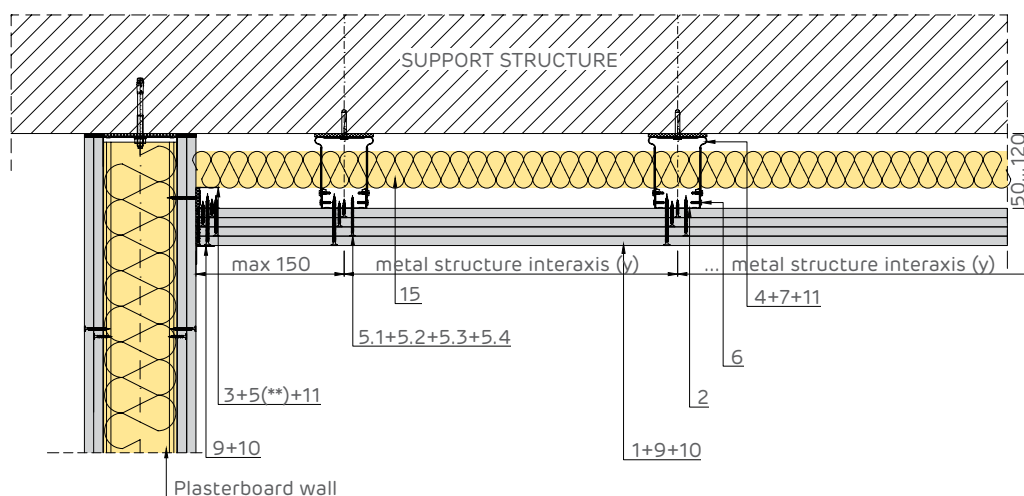
## Sliding jointing with sturdy item Longitudinal section



### NOTE:

(\*\*) For proper fastening of the board strips, the NIDA Metal UD30 profile can be replaced by NIDA Metal UW50.

## Jointing with plasterboard wall Cross section

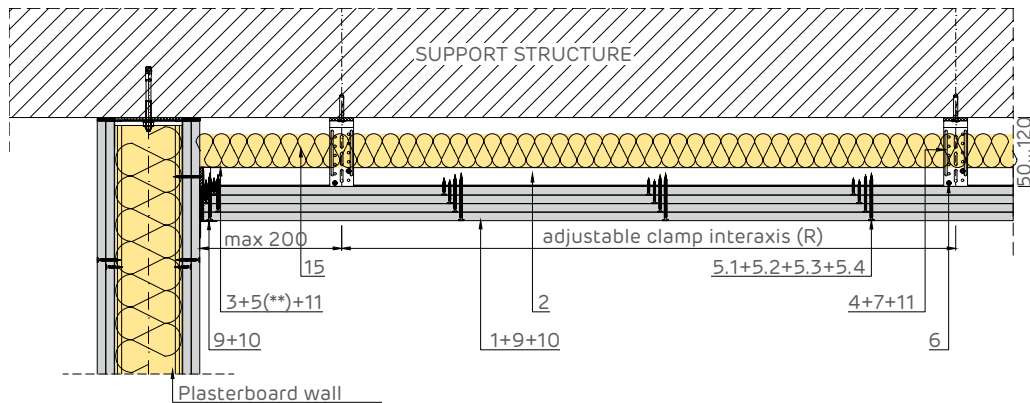


### NOTE:

(\*\*) The self-tapping screw will be fixed to the metal structure of the plasterboard wall, choosing the length according to the thickness of the wall package (thickness of the wall board layers).

- |  |   |
|--|---|
| ① 4 x Siniat plasterboard                            | ⑦ Mechanical fixing (*1) , 1 pc/fastening             |
| ② NIDA Metal CD60 profile                            | ⑧ Mechanical fixing (*1), laid out at 500 mm pitch    |
| ③ NIDA Metal UD30 runner profile                     | ⑨ Jointing tape (*2)                                  |
| ④ NIDA System adjustable clamp                       | ⑩ NIDA Profesional jointing plaster                   |
| ⑤ 1. Self-tapping 212 x L1 @ 600 mm                  | ⑪ Single-sided adhesive sealing tape                  |
| 2. Self-tapping 212 x L2 @ 600 mm                    | ⑫ Joint treated with NIDA Boardfix                    |
| 3. Self-tapping 212 x L3 @ 600 mm                    | ⑬ 1. 4 x Siniat board strip                           |
| 4. Self-tapping 212 x L4 @ 300 mm                    | 2. 1 x Siniat board strip, pre-mounted with 212 screw |
| ⑥ Attachment with adjustable clamp - NIDA Metal CD60 | ⑭ Corner protection profile                           |
| 2 x 2 self-drilling 4.2x13 FLAT HEAD                 | ⑮ Mineral wool (*3)                                   |

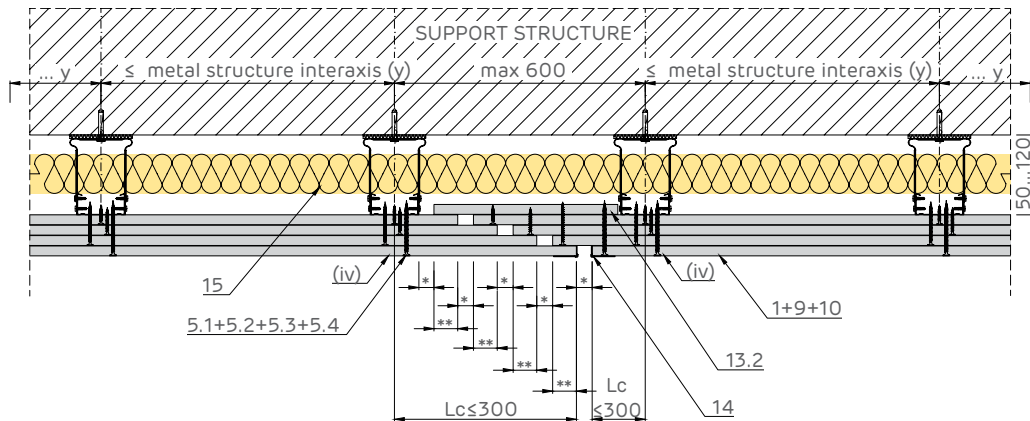
## Joining with plasterboard wall Longitudinal section



### NOTE:

(\*\*) The self-tapping screw will be fixed to the metal structure of the plasterboard wall, choosing the length according to the thickness of the wall package (thickness of the wall board layers).

## Expansion joint Cross section



### NOTE:

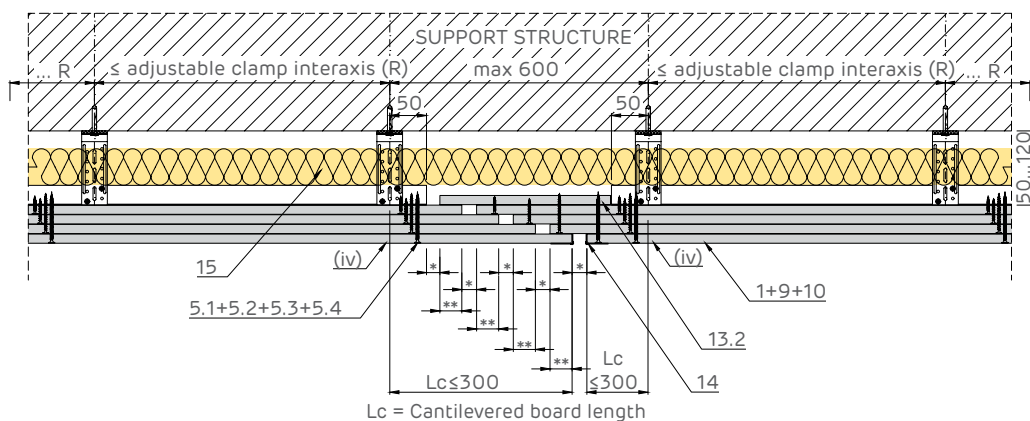
$L_c$  = Cantilevered board length

(iv) For the last plasterboard layer, it is not acceptable to make a joint in front of the specified profile; The joint should also be placed in front of the structural joints;

\* The size of the joint will also be determined by the size of the structural joint, but not less than 20 mm;

\*\* The board overlap will have a minimum size of (\* + 10 mm)

## Expansion joint Longitudinal section



### NOTE:

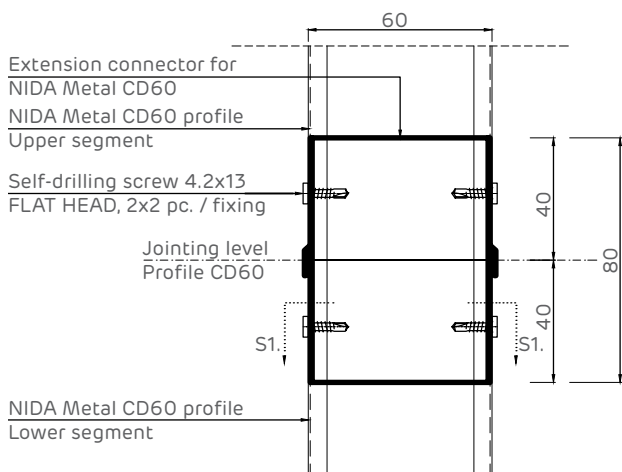
(iv) For the last plasterboard layer, it is not acceptable to make a joint in front of the specified profile;

The joint should also be placed in front of the structural joints;

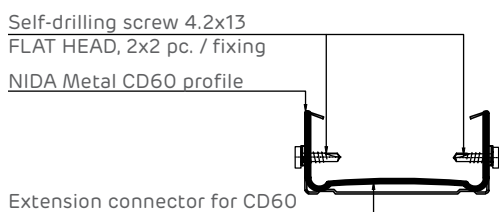
\* The size of the joint will also be determined by the size of the structural joint, but not less than 20 mm;

\*\* The board overlap will have a minimum size of (\* + 10 mm)

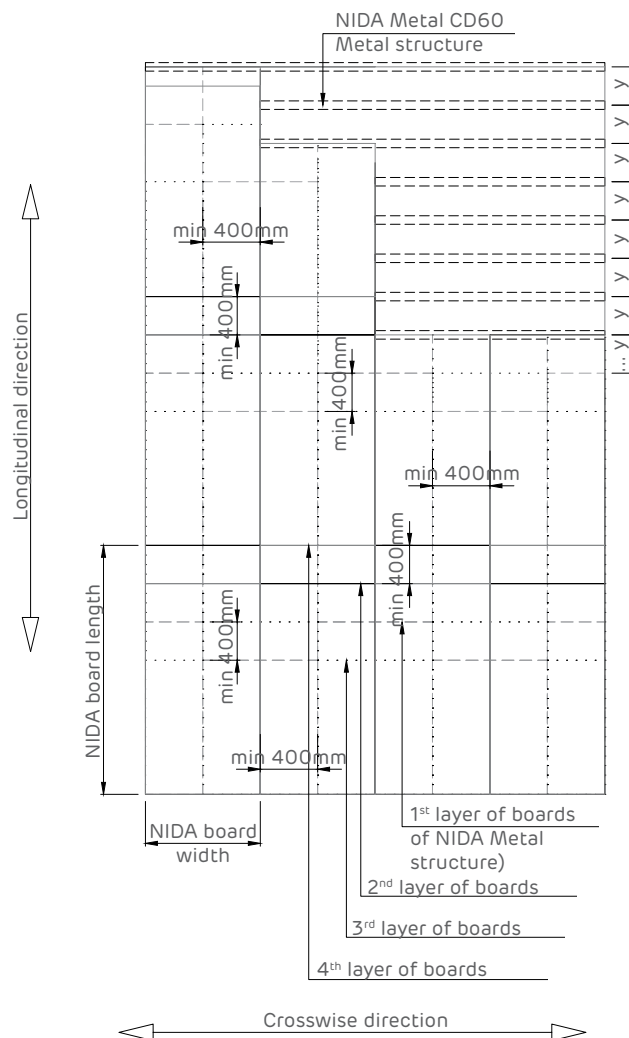
## Detail of NIDA Metal CD60 profile extension



### Section S1 - S1



## Board joint staggering System elevation



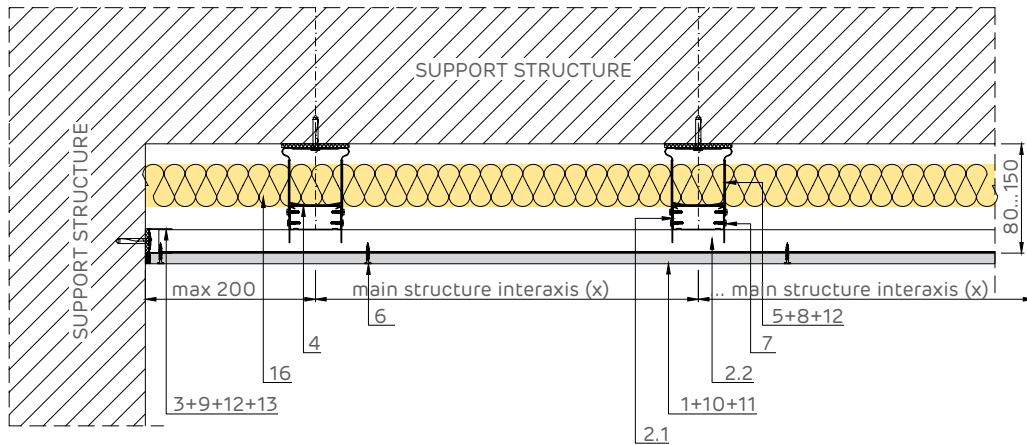
The boards should be mounted with the length perpendicular to the NIDA Metal CD60 profiles. The overlap of the boards lengthwise is minimum 400 mm.'

- |  |   |
|--|---|
| ① 4 x Siniat plasterboard                            | ⑦ Mechanical fixing (*1) , 1 pc/fastening             |
| ② NIDA Metal CD60 profile                            | ⑧ Mechanical fixing (*1), laid out at 500 mm pitch    |
| ③ NIDA Metal UD30 runner profile                     | ⑨ Jointing tape (*2)                                  |
| ④ NIDA System adjustable clamp                       | ⑩ NIDA Profesional jointing plaster                   |
| ⑤ 1. Self-tapping 212 x L1 @ 600 mm                  | ⑪ Single-sided adhesive sealing tape                  |
| 2. Self-tapping 212 x L2 @ 600 mm                    | ⑫ Joint treated with NIDA Boardfix                    |
| 3. Self-tapping 212 x L3 @ 600 mm                    | ⑬ 1. 4 x Siniat board strip                           |
| 4. Self-tapping 212 x L4 @ 300 mm                    | 2. 1 x Siniat board strip, pre-mounted with 212 screw |
| ⑥ Attachment with adjustable clamp - NIDA Metal CD60 | ⑭ Corner protection profile                           |
| 2 x 2 self-drilling 4.2x13 FLAT HEAD                 | ⑮ Mineral wool (*3)                                   |

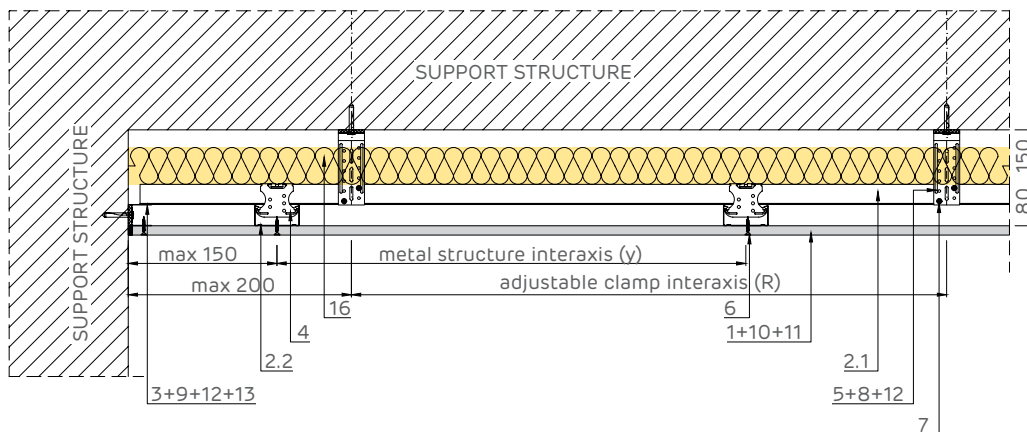


## NIDA System P1.S2.CD/UD.Br: NIDA System suspended ceiling, single layer on double structure with adjustable clamps

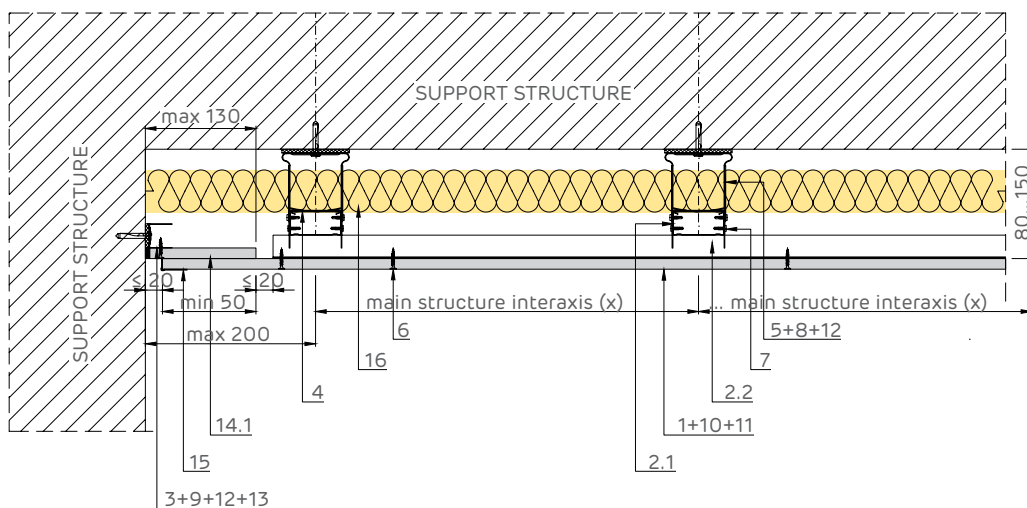
Rigid jointing with sturdy item  
Cross section



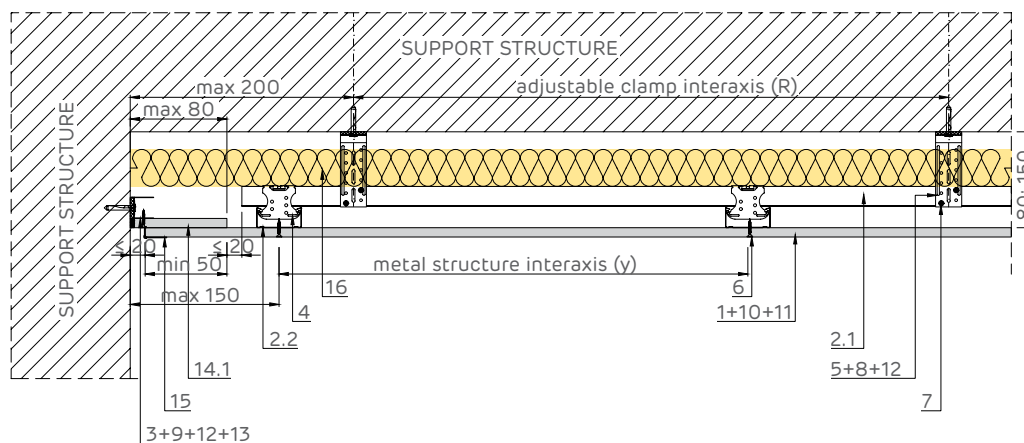
Rigid jointing with sturdy item  
Longitudinal section



Sliding joint with sturdy items  
Cross section



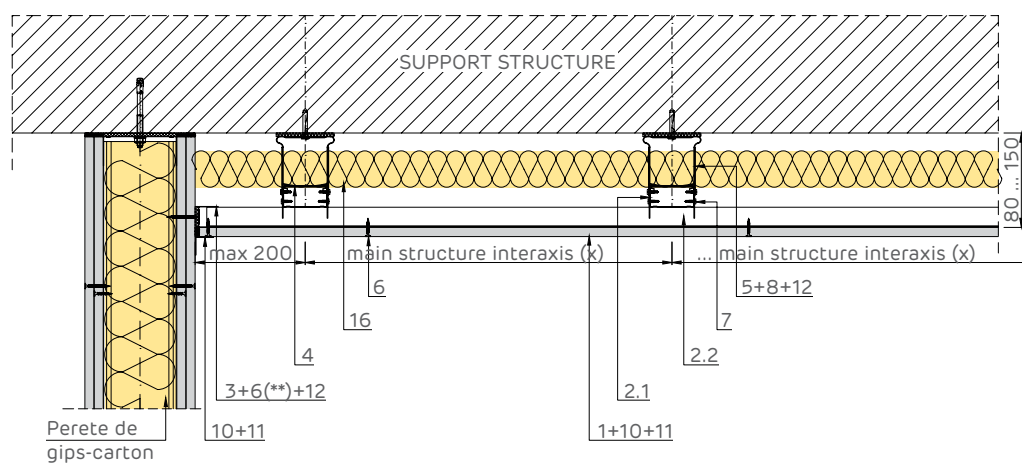
## Sliding jointing with sturdy item Longitudinal section



### NOTE:

(\*\*) For proper fastening of the board strips, the NIDA Metal UD30 profile can be replaced by NIDA Metal UW50.

## Jointing with plasterboard wall Cross section

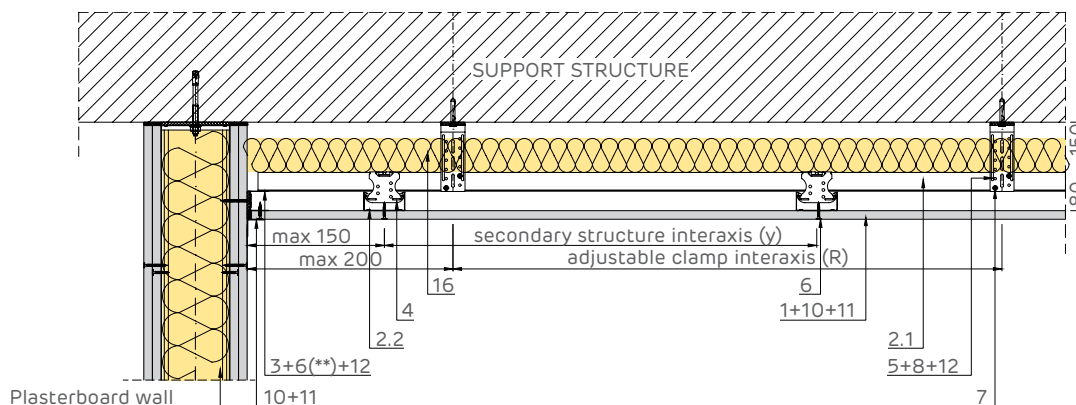


### NOTE:

(\*\*) The self-tapping screw will be fixed to the metal structure of the plasterboard wall, choosing the length according to the thickness of the wall package (thickness of the wall board layers).

- |  |   |
|--|---|
| ① 1 x Siniat plasterboard  | ⑨ Mechanical fixing (*1), laid out at 500 mm pitch                                  |
| ② 1. NIDA Metal CD60 main profile<br>2. NIDA Metal CD60 secondary profile                    | ⑩ Jointing tape (*2)  |
| ③ NIDA Metal UD30 runner profile   | ⑪ NIDA Profesional jointing plaster   |
| ④ NIDA Metal CD double joint connection  | ⑫ Single-sided adhesive sealing tape  |
| ⑤ NIDA System adjustable clamp   | ⑬ Joint treated with NIDA Boardfix  |
| ⑥ Self-tapping 212 x L1 @ 300 mm   | ⑭ 1. 1 x Siniat board strip<br>2. 1 x Siniat board strip pre-mounted with 212 screw |
| ⑦ Attachment with adjustable clamp - NIDA Metal CD60<br>2 x 2 self-drilling 4.2x13 FLAT HEAD | ⑮ Corner protection profile   |
| ⑧ Mechanical fixing (*1), 1 pc/fastening   | ⑯ Mineral wool (*3)   |

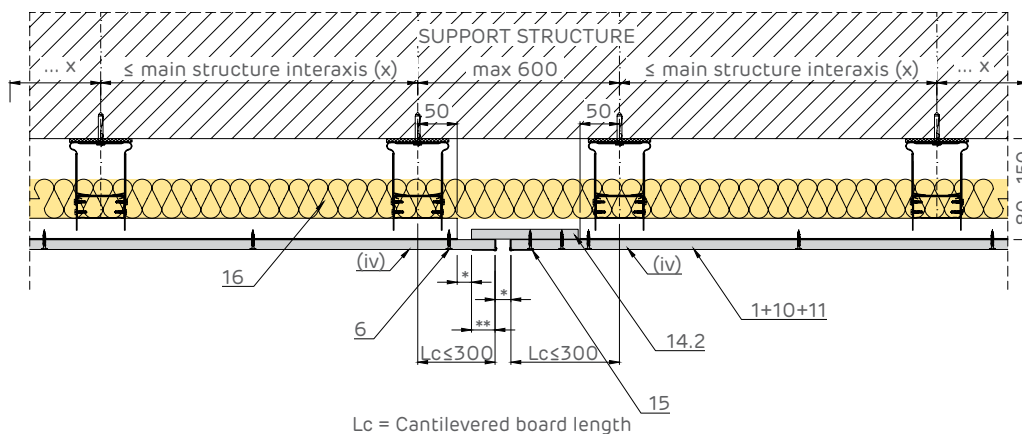
## Joining with plasterboard wall Longitudinal section



**NOTE:**

(\*\*) The self-tapping screw will be fixed to the metal structure of the plasterboard wall, choosing the length according to the thickness of the wall package (thickness of the wall board layers).

## Expansion joint Cross section



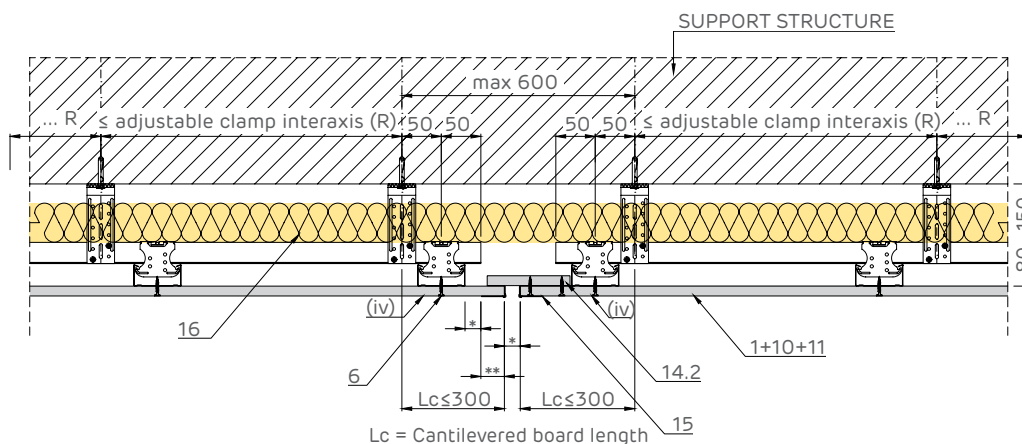
**NOTE:**

(iv) For the last plasterboard layer, it is not acceptable to make a joint in front of the specified profile; The joint should also be placed in front of the structural joints;

\* The size of the joint will also be determined by the size of the structural joint, but not less than 20 mm;

\*\* The board overlap will have a minimum size of (\* + 10 mm)

## Expansion joint Longitudinal section



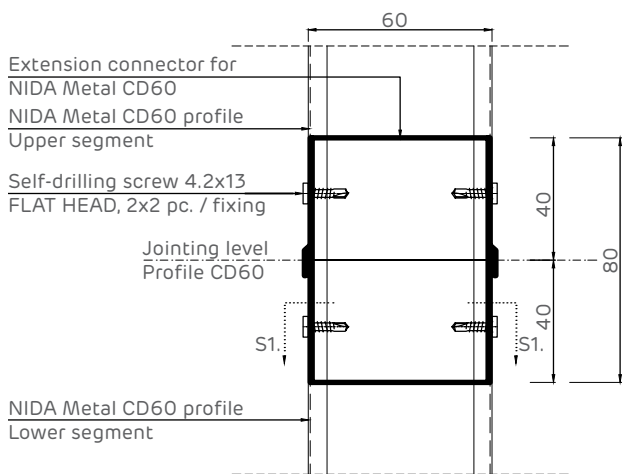
**NOTE:**

(iv) For the last plasterboard layer, it is not acceptable to make a joint in front of the specified profile; The joint should also be placed in front of the structural joints;

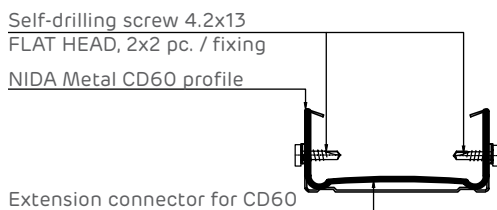
\* The size of the joint will also be determined by the size of the structural joint, but not less than 20 mm;

\*\* The board overlap will have a minimum size of (\* + 10 mm)

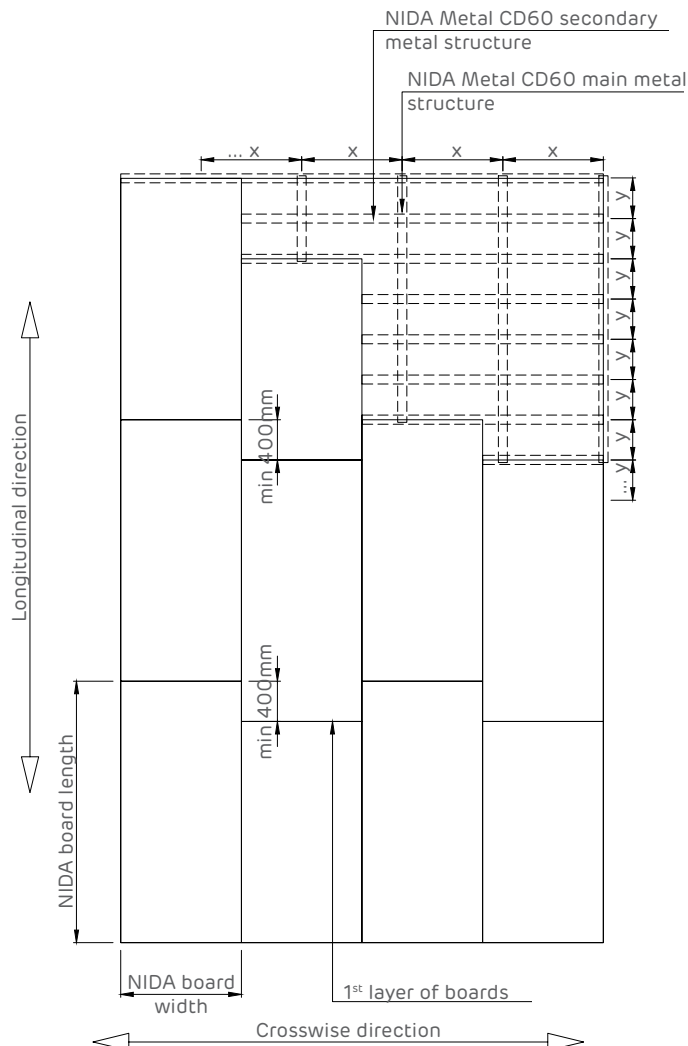
## Detail of NIDA Metal CD60 profile extension



### Section S1 - S1



## Board joint staggering System elevation



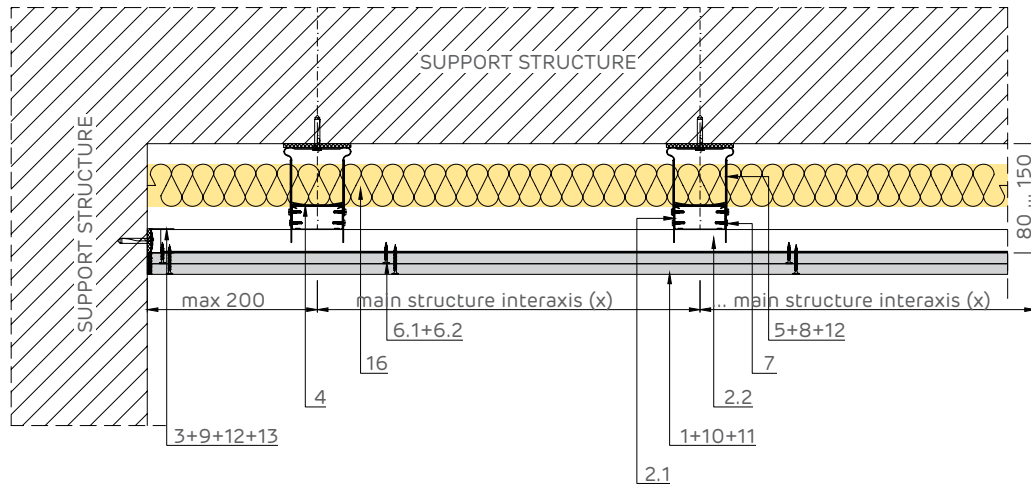
The boards should be mounted with the length perpendicular to the NIDA Metal CD60 profiles. The overlap of the boards lengthwise is minimum 400 mm.

- 1 1 x Siniat plasterboard
- 2 1. NIDA Metal CD60 main profile  
2. NIDA Metal CD60 secondary profile
- 3 NIDA Metal UD30 runner profile
- 4 NIDA Metal CD double joint connection
- 5 NIDA System adjustable clamp
- 6 Self-tapping 212 x L1 @ 300 mm
- 7 Attachment with adjustable clamp - NIDA Metal CD60  
2 x 2 self-drilling 4.2x13 FLAT HEAD
- 8 Mechanical fixing (\*1) , 1 pc/fastening
- 9 Mechanical fixing (\*1), laid out at 500 mm pitch
- 10 Jointing tape (\*2)
- 11 NIDA Profesional jointing plaster
- 12 Single-sided adhesive sealing tape
- 13 Joint treated with NIDA Boardfix
- 14 1. 1 x Siniat board strip  
2. 1 x Siniat board strip pre-mounted with 212 screw
- 15 Corner protection profile
- 16 Mineral wool (\*3)

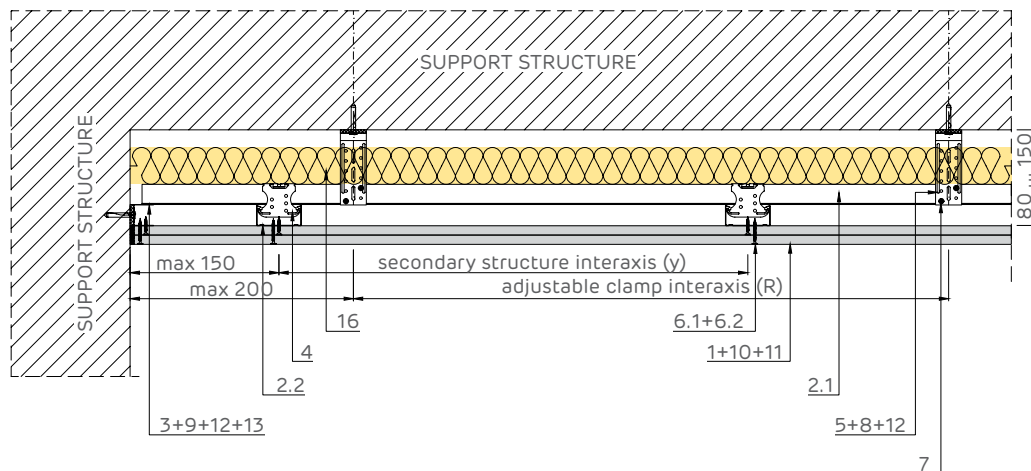
## NIDA System P2.S2.CD/UD.Br:

### NIDA System suspended ceiling double layer on double structure with adjustable clamps

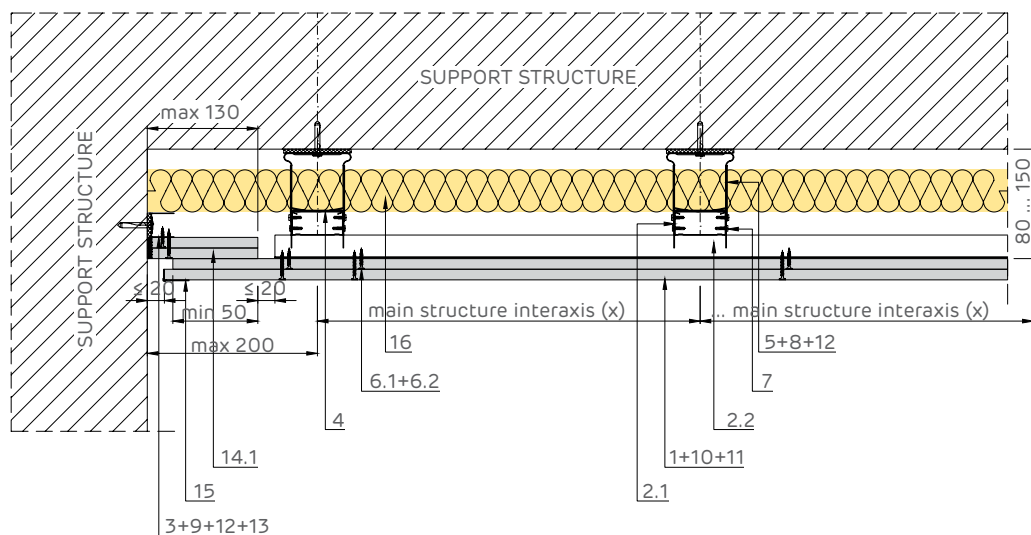
Rigid jointing with sturdy item  
Cross section



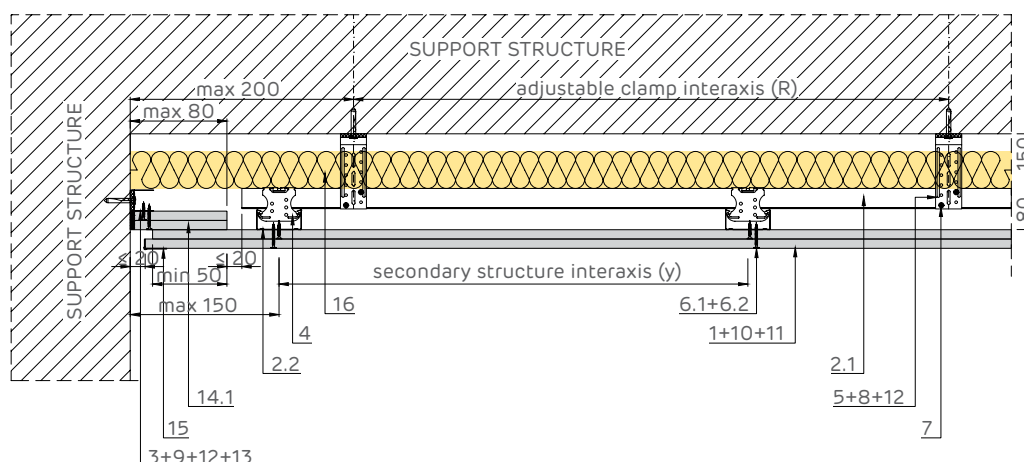
Rigid jointing with sturdy item  
Longitudinal section



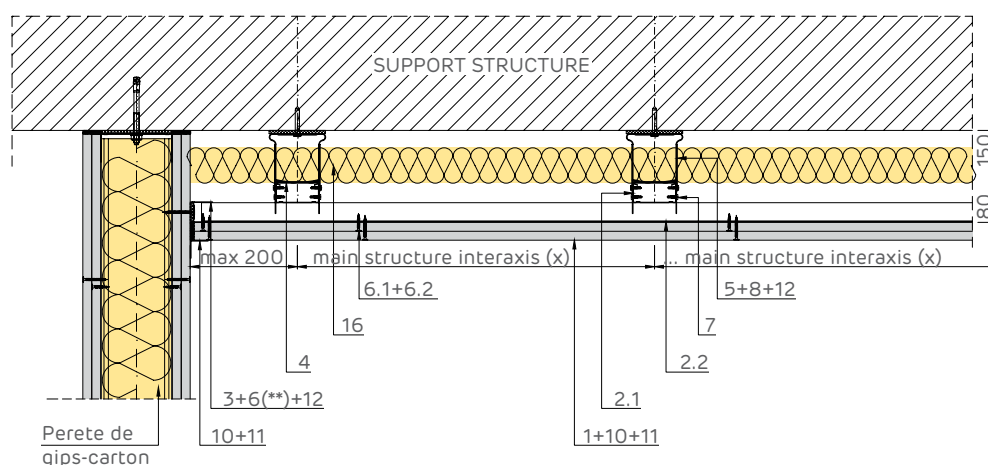
Sliding joint with sturdy items  
Cross section



## Sliding jointing with sturdy item Longitudinal section



## Jointing with plasterboard wall Cross section



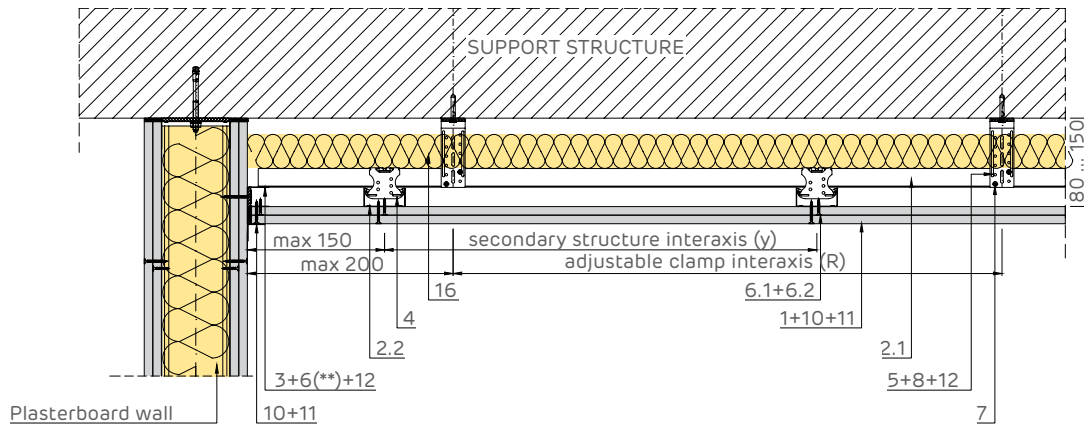
### NOTE:

(\*\*) The self-tapping screw will be fixed to the metal structure of the plasterboard wall, choosing the length according to the thickness of the wall package (thickness of the wall board layers).

- |  |   |
|--|---|
| ① 2 x Siniat plasterboard  | ⑧ Mechanical fixing (*1) , 1 pc/fastening   |
| ② 1. NIDA Metal CD60 main profile<br>2. NIDA Metal CD60 secondary profile                    | ⑨ Mechanical fixing (*1), laid out at 500 mm pitch                                  |
| ③ NIDA Metal UD30 runner profile   | ⑩ Jointing tape (*2)  |
| ④ NIDA Metal CD double joint connection  | ⑪ NIDA Profesional jointing plaster   |
| ⑤ NIDA System adjustable clamp   | ⑫ Single-sided adhesive sealing tape  |
| ⑥ 1. Self-tapping 212 x L1 @ 600 mm<br>2. Self-tapping 212 x L2 @ 300 mm                     | ⑬ Joint treated with NIDA Boardfix  |
| ⑦ Attachment with adjustable clamp - NIDA Metal CD60<br>2 x 2 self-drilling 4.2x13 FLAT HEAD | ⑭ 1. 2 x Siniat board strip<br>2. 1 x Siniat board strip pre-mounted with 212 screw |
|  | ⑮ Corner protection profile   |
|  | ⑯ Mineral wool (*3)   |



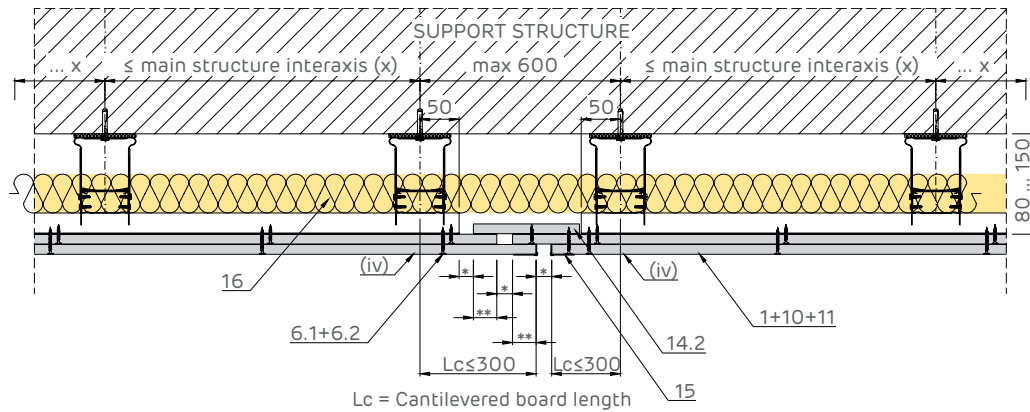
### Joining with plasterboard wall Longitudinal section



**NOTE:**

(\*\*) The self-tapping screw will be fixed to the metal structure of the plasterboard wall, choosing the length according to the thickness of the wall package (thickness of the wall board layers).

### Expansion joint Cross section



**NOTE:**

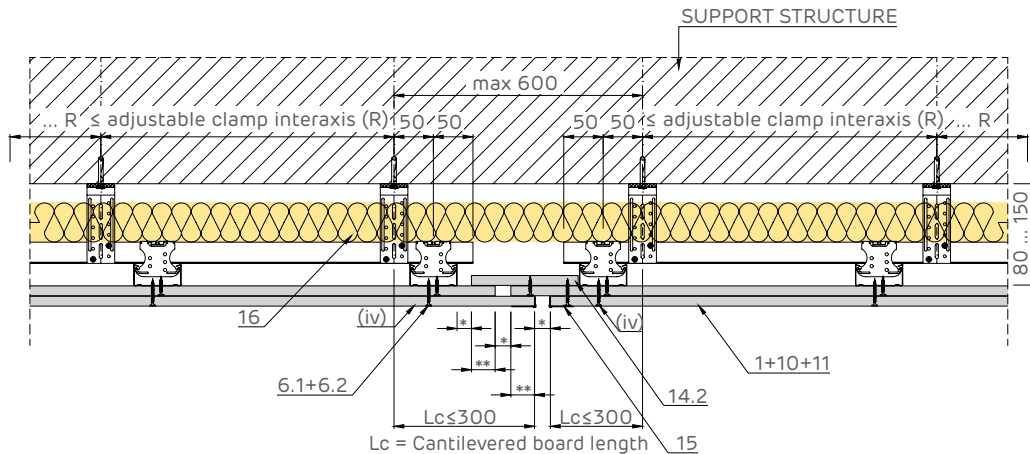
(iv) For the last plasterboard layer, it is not acceptable to make a joint in front of the specified profile;

The joint should also be placed in front of the structural joints;

\* The size of the joint will also be determined by the size of the structural joint, but not less than 20 mm;

\*\* The board overlap will have a minimum size of (\* + 10 mm)

### Expansion joint Longitudinal section



**NOTE:**

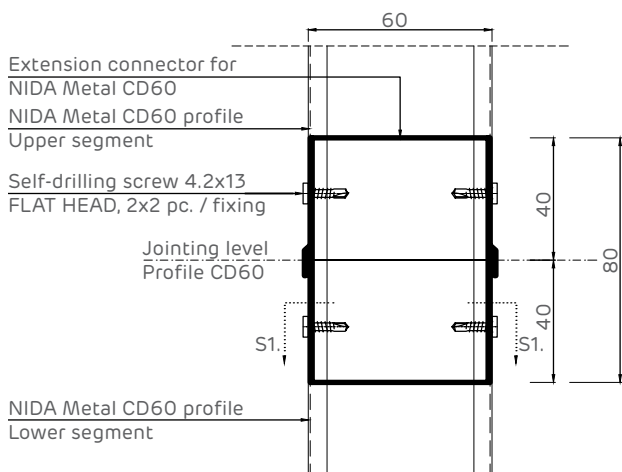
(iv) For the last plasterboard layer, it is not acceptable to make a joint in front of the specified profile;

The joint should also be placed in front of the structural joints;

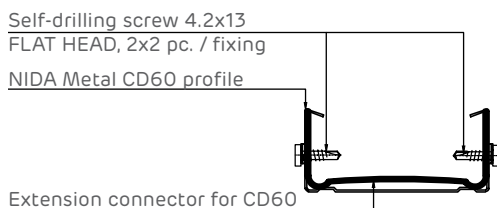
\* The size of the joint will also be determined by the size of the structural joint, but not less than 20 mm;

\*\* The board overlap will have a minimum size of (\* + 10 mm)

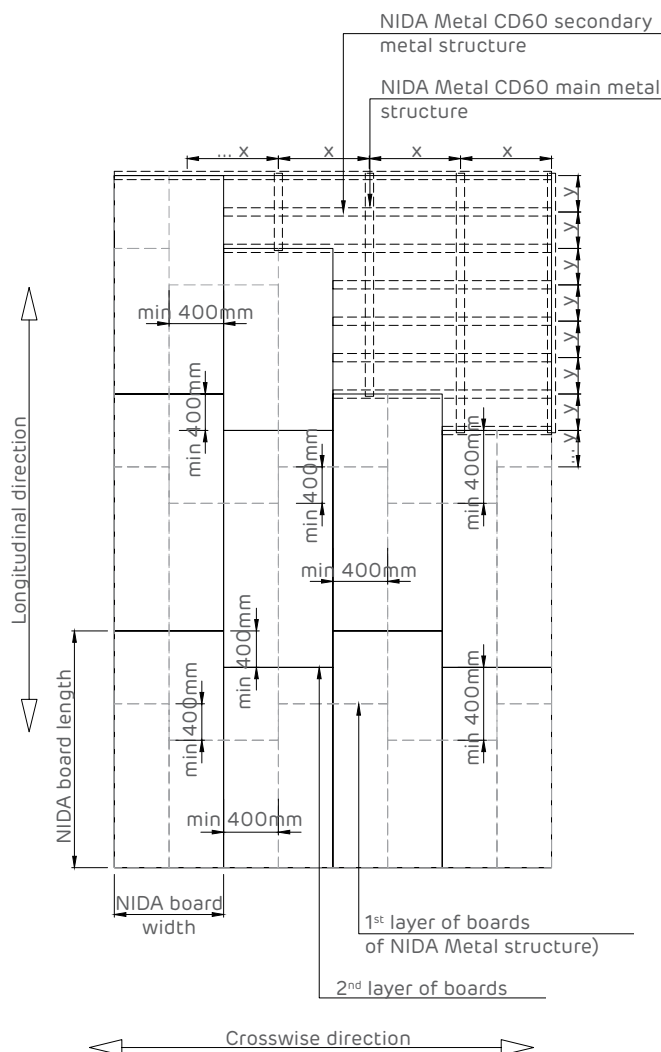
Detail of NIDA Metal CD60 profile extension



Section S1 - S1



Board joint staggering System elevation



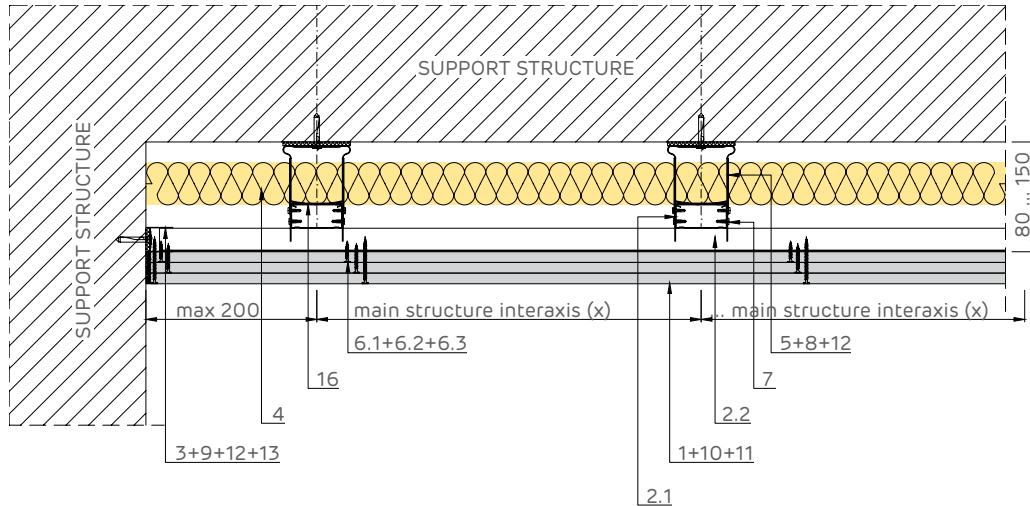
The boards should be mounted with the length perpendicular to the NIDA Metal CD profiles. The overlap of the boards lengthwise is minimum 400 mm.

- ① 2 x Siniat plasterboard
- ② 1. NIDA Metal CD60 main profile  
2. NIDA Metal CD60 secondary profile
- ③ NIDA Metal UD30 runner profile
- ④ NIDA Metal CD double joint connection
- ⑤ NIDA System adjustable clamp
- ⑥ 1. Self-tapping 212 x L1 @ 600 mm  
2. Self-tapping 212 x L2 @ 300 mm
- ⑦ Attachment with adjustable clamp - NIDA Metal CD60  
2 x 2 self-drilling 4.2x13 FLAT HEAD
- ⑧ Mechanical fixing (\*1) , 1 pc/fastening
- ⑨ Mechanical fixing (\*1), laid out at 500 mm pitch
- ⑩ Jointing tape (\*2)
- ⑪ NIDA Profesional jointing plaster
- ⑫ Single-sided adhesive sealing tape
- ⑬ Joint treated with NIDA Boardfix
- ⑭ 1. 2 x Siniat board strip  
2. 1 x Siniat board strip pre-mounted with 212 screw
- ⑮ Corner protection profile
- ⑯ Mineral wool (\*3)

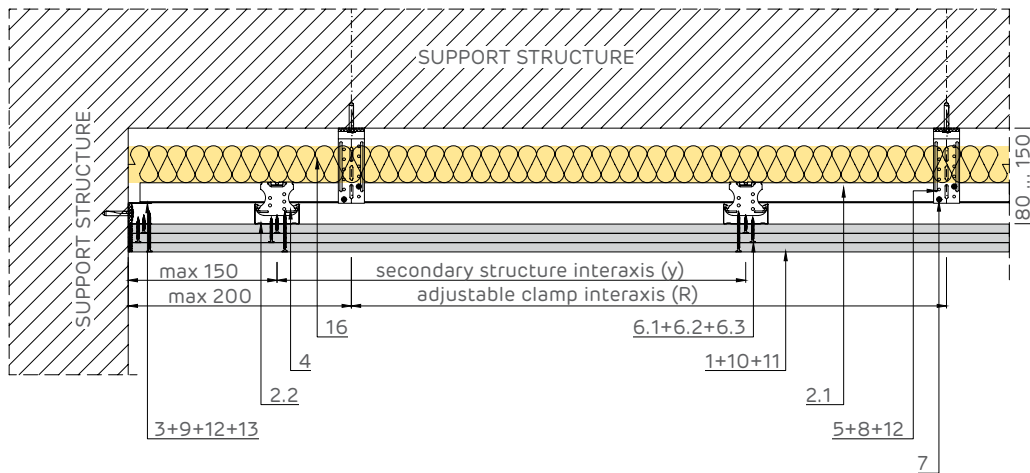
## NIDA System P3.S2.CD/UD.Br:

### NIDA System suspended ceiling triple layer on double structure with adjustable clamps

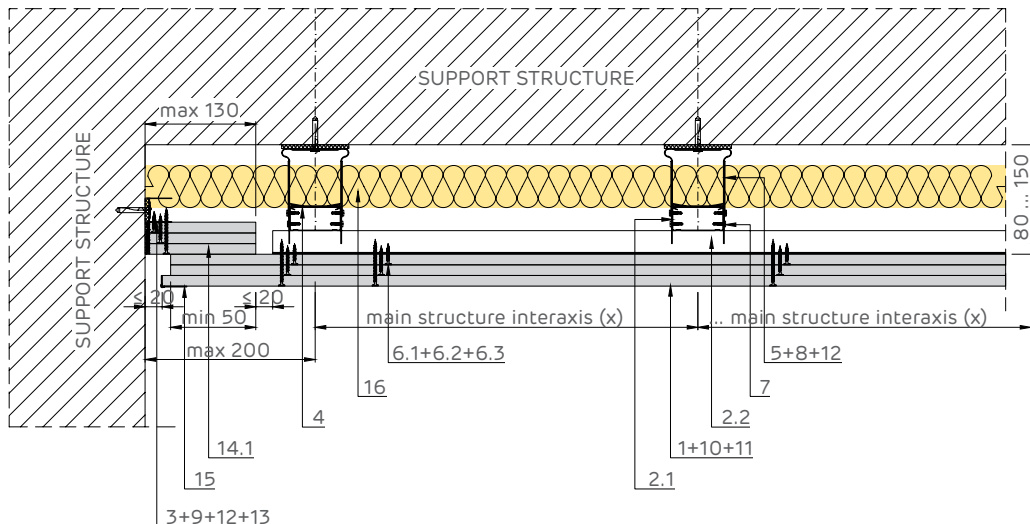
Rigid jointing with sturdy item  
Cross section



Rigid jointing with sturdy item  
Longitudinal section



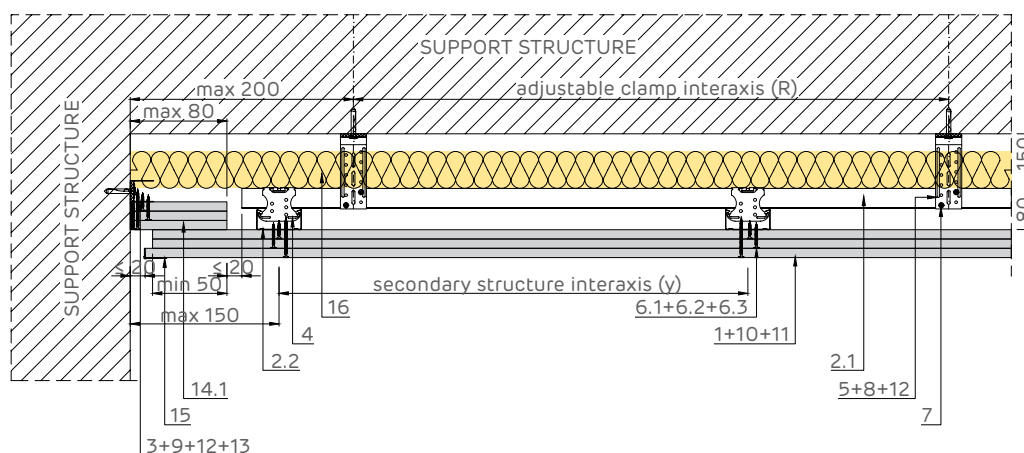
Sliding joint with sturdy items  
Cross section



**NOTE:**

(\*\*) For proper fastening of the board strips, the NIDA Metal UD30 profile can be replaced by NIDA Metal UW50.

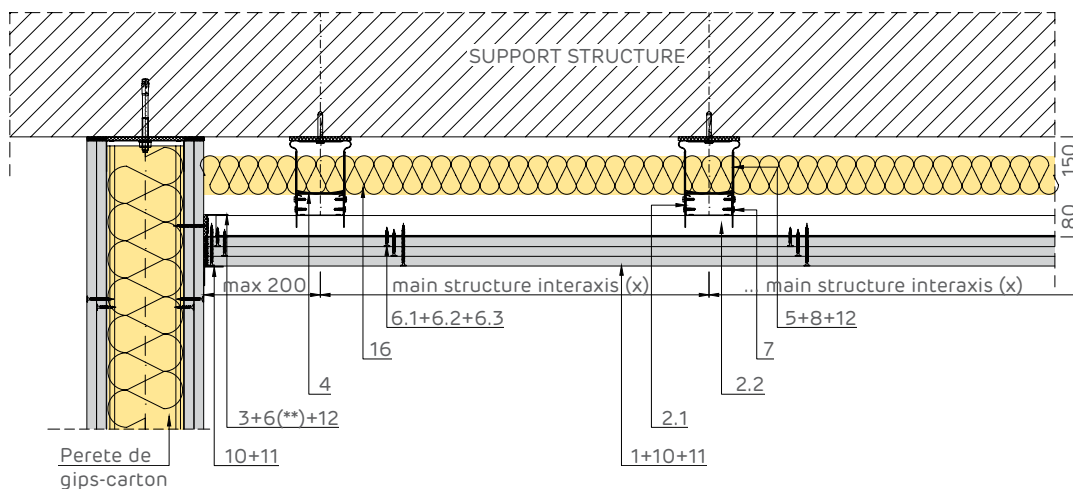
## Sliding jointing with sturdy item Longitudinal section



### NOTE:

(\*\*) For proper fastening of the board strips, the NIDA Metal UD30 profile can be replaced by NIDA Metal UW50.

## Jointing with plasterboard wall Cross section

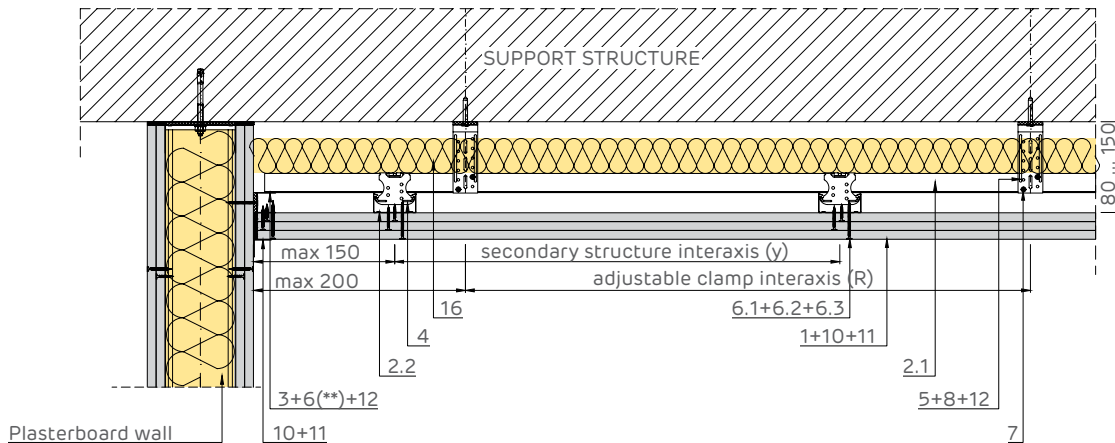


### NOTE:

(\*\*) The self-tapping screw will be fixed to the metal structure of the plasterboard wall, choosing the length according to the thickness of the wall package (thickness of the wall board layers).

- |   |   |
|---|---|
| ① 3 x Siniat plasterboard   | ⑧ Mechanical fixing (*1) , 1 pc/fastening   |
| ② 1. NIDA Metal CD60 main profile<br>2. NIDA Metal CD60 secondary profile                                     | ⑨ Mechanical fixing (*1), laid out at 500 mm pitch                                  |
| ③ NIDA Metal UD30 runner profile  | ⑩ Jointing tape (*2)  |
| ④ NIDA Metal CD double joint connection   | ⑪ NIDA Professional jointing plaster  |
| ⑤ NIDA System adjustable clamp  | ⑫ Single-sided adhesive sealing tape  |
| ⑥ 1. Self-tapping 212 x L1 @ 600 mm<br>2. Self-tapping 212 x L2 @ 600 mm<br>3. Self-tapping 212 x L3 @ 300 mm | ⑬ Joint treated with NIDA Boardfix  |
| ⑦ Attachment with adjustable clamp - NIDA Metal CD60<br>2 x 2 self-drilling 4.2x13 FLAT HEAD                  | ⑭ 1. 3 x Siniat board strip<br>2. 1 x Siniat board strip pre-mounted with 212 screw |
|   | ⑮ Corner protection profile   |
|   | ⑯ Mineral wool (*3)   |

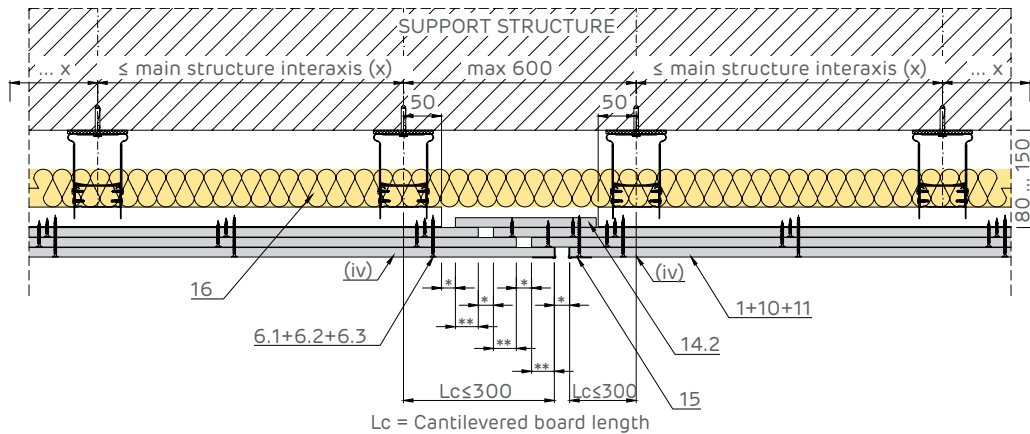
## Joining with plasterboard wall Longitudinal section



### NOTE:

(\*\*) The self-tapping screw will be fixed to the metal structure of the plasterboard wall, choosing the length according to the thickness of the wall package (thickness of the wall board layers).

## Expansion joint Cross section



### NOTE:

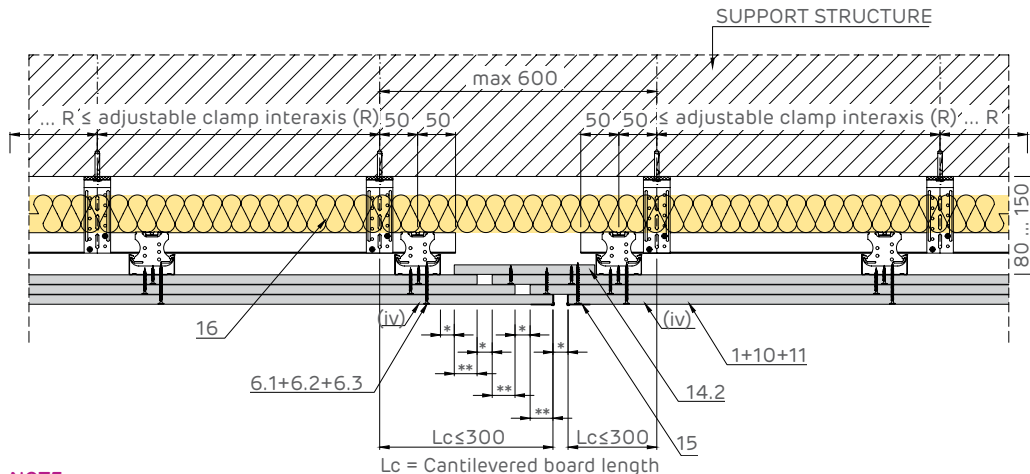
(iv) For the last plasterboard layer, it is not acceptable to make a joint in front of the specified profile;

The joint should also be placed in front of the structural joints;

\* The size of the joint will also be determined by the size of the structural joint, but not less than 20 mm;

\*\* The board overlap will have a minimum size of (\* + 10 mm)

## Expansion joint Longitudinal section



### NOTE:

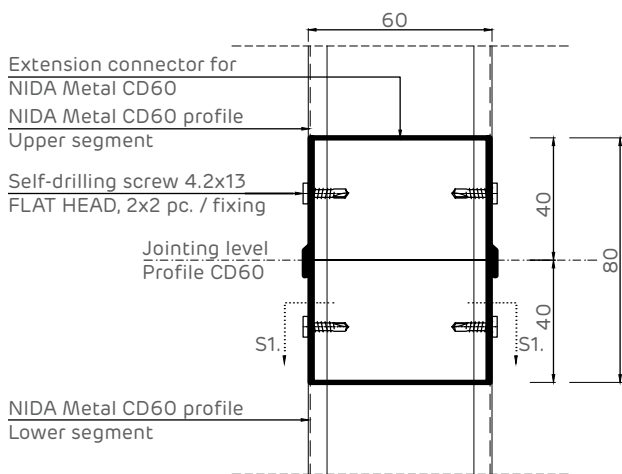
(iv) For the last plasterboard layer, it is not acceptable to make a joint in front of the specified profile;

The joint should also be placed in front of the structural joints;

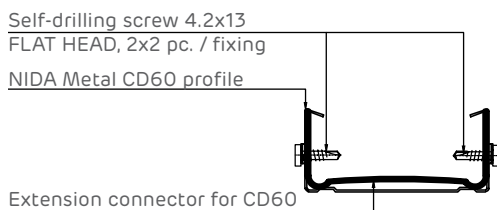
\* The size of the joint will also be determined by the size of the structural joint, but not less than 20 mm;

\*\* The board overlap will have a minimum size of (\* + 10 mm)

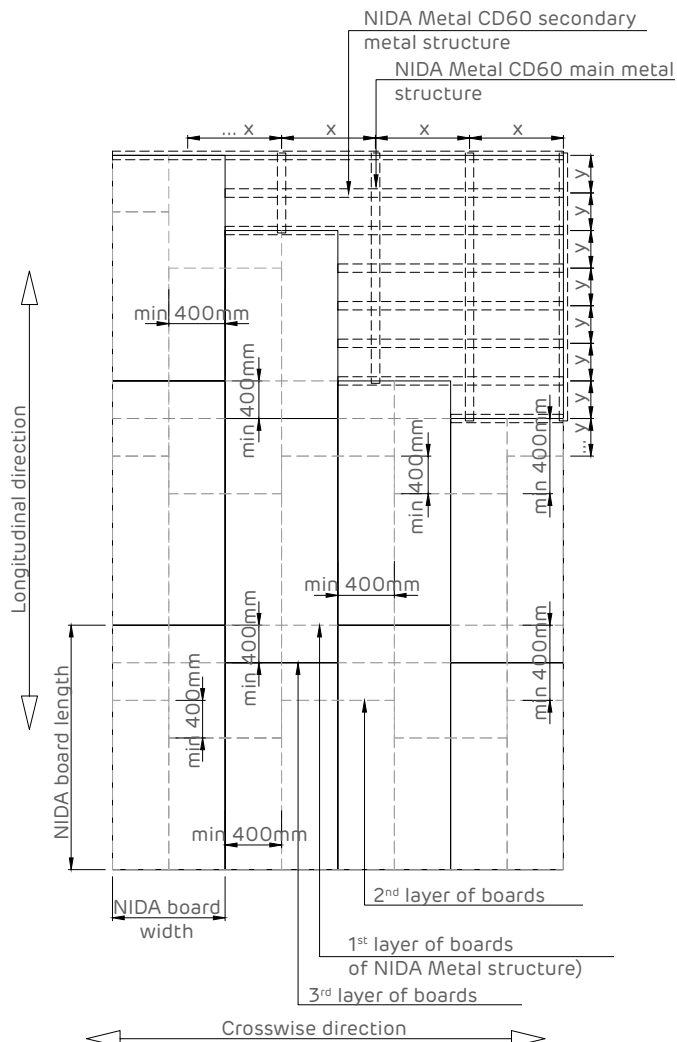
## Detail of NIDA Metal CD60 profile extension



### Section S1 - S1



## Board joint staggering System elevation



The boards should be mounted with the length perpendicular to the NIDA Metal CD60 profiles. The overlap of the boards lengthwise and crosswise is minimum 400 mm.

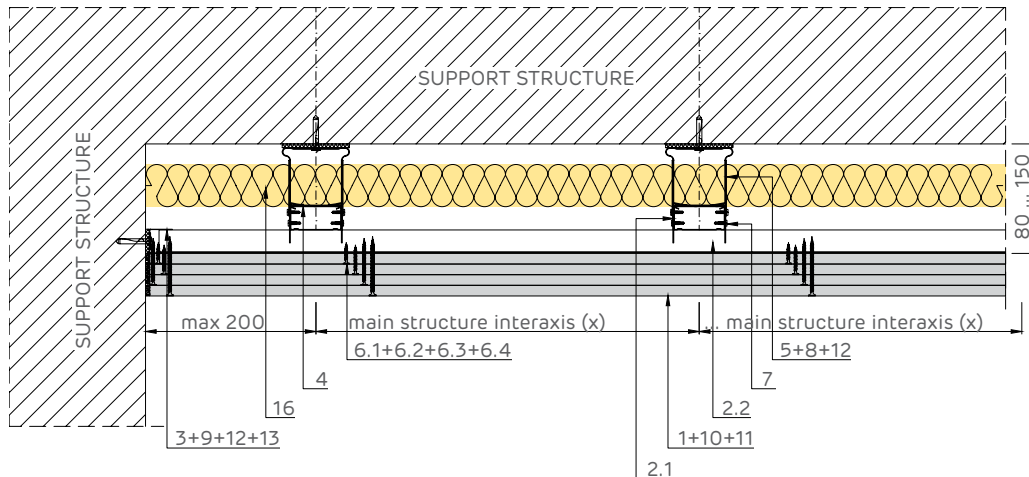
- 1 3 x Siniat plasterboard
- 2 1. NIDA Metal CD60 main profile  
2. NIDA Metal CD60 secondary profile
- 3 NIDA Metal UD30 runner profile
- 4 NIDA Metal CD double joint connection
- 5 NIDA System adjustable clamp
- 6 1. Self-tapping 212 x L1 @ 600 mm  
2. Self-tapping 212 x L2 @ 600 mm  
3. Self-tapping 212 x L3 @ 300 mm
- 7 Attachment with adjustable clamp - NIDA Metal CD60  
2 x 2 self-drilling 4.2x13 FLAT HEAD
- 8 Mechanical fixing (\*1) , 1 pc/fastening
- 9 Mechanical fixing (\*1), laid out at 500 mm pitch
- 10 Jointing tape (\*2)
- 11 NIDA Profesional jointing plaster
- 12 Single-sided adhesive sealing tape
- 13 Joint treated with NIDA Boardfix
- 14 1. 3 x Siniat board strip  
2. 1 x Siniat board strip pre-mounted with 212 screw
- 15 Corner protection profile
- 16 Mineral wool (\*3)



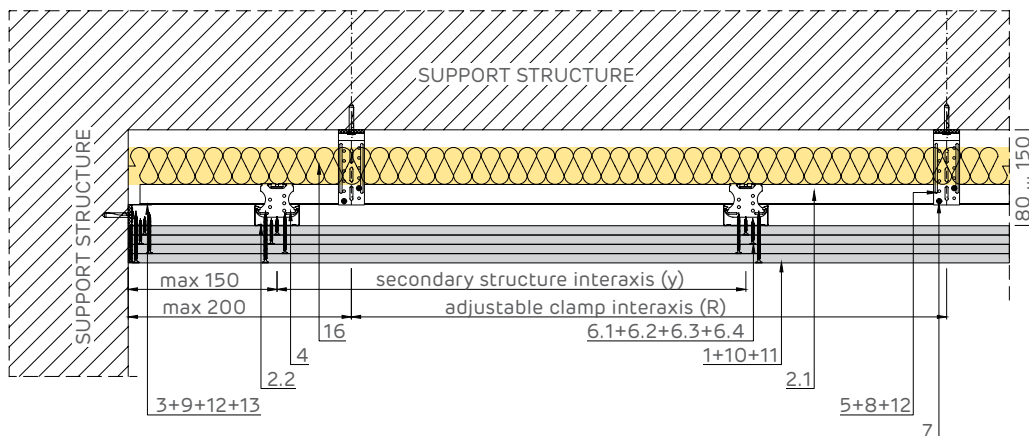
## NIDA System P4.S2.CD/UD.Br:

### NIDA System suspended ceiling fourfold layer on double structure with adjustable clamps

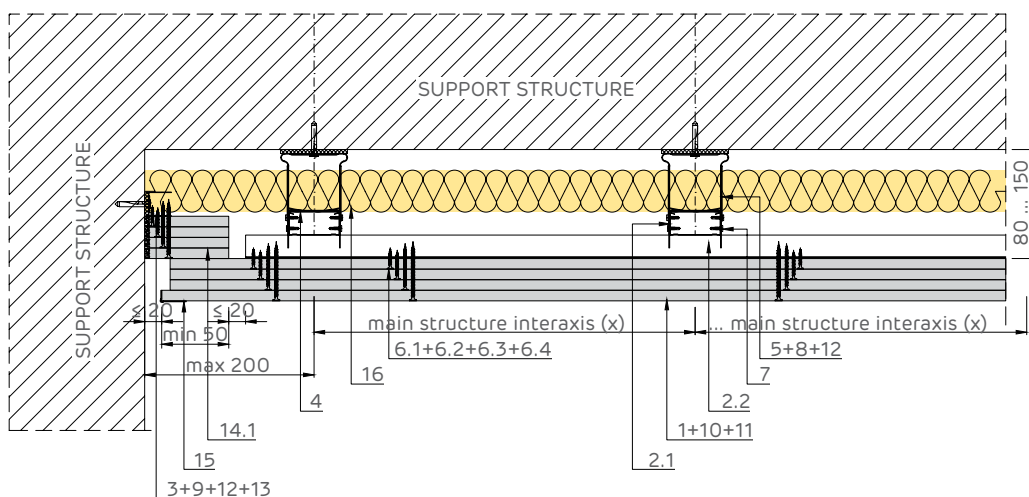
Rigid jointing with sturdy item  
Cross section



Rigid jointing with sturdy item  
Longitudinal section



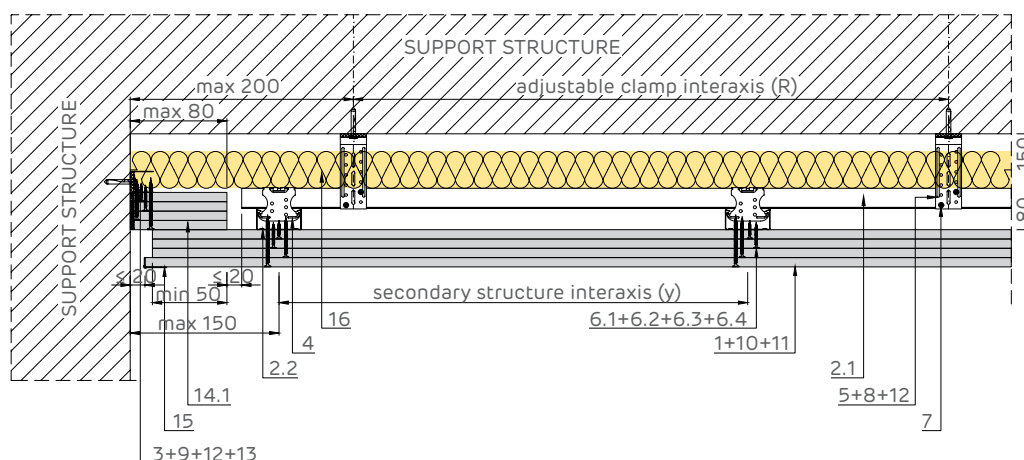
Sliding joint with sturdy items  
Cross section



#### NOTE:

(\*\*) For proper fastening of the board strips, the NIDA Metal UD30 profile can be replaced by NIDA Metal UW50.

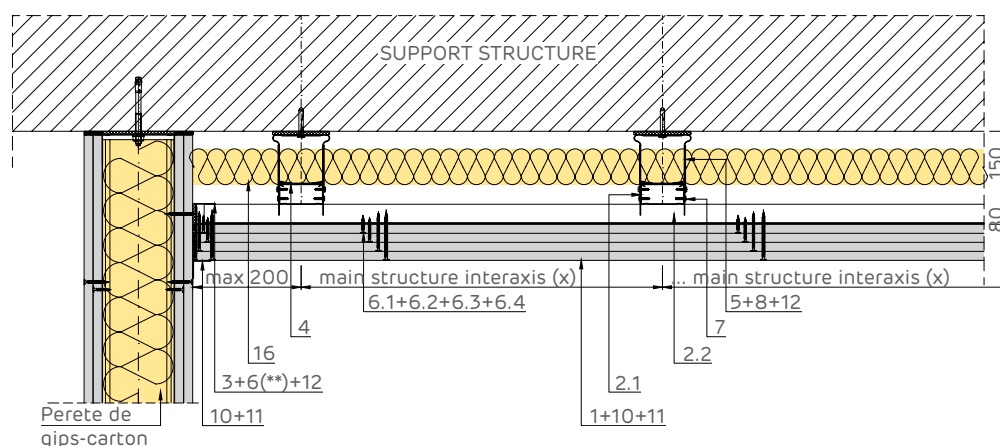
## Sliding jointing with sturdy item Longitudinal section



### NOTE:

(\*\*) For proper fastening of the board strips, the NIDA Metal UD30 profile can be replaced by NIDA Metal UW50.

## Jointing with plasterboard wall Cross section

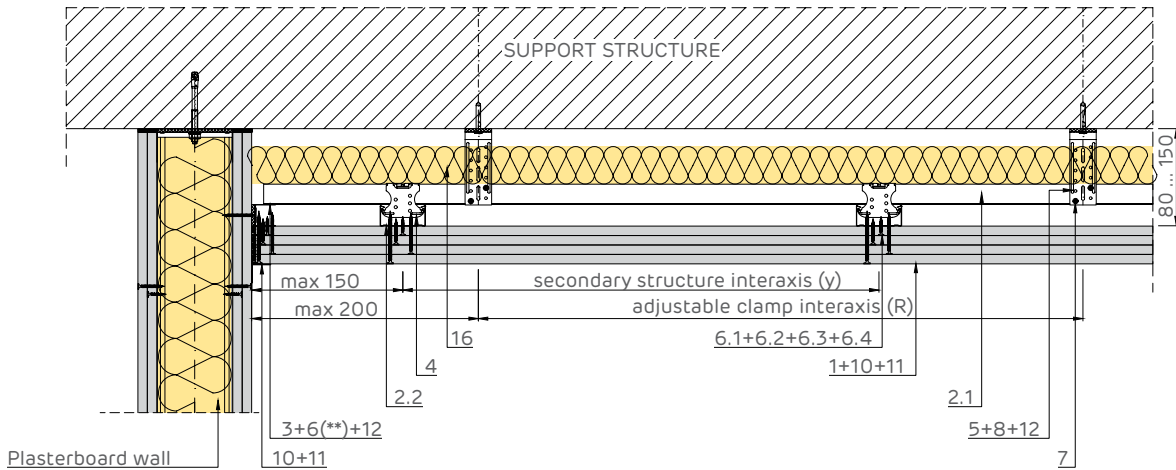


### NOTE:

(\*\*) The self-tapping screw will be fixed to the metal structure of the plasterboard wall, choosing the length according to the thickness of the wall package (thickness of the wall board layers).

- |   |  |    |   |
|---|--|----|---|
| 1 | 4 x Siniat plasterboard  | 8  | Mechanical fixing (*1) , 1 pc/fastening   |
| 2 | 1. NIDA Metal CD60 main profile<br>2. NIDA Metal CD60 secondary profile  | 9  | Mechanical fixing (*1), laid out at 500 mm pitch                                  |
| 3 | NIDA Metal UD30 runner profile   | 10 | Jointing tape (*2)  |
| 4 | NIDA Metal CD double joint connection  | 11 | NIDA Profesional jointing plaster   |
| 5 | NIDA System adjustable clamp   | 12 | Single-sided adhesive sealing tape  |
| 6 | 1. Self-tapping 212 x L1 @ 600 mm<br>2. Self-tapping 212 x L1 @ 600 mm<br>3. Self-tapping 212 x L3 @ 600 mm<br>4. Self-tapping 212 x L4 @ 300 mm | 13 | Joint treated with NIDA Boardfix  |
| 7 | Attachment with adjustable clamp - NIDA Metal CD60<br>2 x 2 self-drilling 4.2x13 FLAT HEAD   | 14 | 1. 4 x Siniat board strip<br>2. 1 x Siniat board strip pre-mounted with 212 screw |
|   |  | 15 | Corner protection profile   |
|   |  | 16 | Mineral wool (*3)   |

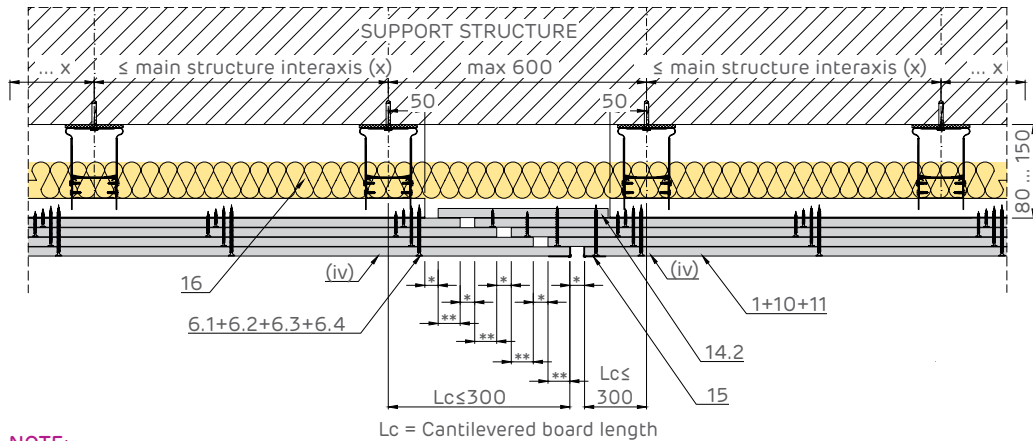
### Joining with plasterboard wall Longitudinal section



**NOTE:**

(\*\*) The self-tapping screw will be fixed to the metal structure of the plasterboard wall, choosing the length according to the thickness of the wall package (thickness of the wall board layers).

### Expansion joint Cross section



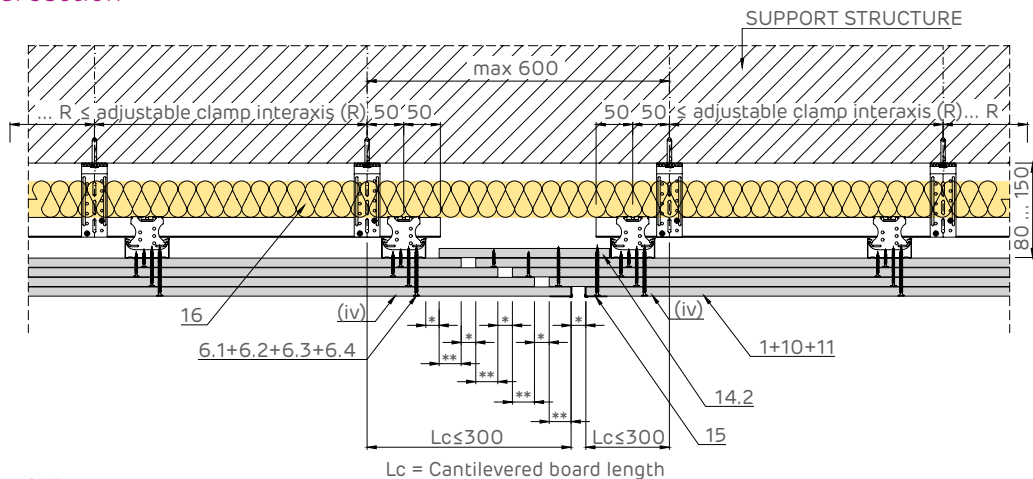
**NOTE:**

(iv) For the last plasterboard layer, it is not acceptable to make a joint in front of the specified profile; The joint should also be placed in front of the structural joints;

\* The size of the joint will also be determined by the size of the structural joint, but not less than 20 mm;

\*\* The board overlap will have a minimum size of (\* + 10 mm)

### Expansion joint Longitudinal section



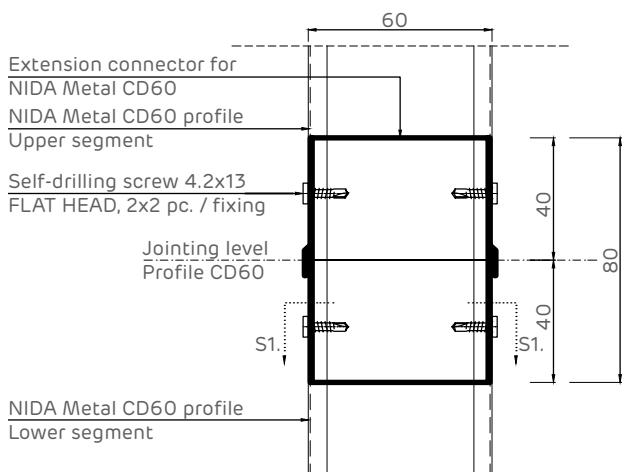
**NOTE:**

(iv) For the last plasterboard layer, it is not acceptable to make a joint in front of the specified profile; The joint should also be placed in front of the structural joints;

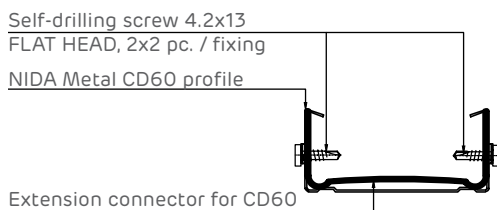
\* The size of the joint will also be determined by the size of the structural joint, but not less than 20 mm;

\*\* The overlap of boards should have a minimum size of (\* + 10 mm).

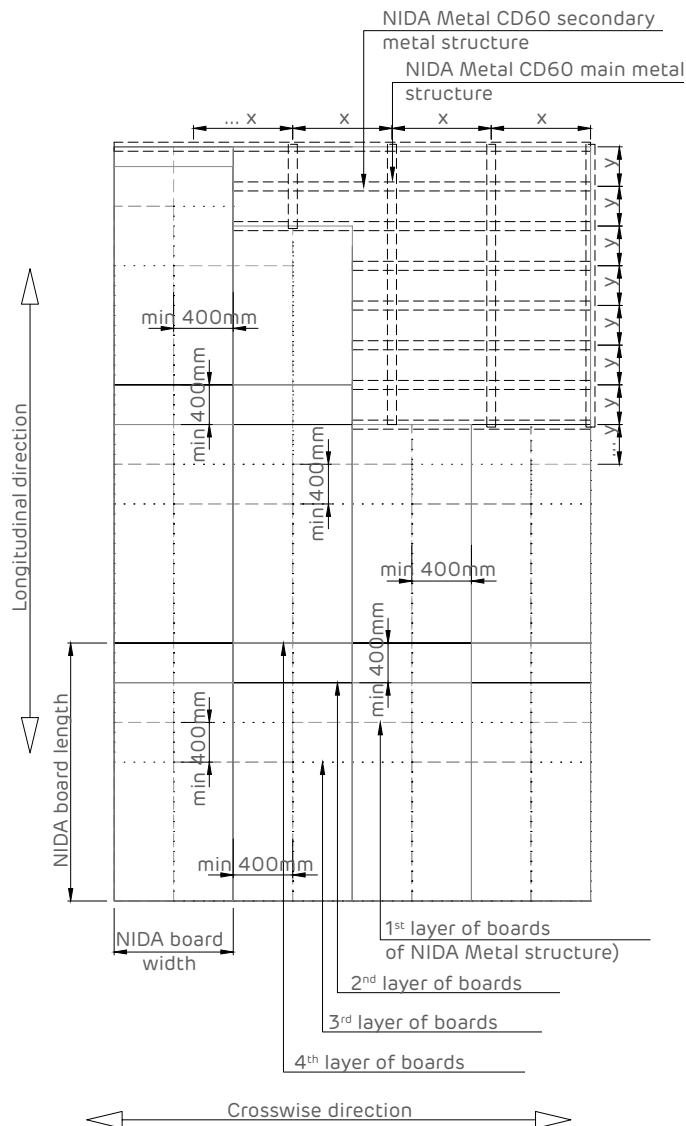
## Detail of NIDA Metal CD60 profile extension



### Section S1 - S1



## Board joint staggering System elevation

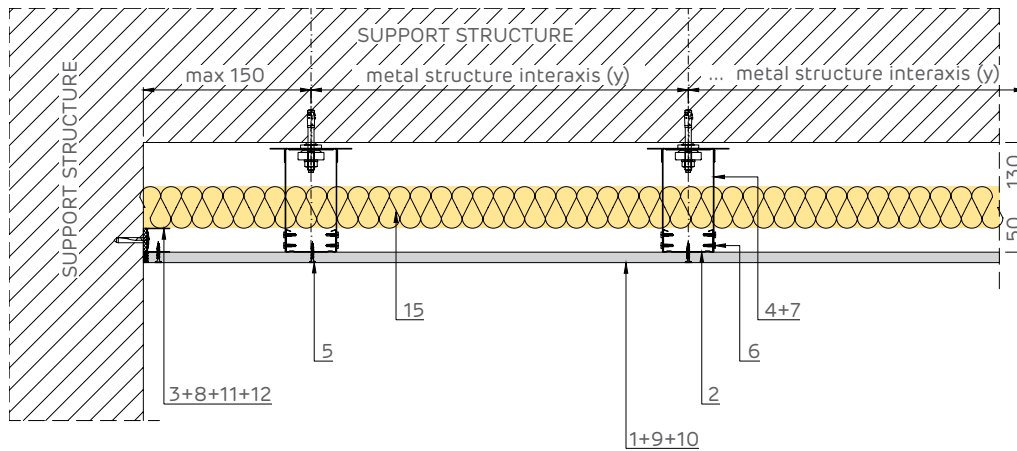


The boards should be mounted with the length perpendicular to the NIDA Metal CD60 profiles. The overlap of the boards lengthwise is minimum 400 mm.'

- 1 4 x Siniat plasterboard
- 2 1. NIDA Metal CD60 main profile  
2. NIDA Metal CD60 secondary profile
- 3 NIDA Metal UD30 runner profile
- 4 NIDA Metal CD double joint connection
- 5 NIDA System adjustable clamp
- 6 1. Self-tapping 212 x L1 @ 600 mm  
2. Self-tapping 212 x L2 @ 600 mm  
3. Self-tapping 212 x L3 @ 600 mm  
4. Self-tapping 212 x L4 @ 300 mm
- 7 Attachment with adjustable clamp - NIDA Metal CD60  
2 x 2 self-drilling 4.2x13 FLAT HEAD
- 8 Mechanical fixing (\*1) , 1 pc/fastening
- 9 Mechanical fixing (\*1), laid out at 500 mm pitch
- 10 Jointing tape (\*2)
- 11 NIDA Profesional jointing plaster
- 12 Single-sided adhesive sealing tape
- 13 Joint treated with NIDA Boardfix
- 14 1. 4 x Siniat board strip  
2. 1 x Siniat board strip pre-mounted with 212 screw
- 15 Corner protection profile
- 16 Mineral wool (\*3)

## NIDA System P1.S1.CD/UD.Ba: NIDA System suspended ceiling, single layer on single structure with acoustic clamps

Rigid jointing with sturdy item  
Cross section

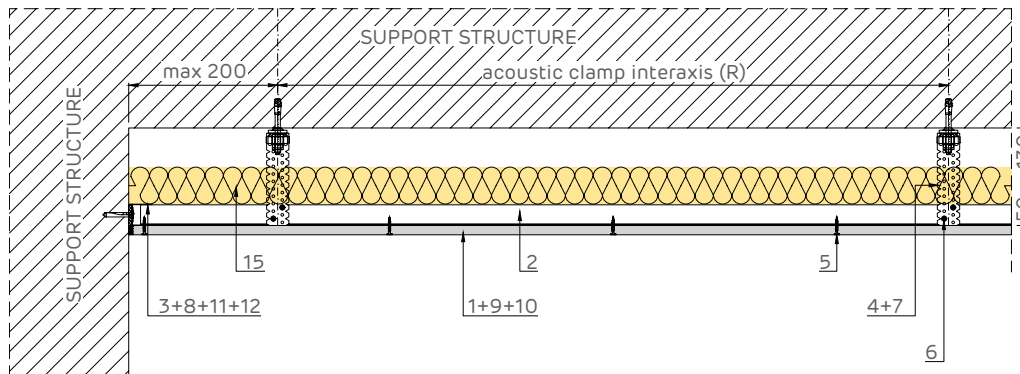


**NOTE:**

(\*1) the following criteria should be taken into account when choosing the type of mechanical fixing for the acoustic clamp:

- The minimum diameter of the fixing is 8 mm
- The thickness of the fixing package (tfix) is 25 mm

Rigid jointing with sturdy item  
Longitudinal section

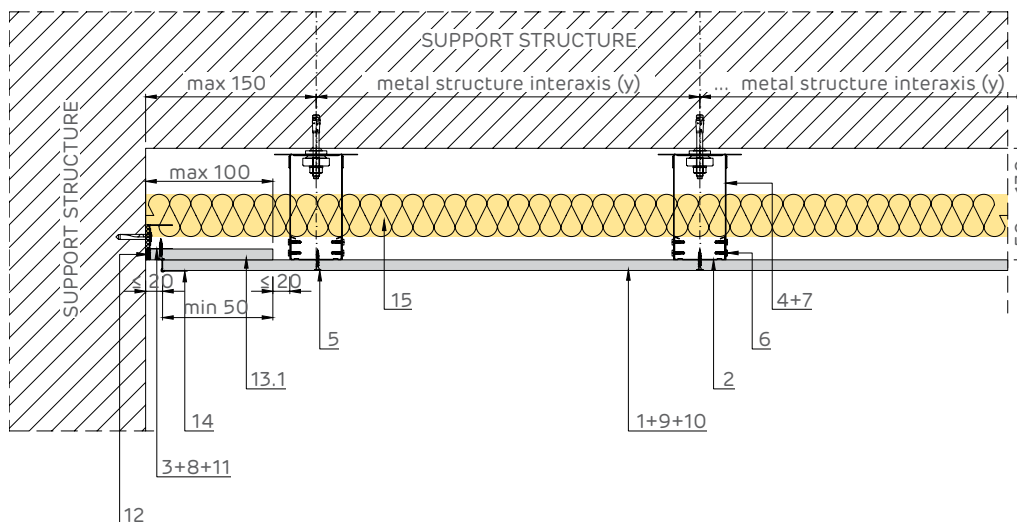


**NOTE:**

(\*1) the following criteria should be taken into account when choosing the type of mechanical fixing for the acoustic clamp:

- The minimum diameter of the fixing is 8 mm
- The thickness of the fixing package (tfix) is 25 mm

Sliding jointing with sturdy item  
Cross section

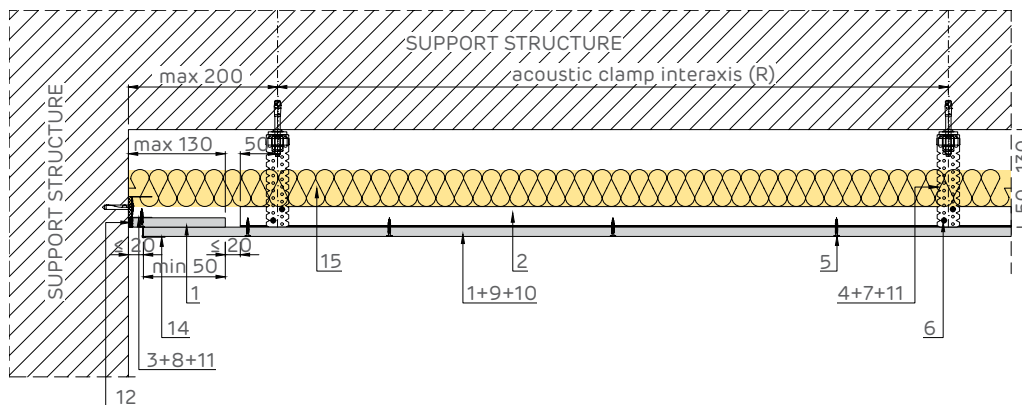


**NOTE:**

(\*1) the following criteria should be taken into account when choosing the type of mechanical fixing for the acoustic clamp:

- The minimum diameter of the fixing is 8 mm
- The thickness of the fixing package (tfix) is 25 mm

## Sliding jointing with sturdy item Longitudinal section

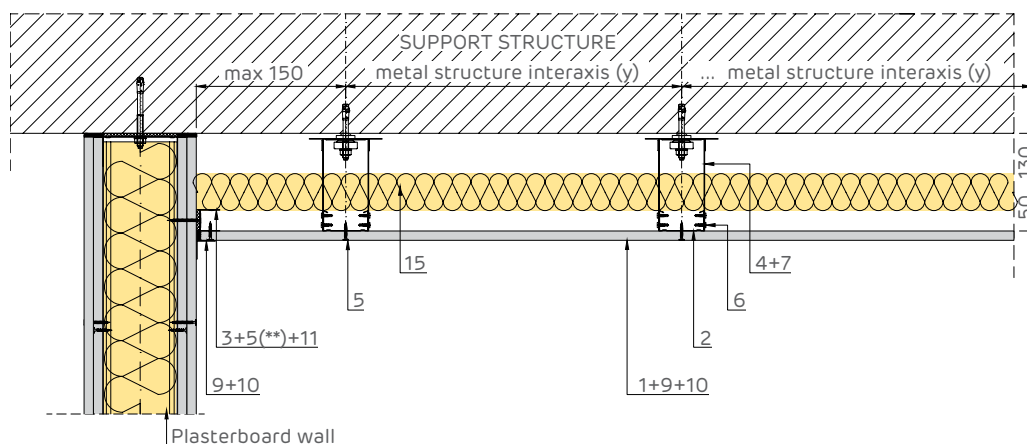


### NOTE:

(\*1) the following criteria should be taken into account when choosing the type of mechanical fixing for the acoustic clamp:

- The minimum diameter of the fixing is 8 mm
- The thickness of the fixing package (tfix) is 25 mm

## Jointing with plasterboard wall Cross section



### NOTE:

(\*\*) The self-tapping screw will be fixed to the metal structure of the plasterboard wall, choosing the length according to the thickness of the wall package (thickness of the wall board layers).

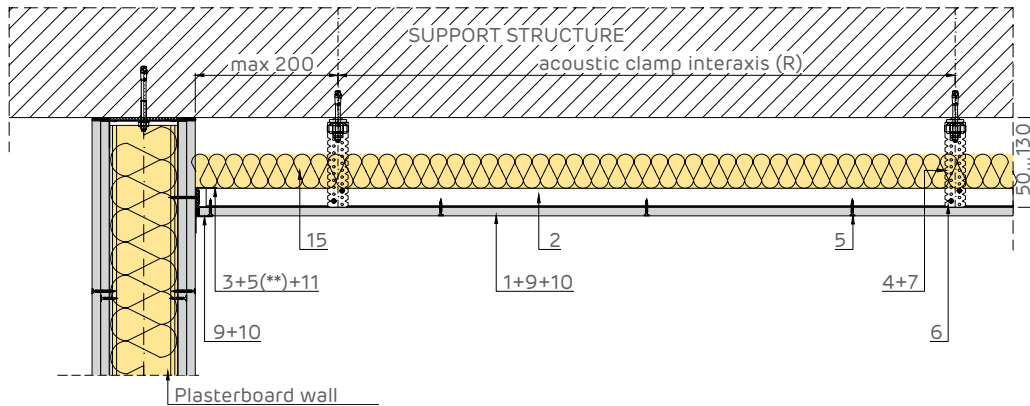
(\*1) the following criteria should be taken into account when choosing the type of mechanical fixing for the acoustic clamp:

- The minimum diameter of the fixing is 8 mm
- The thickness of the fixing package (tfix) is 25 mm

- |   |  |    |  |
|---|--|----|--|
| 1 | 1 x Siniat plasterboard  | 9  | Jointing tape (*2)                                   |
| 2 | NIDA Metal CD60 profile  | 10 | NIDA Profesional jointing plaster                    |
| 3 | NIDA Metal UD30 runner profile   | 11 | Single-sided adhesive sealing tape                   |
| 4 | NIDA System acoustic clamp   | 12 | Joint treated with NIDA Boardfix                     |
| 5 | Self-tapping 212 x L1 @ 300 mm   | 13 | 1. 1 x Siniat board strip                            |
| 6 | Attachment of acoustic clamp - NIDA Metal CD60<br>2 x 2 self-drilling 4.2x13 FLAT HEAD |    | 2. 1 x Siniat board strip pre-mounted with 212 screw |
| 7 | Mechanical fixing (*1), 1 pc/fastening   | 14 | Corner protection profile                            |
| 8 | Mechanical fixing (*1), laid out at 500 mm pitch                                       | 15 | Mineral wool (*3)                                    |



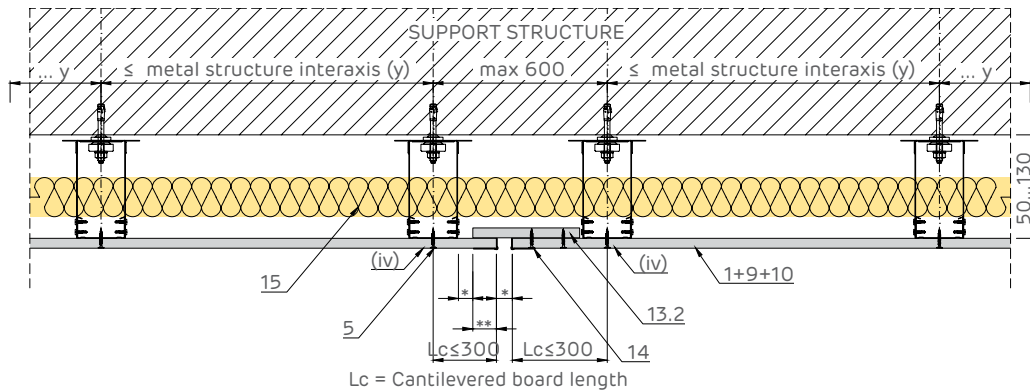
## Joining with plasterboard wall Longitudinal section



### NOTE:

- (\*\*) The self-tapping screw will be fixed to the metal structure of the plasterboard wall, choosing the length according to the thickness of the wall package (thickness of the wall board layers).  
 (\*) the following criteria should be taken into account when choosing the type of mechanical fixing for the acoustic clamp:  
 - The minimum diameter of the fixing is 8 mm  
 - The thickness of the fixing package (tfix) is 25 mm

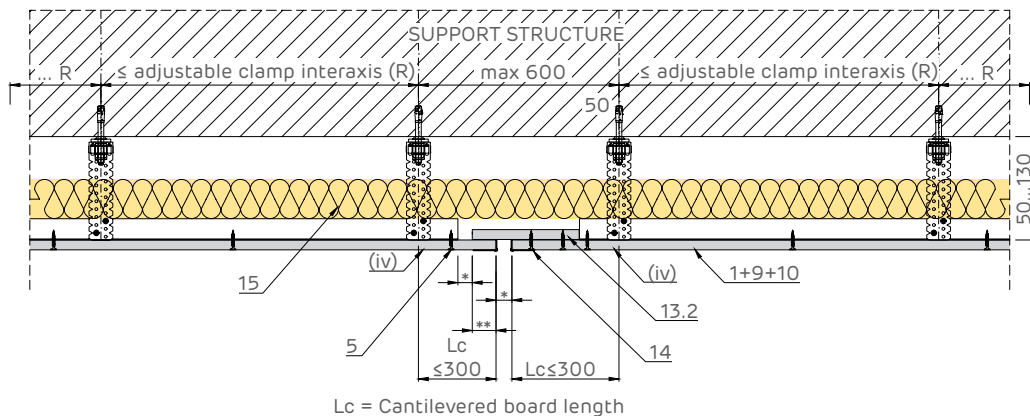
## Expansion joint Cross section



### NOTE:

- (iv) For the last plasterboard layer, it is not acceptable to make a joint in front of the specified profile; The joint should also be placed in front of the structural joints;  
 \* The size of the joint will also be determined by the size of the structural joint, but not less than 20 mm;  
 \*\* The board overlap will have a minimum size of (\* + 10 mm)

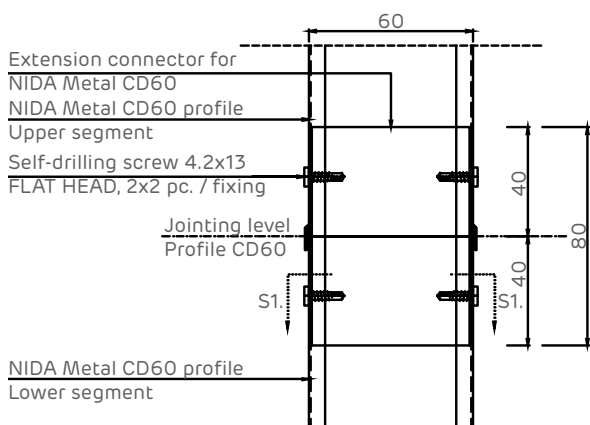
## Expansion joint Longitudinal section



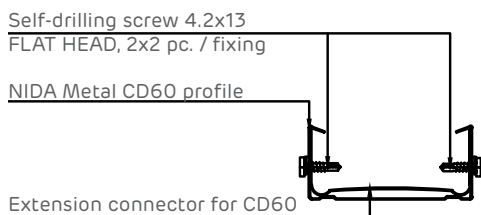
### NOTE:

- (iv) For the last plasterboard layer, it is not acceptable to make a joint in front of the specified profile; The joint should also be placed in front of the structural joints;  
 \* The size of the joint will also be determined by the size of the structural joint, but not less than 20 mm;  
 \*\* The board overlap will have a minimum size of (\* + 10 mm)

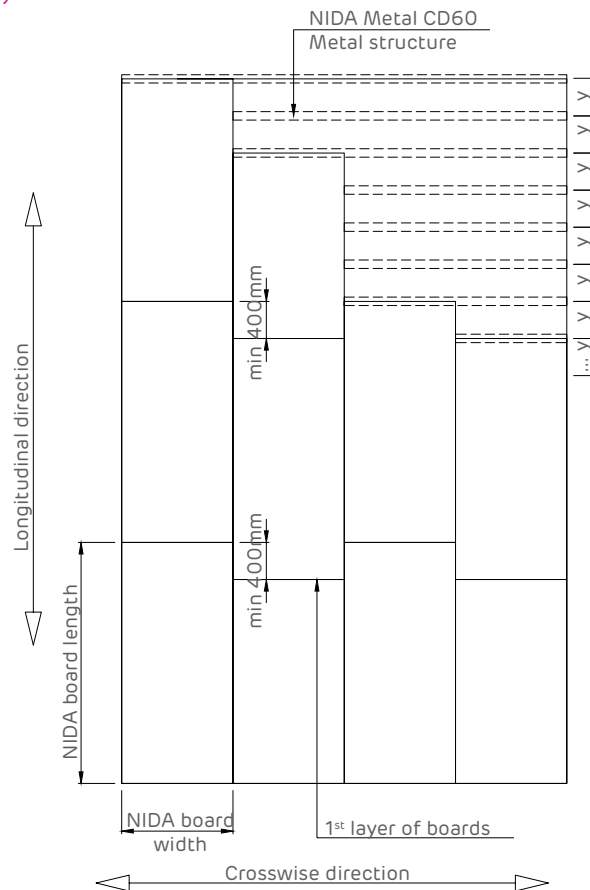
### Detail of NIDA Metal CD60 profile extension



### Section S1 - S1



### Board joint staggering System elevation

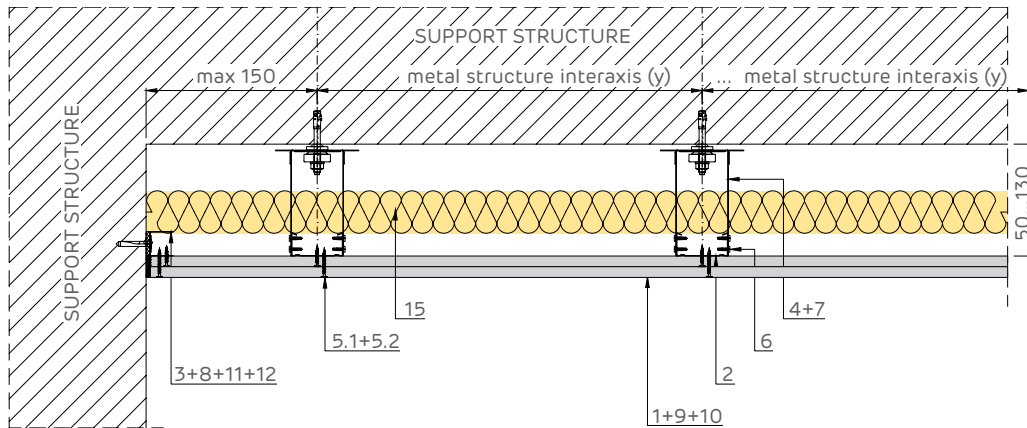


The boards should be mounted with the length perpendicular to the NIDA Metal CD60 profiles. The overlap of the boards lengthwise is minimum 400 mm.

- 1 1 x Siniat plasterboard
- 2 NIDA Metal CD60 profile
- 3 NIDA Metal UD30 runner profile
- 4 NIDA System adjustable clamp
- 5 Self-tapping 212 x L1 @ 300 mm
- 6 Attachment of acoustic clamp - NIDA Metal CD60  
2 x 2 self-drilling 4.2x13 FLAT HEAD
- 7 Mechanical fixing (\*1) , 1 pc/fastening
- 8 Mechanical fixing (\*1), laid out at 500 mm pitch
- 9 Jointing tape (\*2)
- 10 NIDA Profesional jointing plaster
- 11 Single-sided adhesive sealing tape
- 12 Joint treated with NIDA Boardfix
- 13 1. 1 x Siniat board strip  
2. 1 x Siniat board strip pre-mounted with 212 screw
- 14 Corner protection profile
- 15 Mineral wool (\*3)

## NIDA System P2.S1.CD/UD.BaP: NIDA System suspended ceiling, double layer on single structure with acoustic clamps

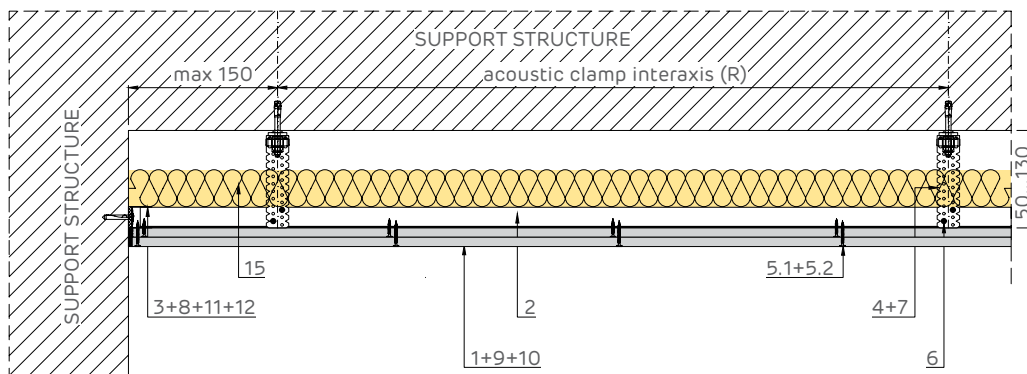
Rigid jointing with sturdy item  
Cross section



**NOTE:**

- (\*1) the following criteria should be taken into account when choosing the type of mechanical fixing for the acoustic clamp:
- The minimum diameter of the fixing is 8 mm
  - The thickness of the fixing package (tfix) is 25 mm

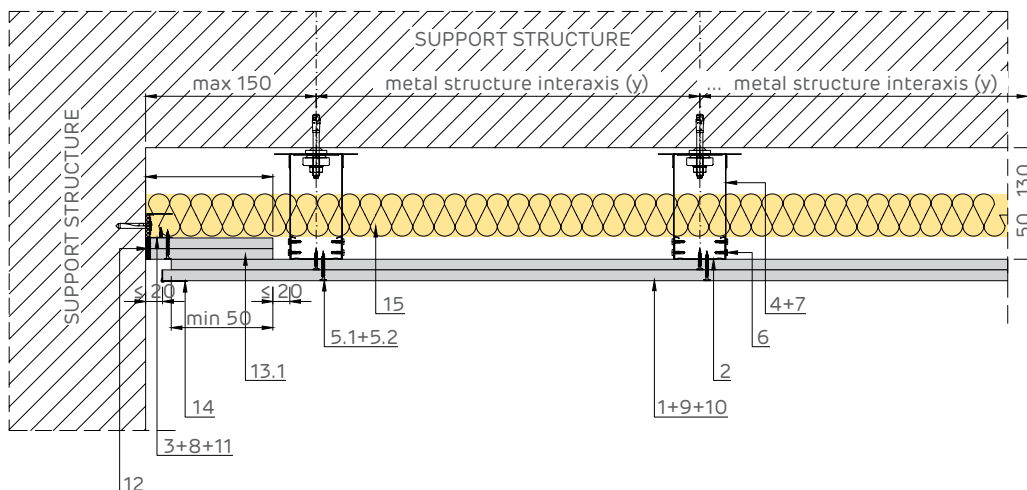
Rigid jointing with sturdy item  
Longitudinal section



**NOTE:**

- (\*1) the following criteria should be taken into account when choosing the type of mechanical fixing for the acoustic clamp:
- The minimum diameter of the fixing is 8 mm
  - The thickness of the fixing package (tfix) is 25 mm

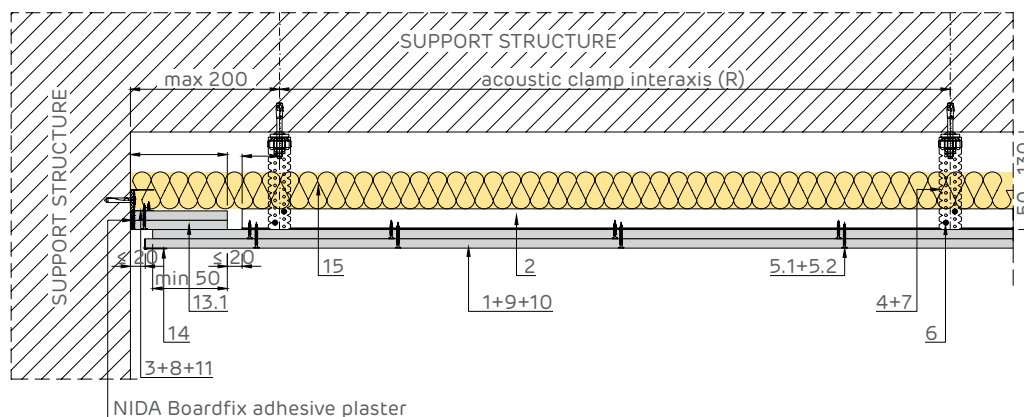
Sliding jointing with sturdy item  
Cross section



**NOTE:**

- (\*1) the following criteria should be taken into account when choosing the type of mechanical fixing for the acoustic clamp:
- The minimum diameter of the fixing is 8 mm
  - The thickness of the fixing package (tfix) is 25 mm

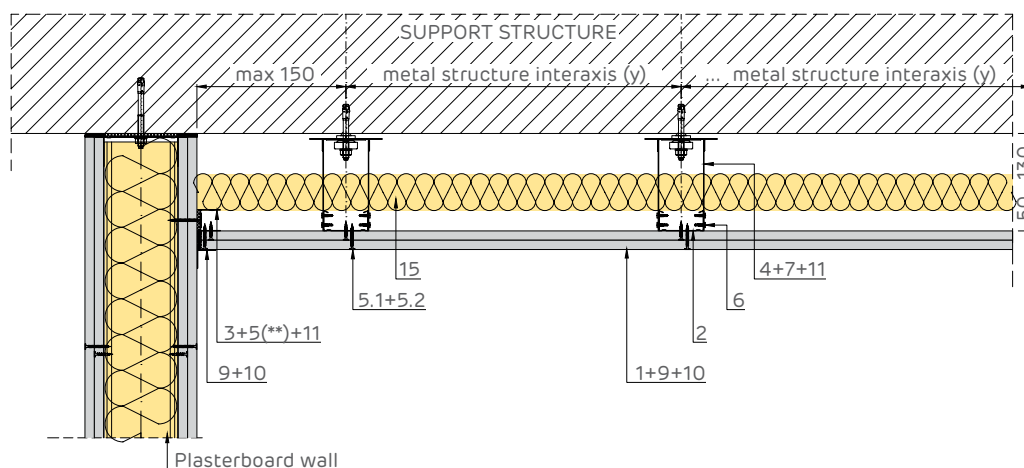
## Sliding jointing with sturdy item Longitudinal section



### NOTE:

- (\*1) the following criteria should be taken into account when choosing the type of mechanical fixing for the acoustic clamp:
- The minimum diameter of the fixing is 8 mm
  - The thickness of the fixing package (tfix) is 25 mm

## Jointing with plasterboard wall Cross section

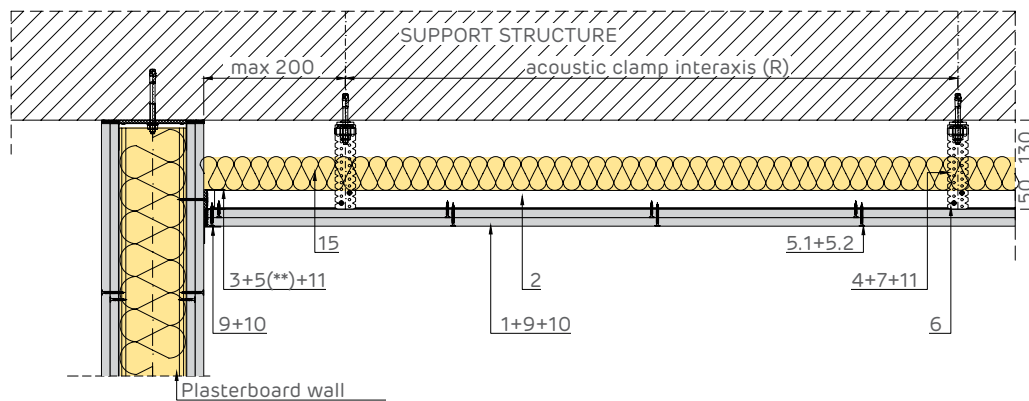


### NOTE:

- (\*\*) The self-tapping screw will be fixed to the metal structure of the plasterboard wall, choosing the length according to the thickness of the wall package (thickness of the wall board layers).
- (\*1) the following criteria should be taken into account when choosing the type of mechanical fixing for the acoustic clamp:
- The minimum diameter of the fixing is 8 mm
  - The thickness of the fixing package (tfix) is 25 mm

- 2 x Siniat plasterboard
- NIDA Metal CD60 profile
- NIDA Metal UD30 runner profile
- NIDA System adjustable clamp
1. Self-tapping 212 x L1 @ 600 mm  
2. Self-tapping 212 x L2 @ 300 mm
- Attachment of acoustic clamp - NIDA Metal CD60  
2 x 2 self-drilling 4.2x13 FLAT HEAD
- Mechanical fixing (\*1) , 1 pc/fastening
- Mechanical fixing (\*1), laid out at 500 mm pitch
- Jointing tape (\*2)
- NIDA Profesional jointing plaster
- Single-sided adhesive sealing tape
- Joint treated with NIDA Boardfix
1. 2 x Siniat board strip  
2. 2 x Siniat board strip, pre-mounted with 212 screw
- Corner protection profile
- Mineral wool (\*3)

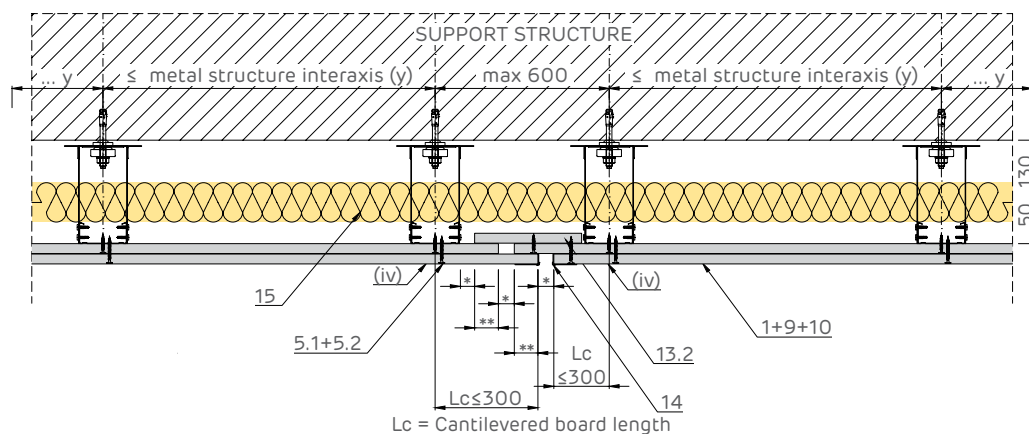
### Joining with plasterboard wall Longitudinal section



#### NOTE:

- (\*\*) The self-tapping screw will be fixed to the metal structure of the plasterboard wall, choosing the length according to the thickness of the wall package (thickness of the wall board layers).
- (\*1) the following criteria should be taken into account when choosing the type of mechanical fixing for the acoustic clamp:
  - The minimum diameter of the fixing is 8 mm
  - The thickness of the fixing package (tfix) is 25 mm

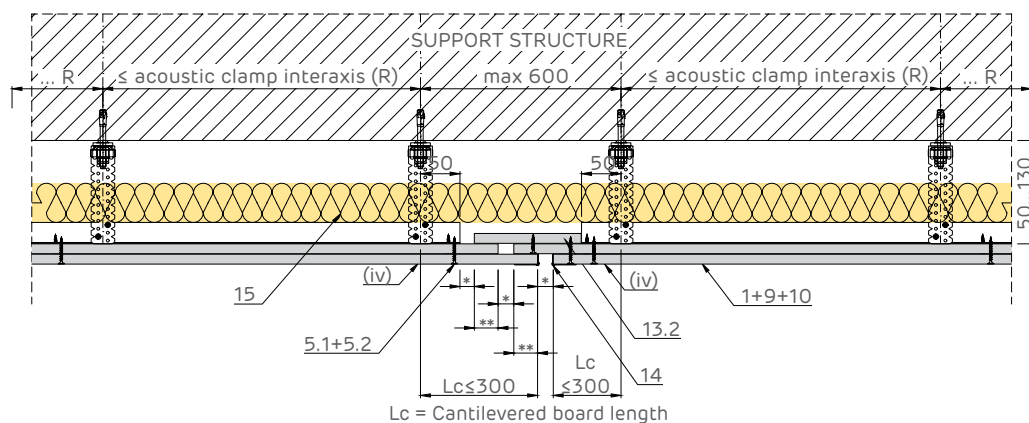
### Expansion joint Cross section



#### NOTE:

- (iv) For the last plasterboard layer, it is not acceptable to make a joint in front of the specified profile; The joint should also be placed in front of the structural joints;
- \* The size of the joint will also be determined by the size of the structural joint, but not less than 20 mm;
- \*\* The board overlap will have a minimum size of (\* + 10 mm)

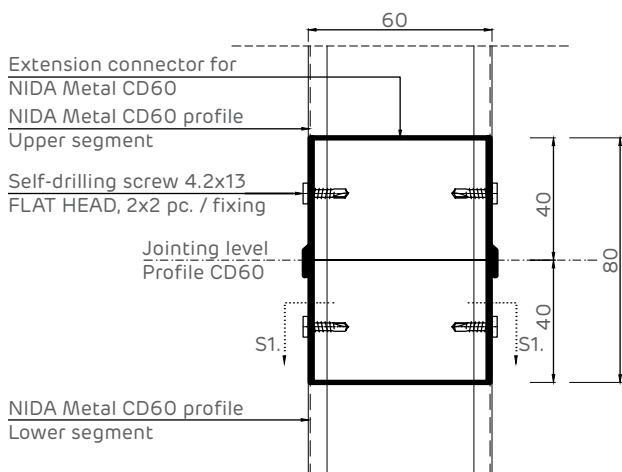
### Expansion joint Longitudinal section



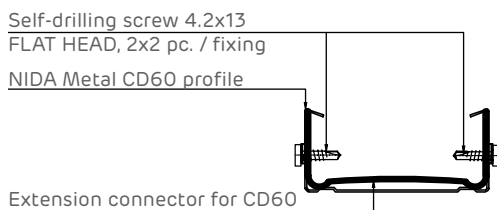
#### NOTE:

- (iv) For the last plasterboard layer, it is not acceptable to make a joint in front of the specified profile; The joint should also be placed in front of the structural joints;
- \* The size of the joint will also be determined by the size of the structural joint, but not less than 20 mm;
- \*\* The board overlap will have a minimum size of (\* + 10 mm)

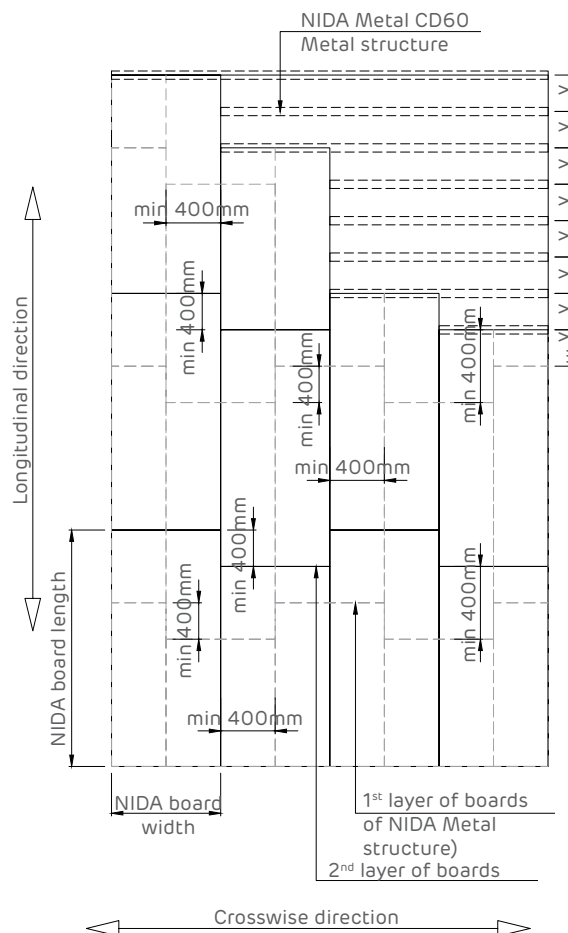
### Detail of NIDA Metal CD60 profile extension



### Section S1 - S1



### Board joint staggering System elevation



The boards should be mounted with the length perpendicular to the NIDA Metal CD60 profiles. The overlap of the boards lengthwise is minimum 400 mm.'

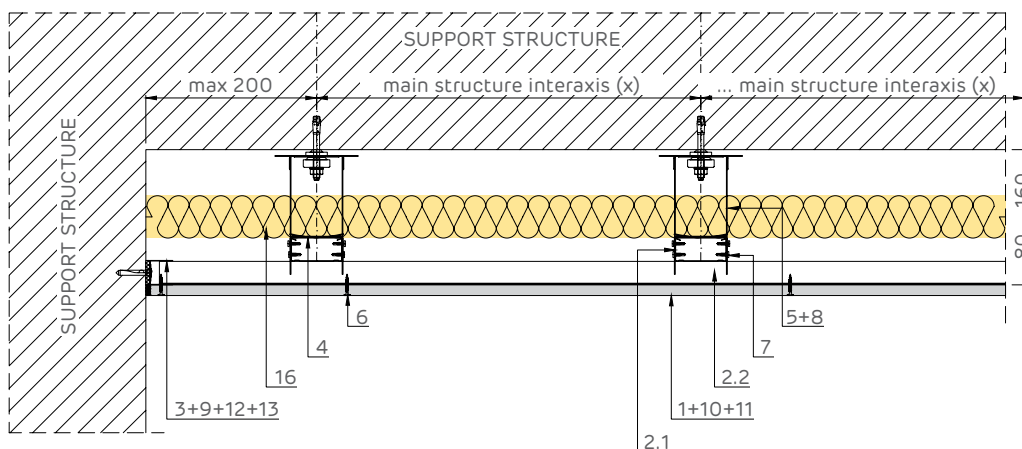
- 1 2 x Siniat plasterboard
- 2 NIDA Metal CD60 profile
- 3 NIDA Metal UD30 runner profile
- 4 NIDA System adjustable clamp
- 5 1. Self-tapping 212 x L1 @ 600 mm  
2. Self-tapping 212 x L2 @ 300 mm
- 6 Attachment of acoustic clamp - NIDA Metal CD60  
2 x 2 self-drilling 4.2x13 FLAT HEAD
- 7 Mechanical fixing (\*1) , 1 pc/fastening
- 8 Mechanical fixing (\*1), laid out at 500 mm pitch
- 9 Jointing tape (\*2)
- 10 NIDA Profesional jointing plaster
- 11 Single-sided adhesive sealing tape
- 12 Joint treated with NIDA Boardfix
- 13 1. 2 x Siniat board strip  
2. 1 x Siniat board strip, pre-mounted with 212 screw
- 14 Corner protection profile
- 15 Mineral wool (\*3)

# NIDA System P1.S2.CD/UD.Ba:

## NIDA System suspended ceiling, single layer on double structure with acoustic clamps

Rigid jointing with sturdy item

Cross section

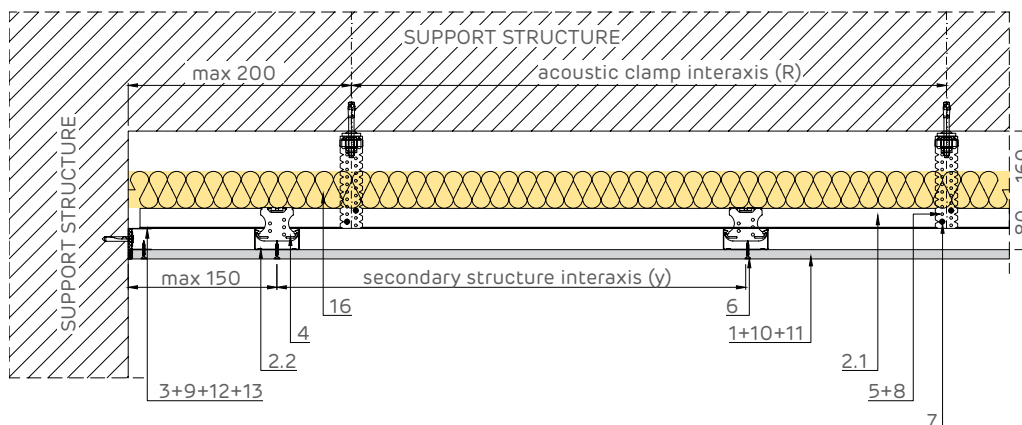


**NOTE:**

- (\*1) the following criteria should be taken into account when choosing the type of mechanical fixing for the acoustic clamp:
- The minimum diameter of the fixing is 8 mm
  - The thickness of the fixing package (tfix) is 25 mm

Rigid jointing with sturdy item

Longitudinal section

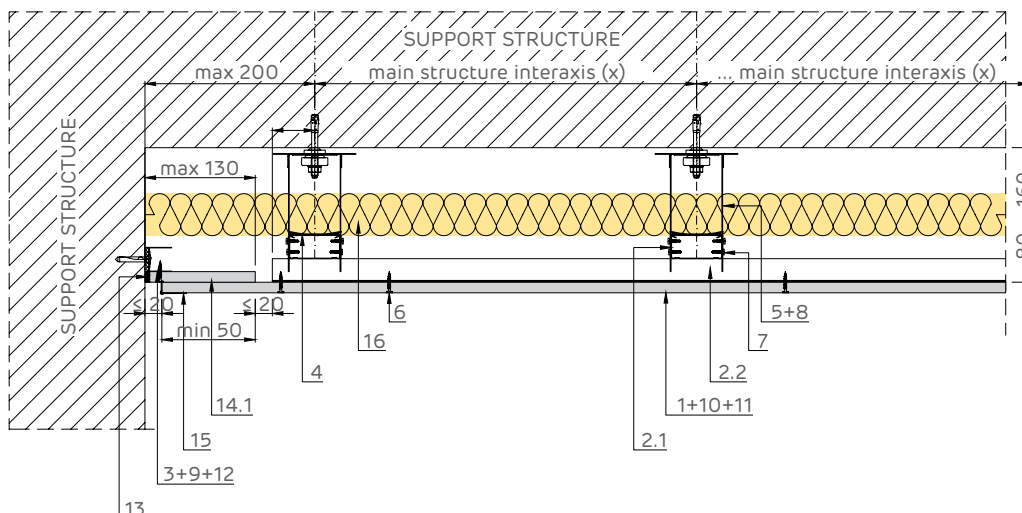


**NOTE:**

- (\*1) the following criteria should be taken into account when choosing the type of mechanical fixing for the acoustic clamp:
- The minimum diameter of the fixing is 8 mm
  - The thickness of the fixing package (tfix) is 25 mm

Sliding joint with sturdy items

Cross section

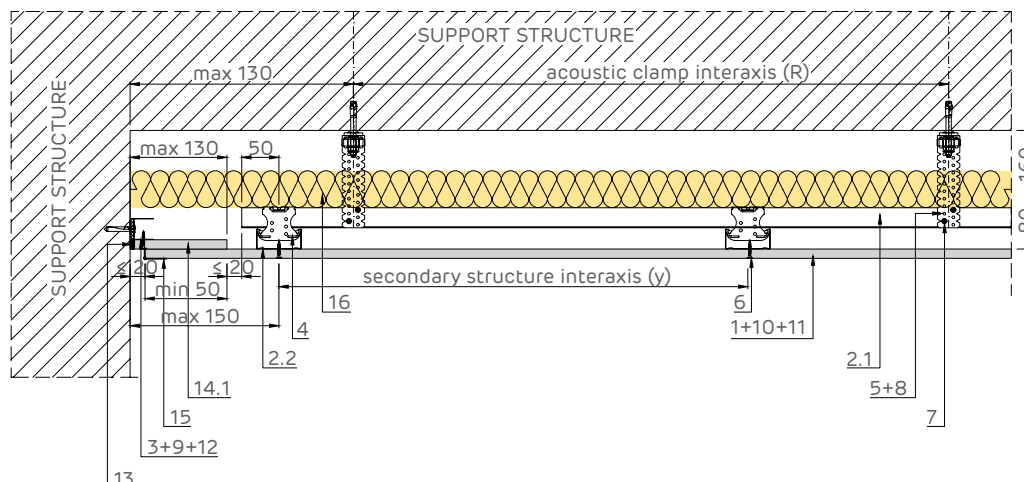


**NOTE:**

- (\*1) the following criteria should be taken into account when choosing the type of mechanical fixing for the acoustic clamp:
- The minimum diameter of the fixing is 8 mm
  - The thickness of the fixing package (tfix) is 25 mm



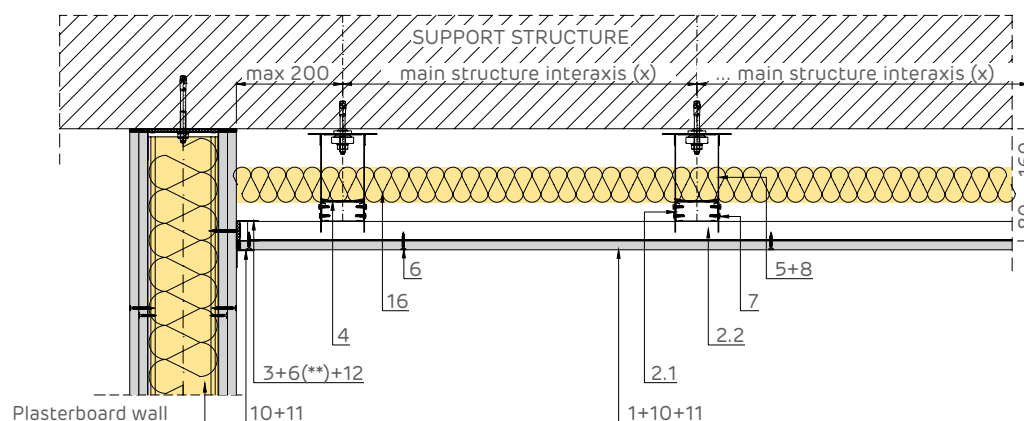
## Sliding jointing with sturdy item Longitudinal section



### NOTE:

- (\*1) the following criteria should be taken into account when choosing the type of mechanical fixing for the acoustic clamp:
- The minimum diameter of the fixing is 8 mm
  - The thickness of the fixing package (tfix) is 25 mm

## Jointing with plasterboard wall Cross section

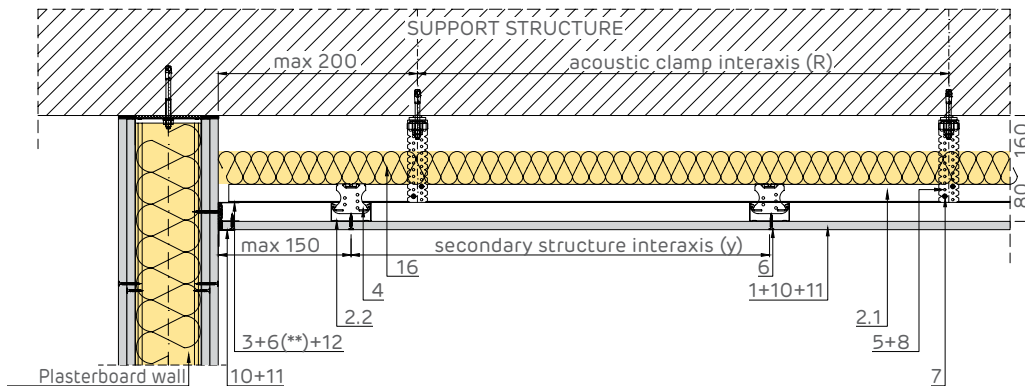


### NOTE:

- (\*\*) The self-tapping screw will be fixed to the metal structure of the plasterboard wall, choosing the length according to the thickness of the wall package (thickness of the wall board layers).
- (\*1) the following criteria should be taken into account when choosing the type of mechanical fixing for the acoustic clamp:
- The minimum diameter of the fixing is 8 mm
  - The thickness of the fixing package (tfix) is 25 mm

- |   |  |    |   |
|---|--|----|---|
| 1 | 1 x Siniat plasterboard  | 9  | Mechanical fixing (*1), laid out at 500 mm pitch                                  |
| 2 | 1. NIDA Metal CD60 main profile<br>2. NIDA Metal CD60 secondary profile                | 10 | Jointing tape (*2)  |
| 3 | NIDA Metal UD30 runner profile   | 11 | NIDA Profesional jointing plaster   |
| 4 | NIDA Metal CD double joint connection  | 12 | Single-sided adhesive sealing tape  |
| 5 | NIDA System acoustic clamp   | 13 | Joint treated with NIDA Boardfix  |
| 6 | Self-tapping 212 x L1 @ 300 mm   | 14 | 1. 1 x Siniat board strip<br>2. 1 x Siniat board strip pre-mounted with 212 screw |
| 7 | Attachment of acoustic clamp - NIDA Metal CD60<br>2 x 2 self-drilling 4.2x13 FLAT HEAD | 15 | Corner protection profile   |
| 8 | Mechanical fixing (*1), 1 pc/fastening   | 16 | Mineral wool (*3)   |

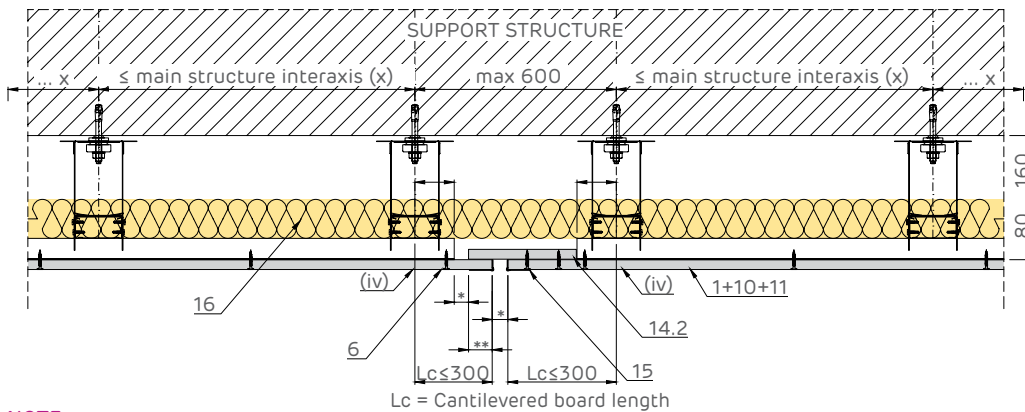
## Joining with plasterboard wall Longitudinal section



### NOTE:

- (\*\*) The self-tapping screw will be fixed to the metal structure of the plasterboard wall, choosing the length according to the thickness of the wall package (thickness of the wall board layers).
- (\*) the following criteria should be taken into account when choosing the type of mechanical fixing for the acoustic clamp:
  - The minimum diameter of the fixing is 8 mm
  - The thickness of the fixing package (tfix) is 25 mm

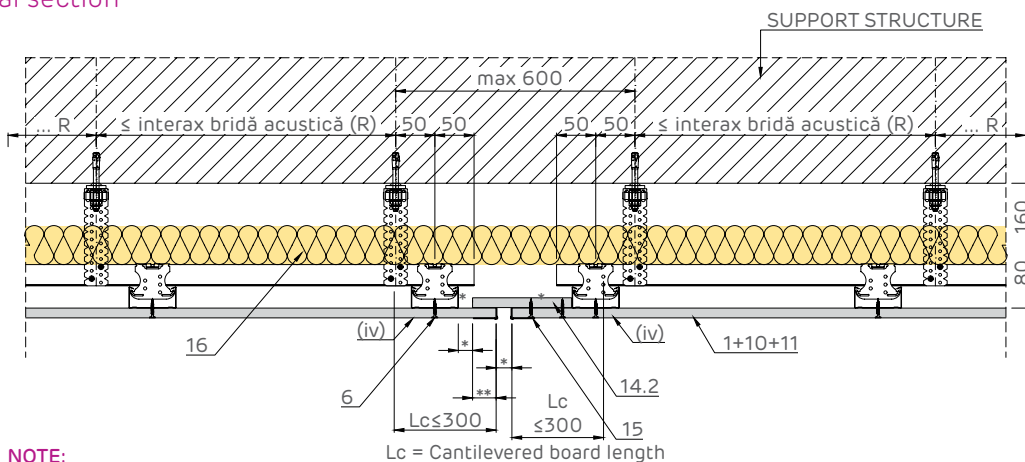
## Expansion joint Cross section



### NOTE:

- (iv) For the last plasterboard layer, it is not acceptable to make a joint in front of the specified profile; The joint should also be placed in front of the structural joints;
- \* The size of the joint will also be determined by the size of the structural joint, but not less than 20 mm;
- \*\* The board overlap will have a minimum size of (\* + 10 mm)

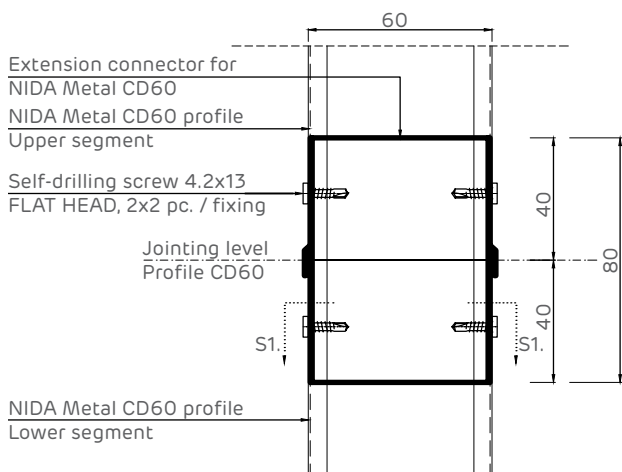
## Expansion joint Longitudinal section



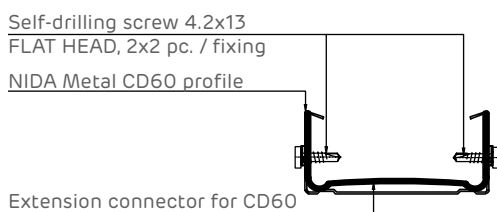
### NOTE:

- (iv) For the last plasterboard layer, it is not acceptable to make a joint in front of the specified profile; The joint should also be placed in front of the structural joints;
- \* The size of the joint will also be determined by the size of the structural joint, but not less than 20 mm;
- \*\* The board overlap will have a minimum size of (\* + 10 mm)

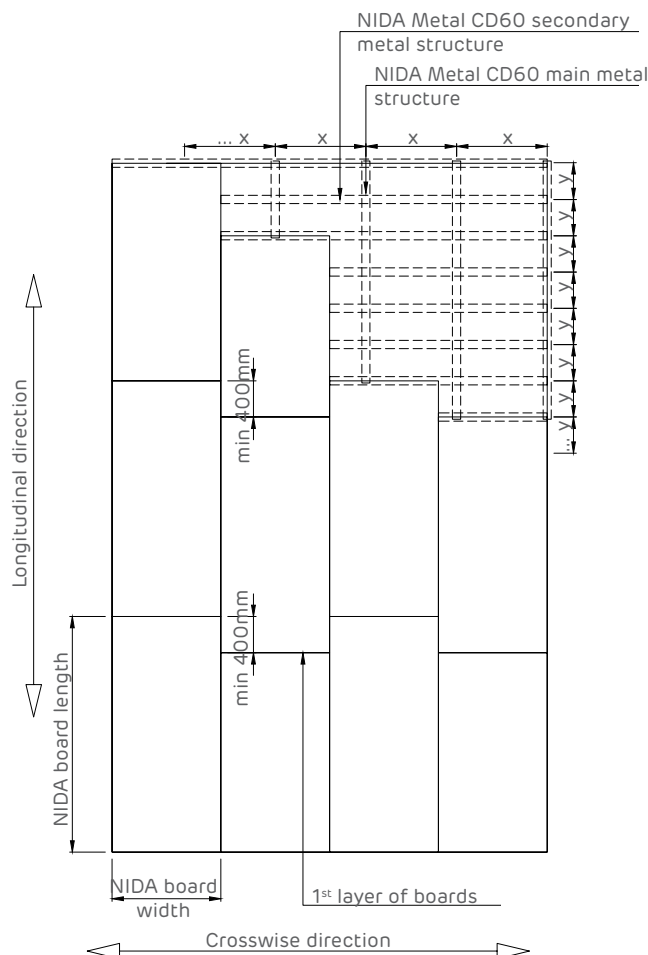
### Detail of NIDA Metal CD60 profile extension



### Section S1 - S1



### Board joint staggering System elevation



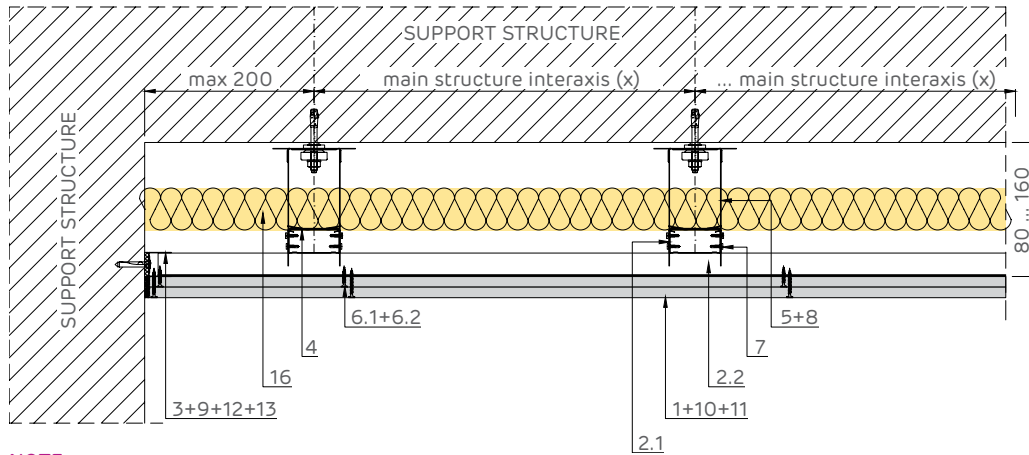
The boards should be mounted with the length perpendicular to the NIDA Metal CD60 profiles. The overlap of the boards lengthwise is minimum 400 mm.

- 1 1 x Siniat plasterboard
- 2 1. NIDA Metal CD60 main profile  
2. NIDA Metal CD60 secondary profile
- 3 NIDA Metal UD30 runner profile
- 4 NIDA Metal CD double joint connection
- 5 NIDA System acoustic clamp
- 6 Self-tapping 212 x L1 @ 300 mm
- 7 Attachment of acoustic clamp - NIDA Metal CD60  
2 x 2 self-drilling 4.2x13 FLAT HEAD
- 8 Mechanical fixing (\*1) , 1 pc/fastening
- 9 Mechanical fixing (\*1), laid out at 500 mm pitch
- 10 Jointing tape (\*2)
- 11 NIDA Profesional jointing plaster
- 12 Single-sided adhesive sealing tape
- 13 Joint treated with NIDA Boardfix
- 14 1. 1 x Siniat board strip  
2. 1 x Siniat board strip pre-mounted with 212 screw
- 15 Corner protection profile
- 16 Mineral wool (\*3)

## NIDA System P2.S1.CD/UD.Ba: NIDA System suspended ceiling double layer on double structure with acoustic clamps

Rigid jointing with sturdy item

Cross section



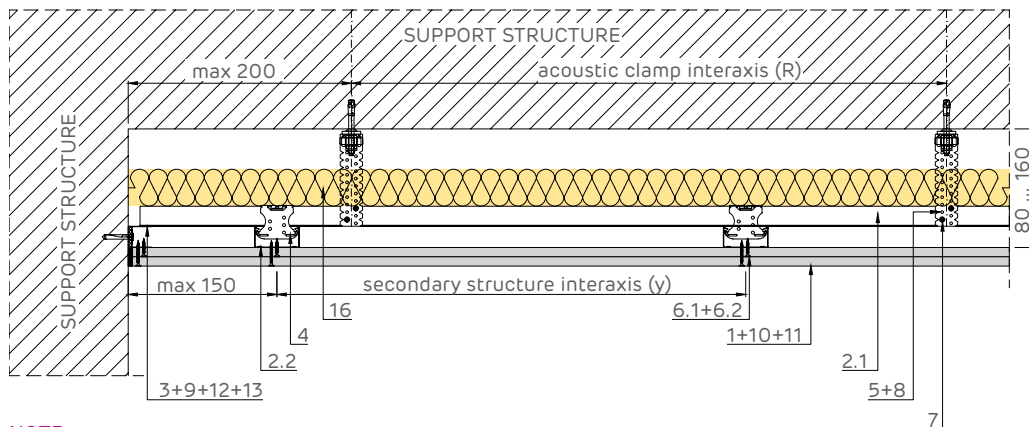
**NOTE:**

(\*1) the following criteria should be taken into account when choosing the type of mechanical fixing for the acoustic clamp:

- The minimum diameter of the fixing is 8 mm
- The thickness of the fixing package (tfix) is 25 mm

Rigid jointing with sturdy item

Longitudinal section



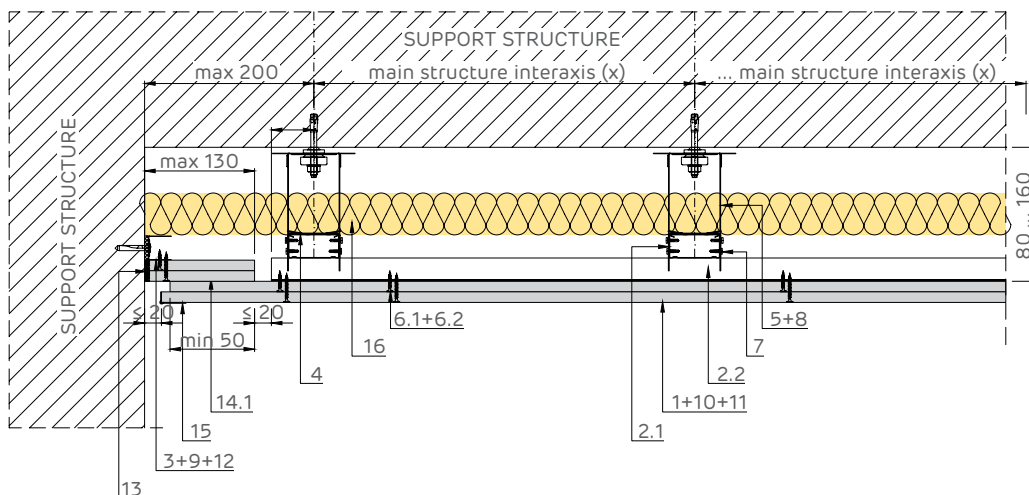
**NOTE:**

(\*1) the following criteria should be taken into account when choosing the type of mechanical fixing for the acoustic clamp:

- The minimum diameter of the fixing is 8 mm
- The thickness of the fixing package (tfix) is 25 mm

Sliding joint with sturdy items

Cross section

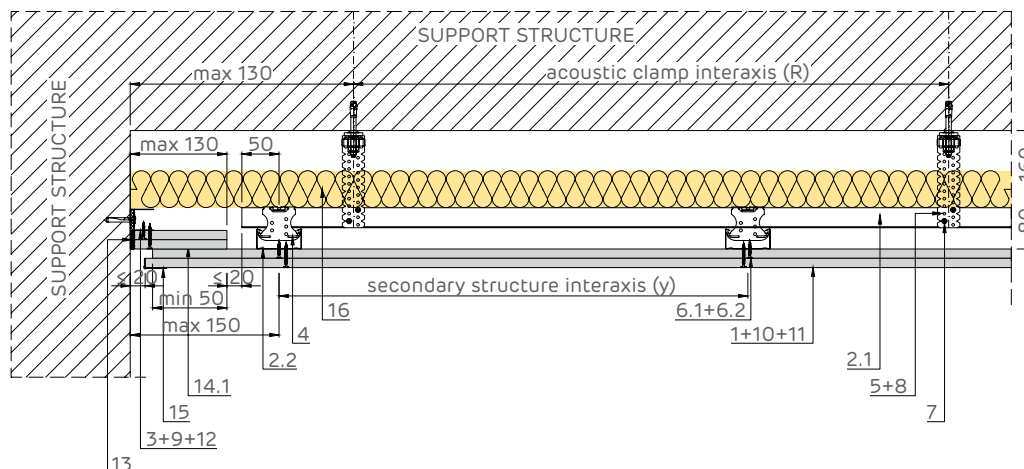


**NOTE:**

(\*1) the following criteria should be taken into account when choosing the type of mechanical fixing for the acoustic clamp:

- The minimum diameter of the fixing is 8 mm
- The thickness of the fixing package (tfix) is 25 mm

## Sliding jointing with sturdy item Longitudinal section

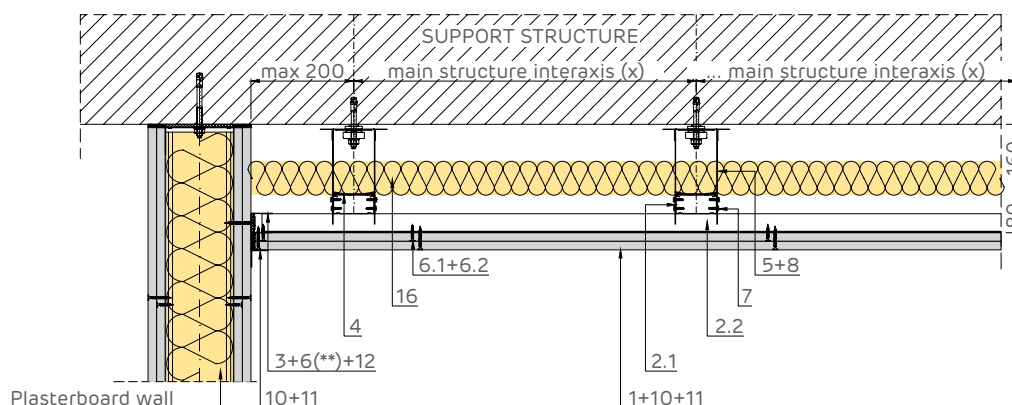


### NOTE:

(\*1) the following criteria should be taken into account when choosing the type of mechanical fixing for the acoustic clamp:

- The minimum diameter of the fixing is 8 mm
- The thickness of the fixing package (tfix) is 25 mm

## Jointing with plasterboard wall Cross section



### NOTE:

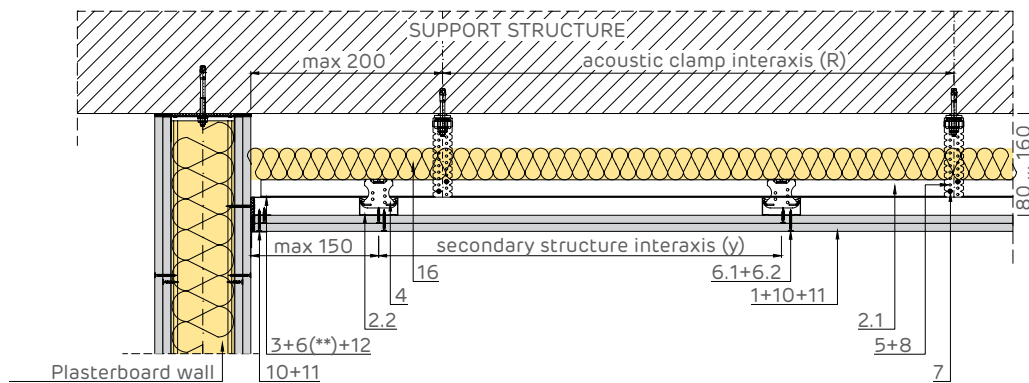
(\*\*) The self-tapping screw will be fixed to the metal structure of the plasterboard wall, choosing the length according to the thickness of the wall package (thickness of the wall board layers).

(\*1) the following criteria should be taken into account when choosing the type of mechanical fixing for the acoustic clamp:

- The minimum diameter of the fixing is 8 mm
- The thickness of the fixing package (tfix) is 25 mm

- 2 x Siniat plasterboard
1. NIDA Metal CD60 main profile  
2. NIDA Metal CD60 secondary profile
- NIDA Metal UD30 runner profile
- NIDA Metal CD double joint connection
- NIDA System acoustic clamp
- Self-tapping 212 x L1 @ 300 mm
- Attachment of acoustic clamp - NIDA Metal CD60  
2 x 2 self-drilling 4.2x13 FLAT HEAD
- Mechanical fixing (\*1), 1 pc/fastening
- Mechanical fixing (\*1), laid out at 500 mm pitch
- Jointing tape (\*2)
- NIDA Profesional jointing plaster
- Single-sided adhesive sealing tape
- Joint treated with NIDA Boardfix
1. 2 x Siniat board strip  
2. 2 x Siniat board strip pre-mounted with 212 screw
- Corner protection profile
- Mineral wool (\*3)

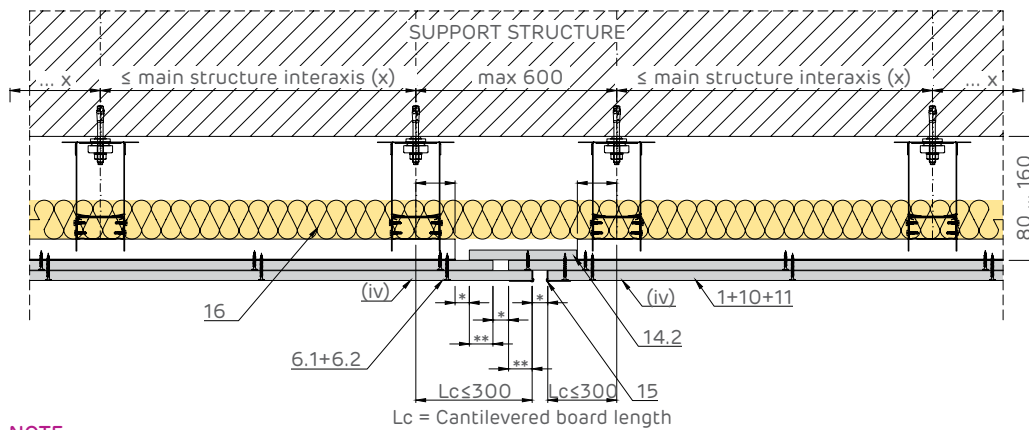
## Joining with plasterboard wall Longitudinal section



### NOTE:

- (\*\*) The self-tapping screw will be fixed to the metal structure of the plasterboard wall, choosing the length according to the thickness of the wall package (thickness of the wall board layers).  
 (\*1) the following criteria should be taken into account when choosing the type of mechanical fixing for the acoustic clamp:  
 - The minimum diameter of the fixing is 8 mm  
 - The thickness of the fixing package (tfix) is 25 mm

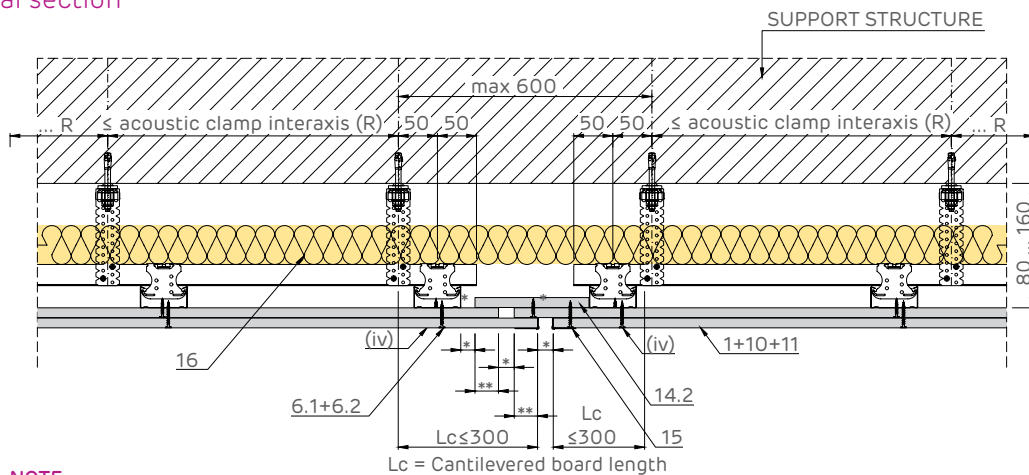
## Expansion joint Cross section



### NOTE:

- (iv) For the last plasterboard layer, it is not acceptable to make a joint in front of the specified profile;  
 The joint should also be placed in front of the structural joints;  
 \* The size of the joint will also be determined by the size of the structural joint, but not less than 20 mm;  
 \*\* The board overlap will have a minimum size of (\* + 10 mm)

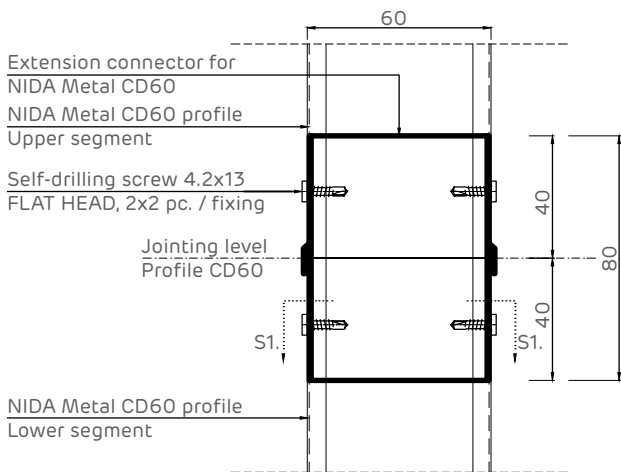
## Expansion joint Longitudinal section



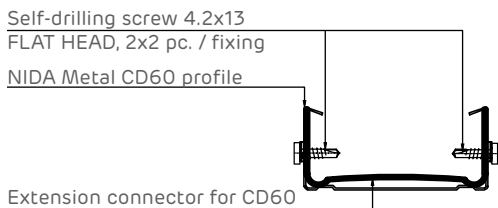
### NOTE:

- (iv) For the last plasterboard layer, it is not acceptable to make a joint in front of the specified profile;  
 The joint should also be placed in front of the structural joints;  
 \* The size of the joint will also be determined by the size of the structural joint, but not less than 20 mm;  
 \*\* The board overlap will have a minimum size of (\* + 10 mm)

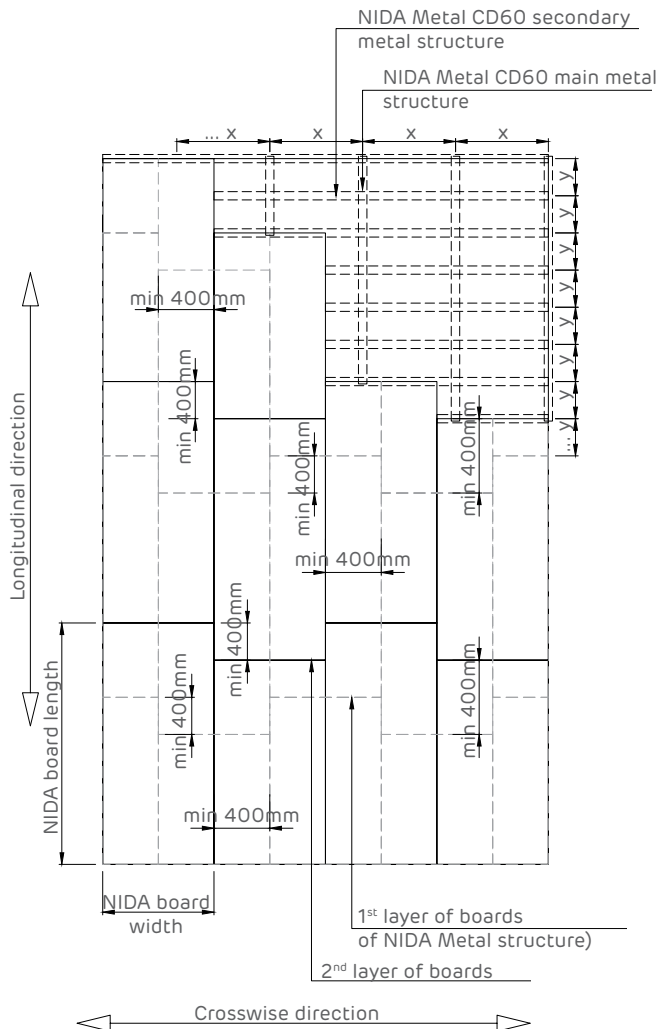
### Detail of NIDA Metal CD60 profile extension



### Section S1 - S1



### Board joint staggering System elevation



The boards should be mounted with the length perpendicular to the NIDA Metal CD60 profiles. The overlap of the boards lengthwise is minimum 400 mm.

- 1 2 x Siniat plasterboard
- 2 1. NIDA Metal CD60 main profile  
2. NIDA Metal CD60 secondary profile
- 3 NIDA Metal UD30 runner profile
- 4 NIDA Metal CD double joint connection
- 5 NIDA System acoustic clamp
- 6 1. Self-tapping 212 x L1 @ 600 mm  
2. Self-tapping 212 x L2 @ 300 mm
- 7 Attachment of acoustic clamp - NIDA Metal CD60  
2 x 2 self-drilling 4.2x13 FLAT HEAD
- 8 Mechanical fixing (\*1), 1 pc/fastening
- 9 Mechanical fixing (\*1), laid out at 500 mm pitch
- 10 Jointing tape (\*2)
- 11 NIDA Profesional jointing plaster
- 12 Single-sided adhesive sealing tape
- 13 Joint treated with NIDA Boardfix
- 14 1. 2 x Siniat board strip  
2. 2 x Siniat board strip pre-mounted with 212 screw
- 15 Corner protection profile
- 16 Mineral wool (\*3)

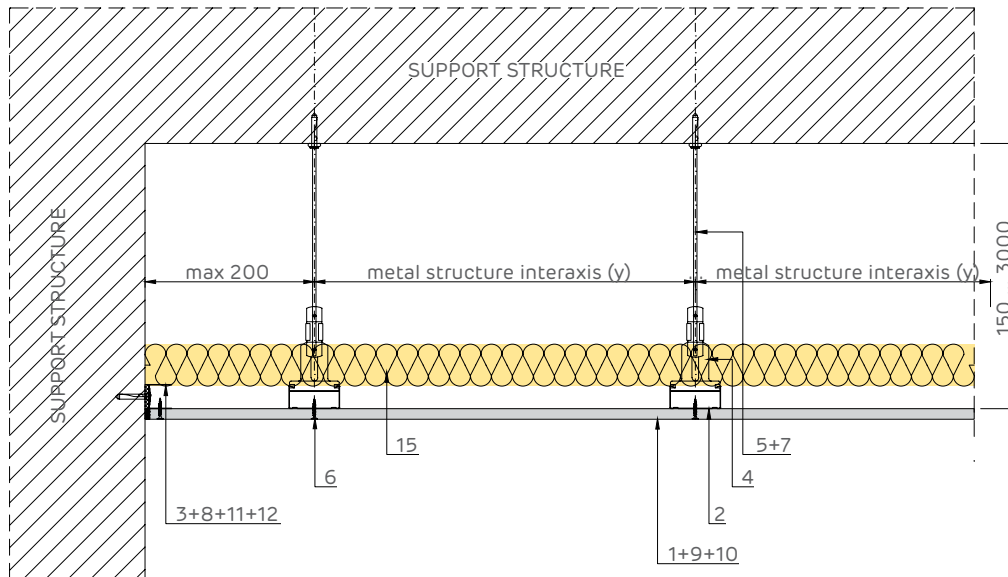


## NIDA System P1.S1.CD/UD.T:

NIDA System suspended ceiling, single layer on single structure with suspension coupling

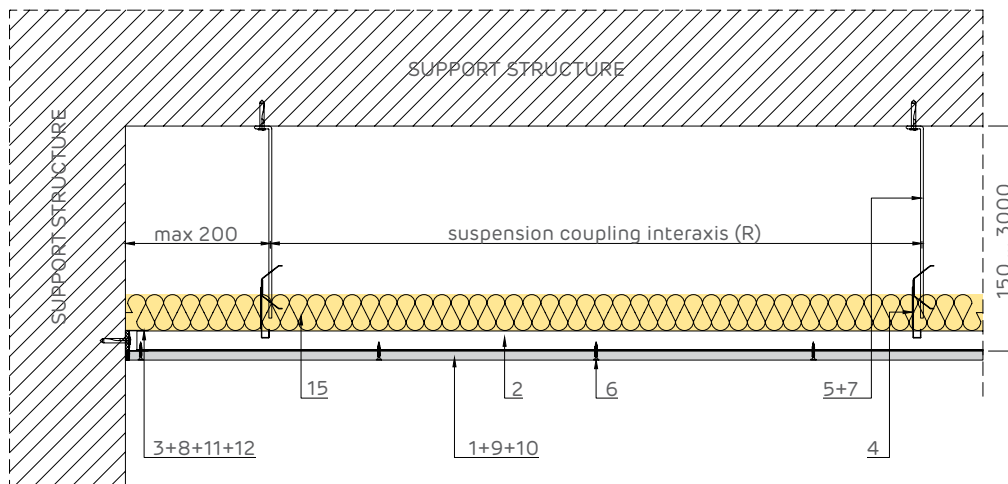
Rigid jointing with sturdy item

Cross section



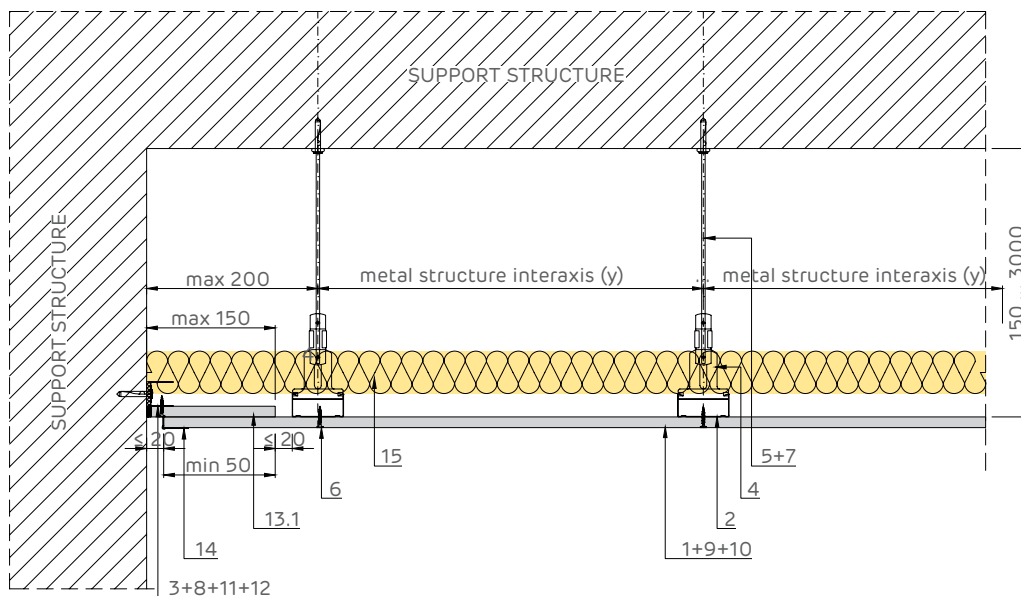
Rigid jointing with sturdy item

Longitudinal section

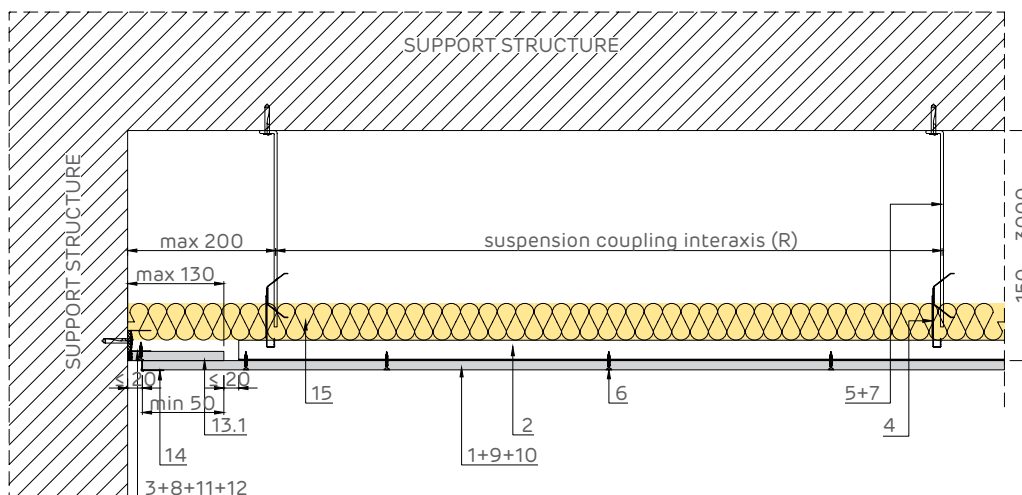


Sliding joint with sturdy items

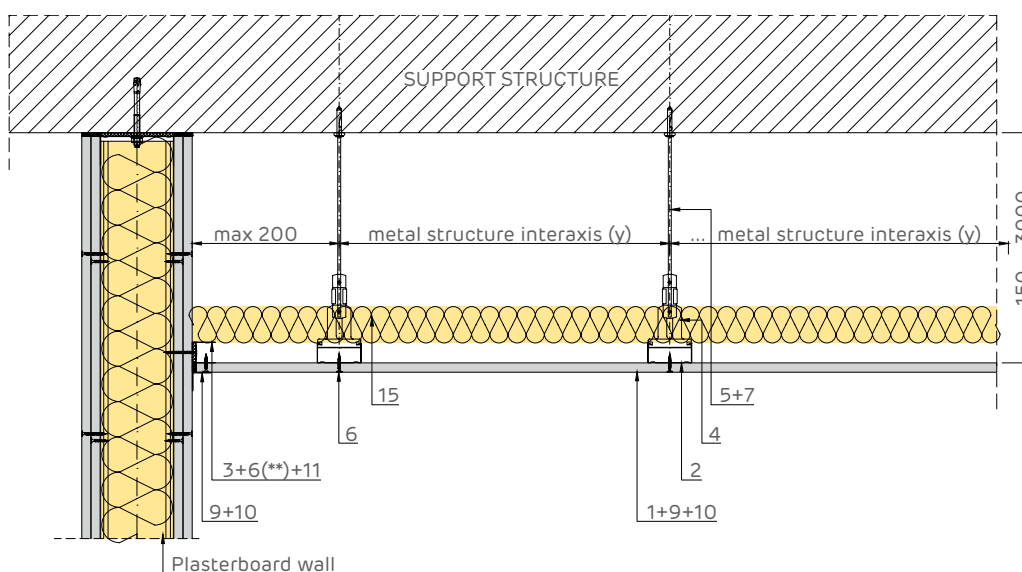
Cross section



## Sliding jointing with sturdy item Longitudinal section



## Jointing with plasterboard wall Cross section

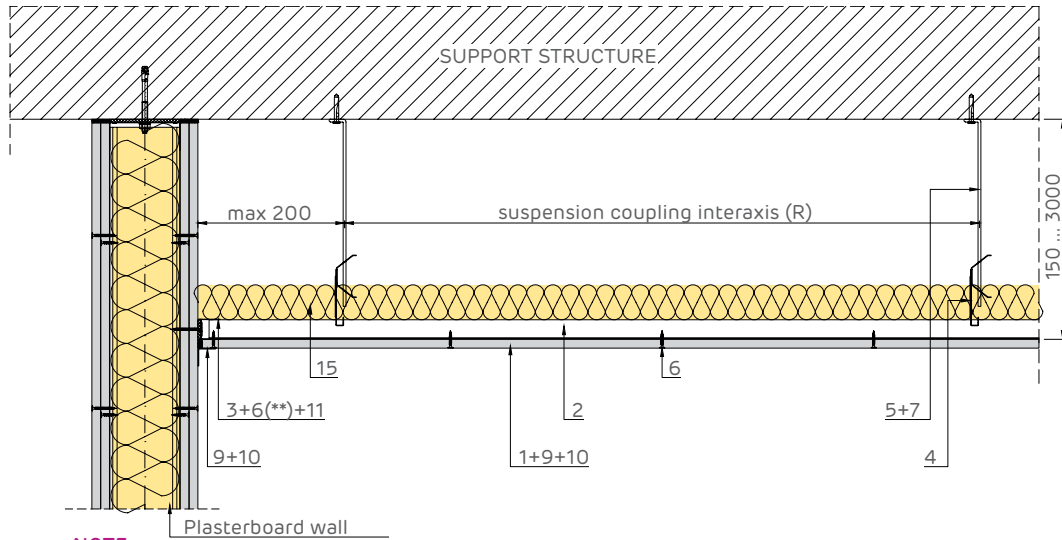


### NOTE:

(\*\*) The self-tapping screw will be fixed to the metal structure of the plasterboard wall, choosing the length according to the thickness of the wall package (thickness of the wall board layers).

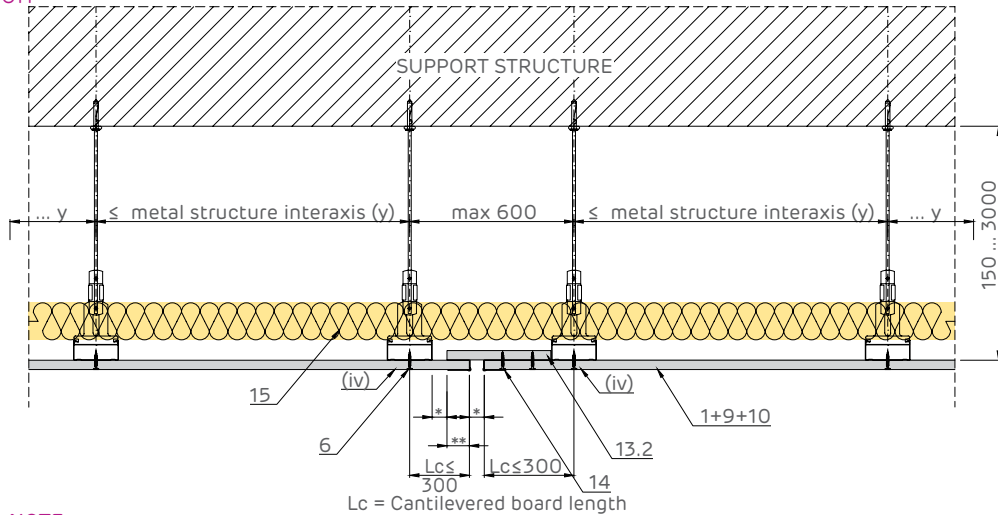
- |   |  |    |  |
|---|--|----|--|
| 1 | 1 x Siniat plasterboard                          | 9  | Jointing tape (*2)                                   |
| 2 | NIDA Metal CD60 profile                          | 10 | NIDA Profesional jointing plaster                    |
| 3 | NIDA Metal UD30 runner profile                   | 11 | Single-sided adhesive sealing tape                   |
| 4 | CD60 NIDA Metal suspension coupling              | 12 | Joint treated with NIDA Boardfix                     |
| 5 | Ring rod   | 13 | 1. 1 x Siniat board strip                            |
| 6 | Self-tapping 212 x L1 @ 300 mm                   |    | 2. 1 x Siniat board strip pre-mounted with 212 screw |
| 7 | Mechanical fixing (*1) , 1 pc/fastening          | 14 | Corner protection profile                            |
| 8 | Mechanical fixing (*1), laid out at 500 mm pitch | 15 | Mineral wool (*3)                                    |

Joining with plasterboard wall  
Longitudinal section



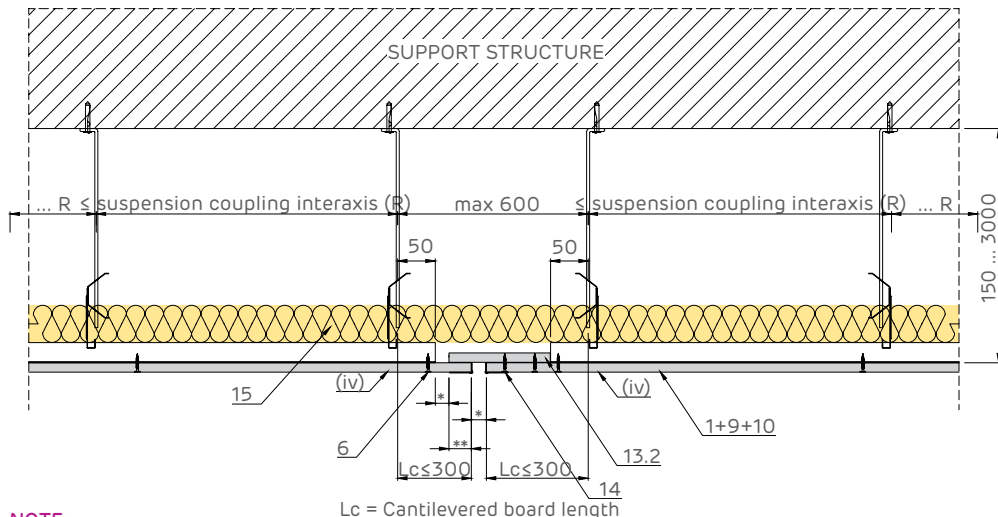
**NOTE:**  
(\*\*) The self-tapping screw will be fixed to the metal structure of the plasterboard wall, choosing the length according to the thickness of the wall package (thickness of the wall board layers).

Expansion joint  
Cross section



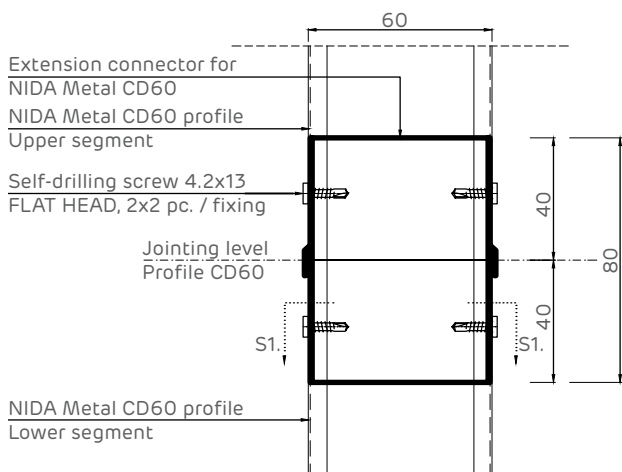
**NOTE:**  
(iv) For the last plasterboard layer, it is not acceptable to make a joint in front of the specified profile; The joint should also be placed in front of the structural joints;  
\* The size of the joint will also be determined by the size of the structural joint, but not less than 20 mm;  
\*\* The board overlap will have a minimum size of (\* + 10 mm)

Expansion joint  
Longitudinal section

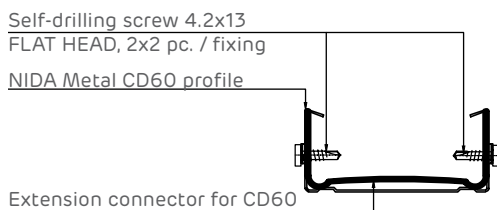


**NOTE:**  
(iv) For the last plasterboard layer, it is not acceptable to make a joint in front of the specified profile; The joint should also be placed in front of the structural joints;  
\* The size of the joint will also be determined by the size of the structural joint, but not less than 20 mm;  
\*\* The board overlap will have a minimum size of (\* + 10 mm)

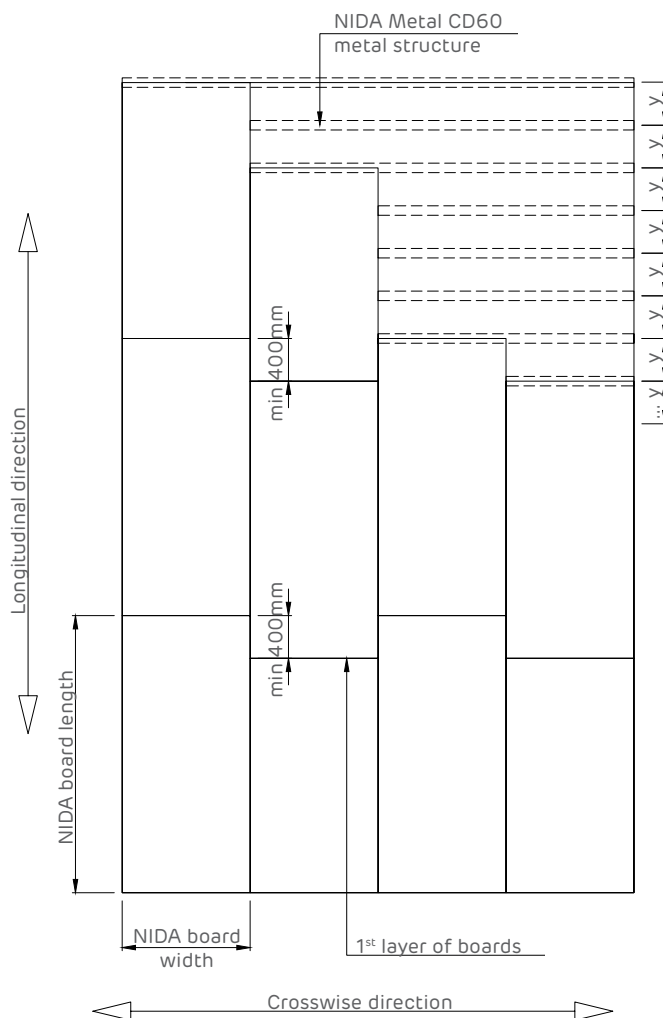
### Detail of NIDA Metal CD60 profile extension



### Section S1 - S1



### Board joint staggering System elevation

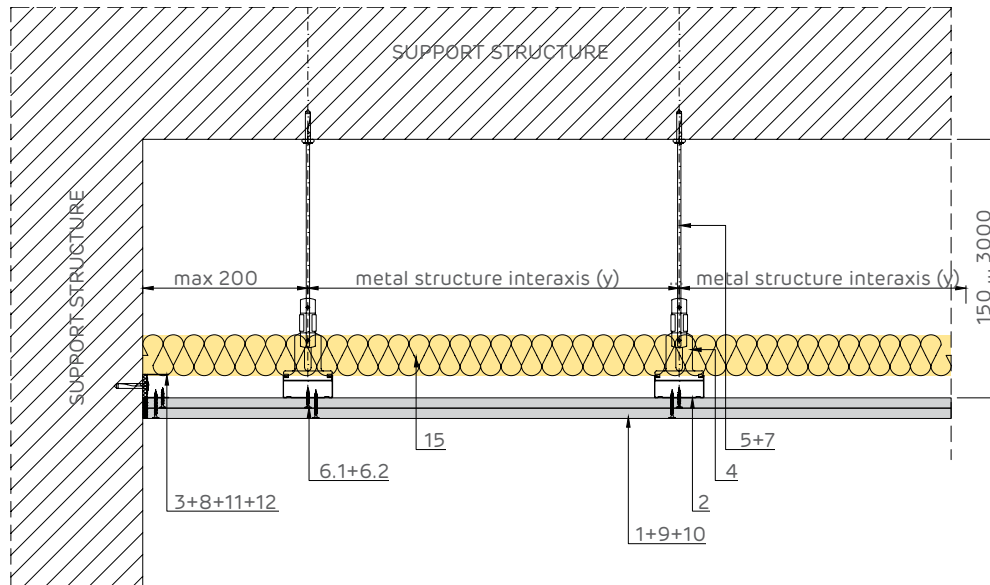


The boards should be mounted with the length perpendicular to the NIDA Metal CD60 profiles. The overlap of the boards lengthwise is minimum 400 mm.'

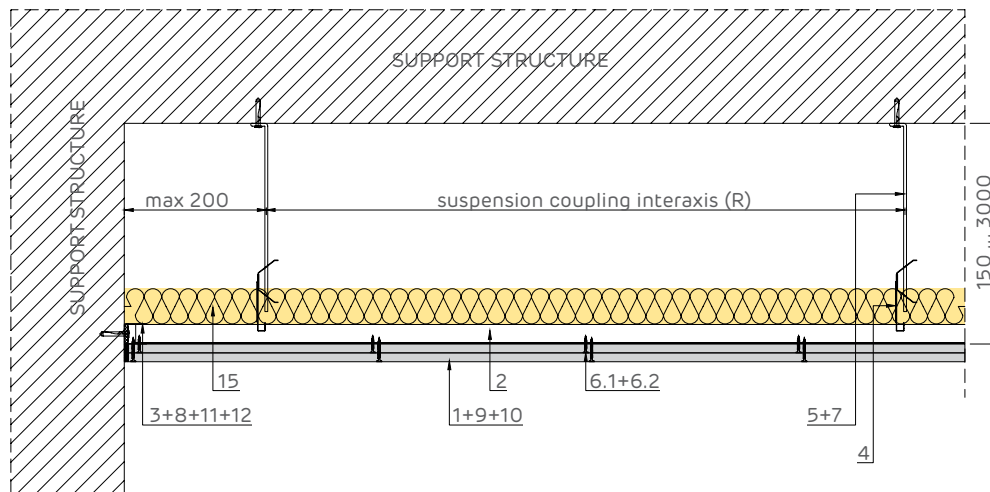
- 1 1 x Siniat plasterboard
- 2 NIDA Metal CD60 profile
- 3 NIDA Metal UD30 runner profile
- 4 CD60 NIDA Metal suspension coupling
- 5 Ring rod
- 6 Self-tapping 212 x L1 @ 300 mm
- 7 Mechanical fixing (\*1) , 1 pc/fastening
- 8 Mechanical fixing (\*1), laid out at 500 mm pitch
- 9 Jointing tape (\*2)
- 10 NIDA Profesional jointing plaster
- 11 Single-sided adhesive sealing tape
- 12 Joint treated with NIDA Boardfix
- 13 1. 1 x Siniat board strip  
2. 1 x Siniat board strip pre-mounted with 212 screw
- 14 Corner protection profile
- 15 Mineral wool (\*3)

## NIDA System P2.S1.CD/UD.T: NIDA System suspended ceiling, double layer on single structure with suspension coupling

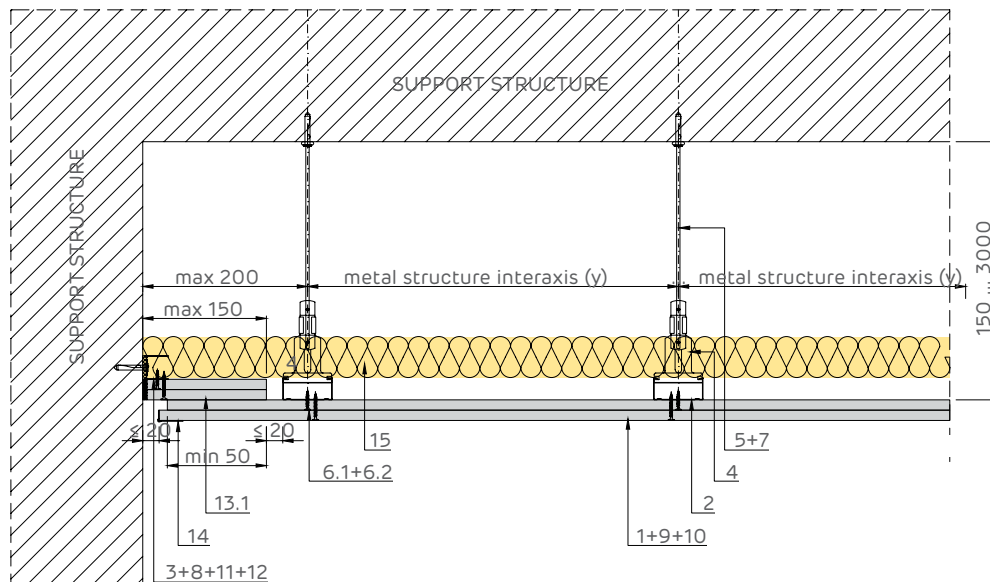
Rigid jointing with sturdy item  
Cross section



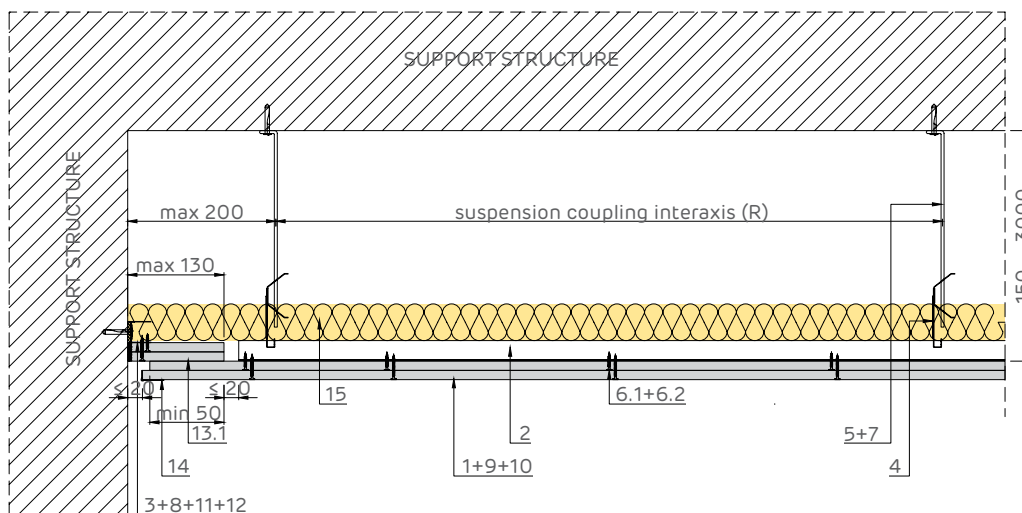
Rigid jointing with sturdy item  
Longitudinal section



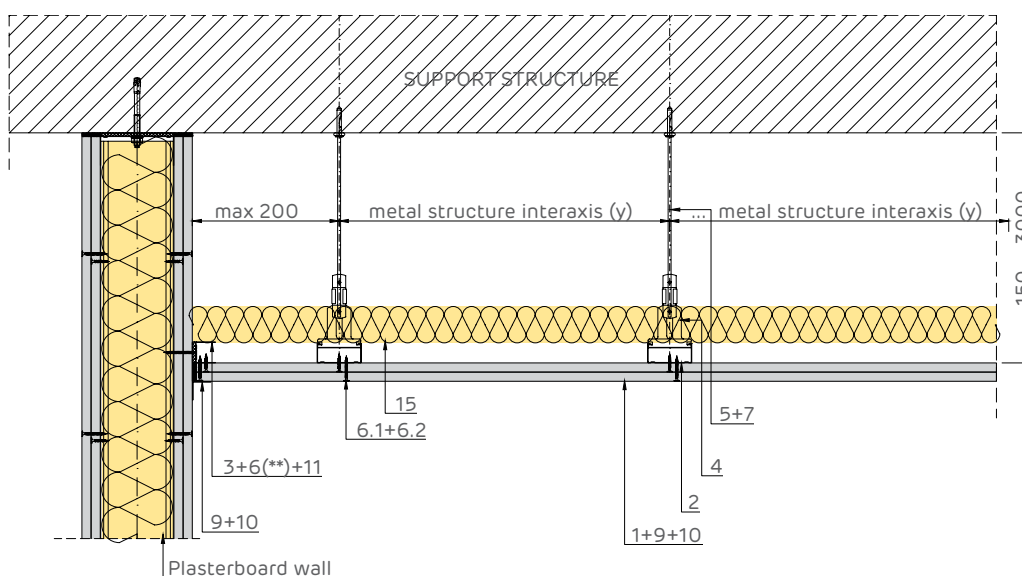
Sliding joint with sturdy items  
Cross section



## Sliding jointing with sturdy item Longitudinal section



## Jointing with plasterboard wall Cross section

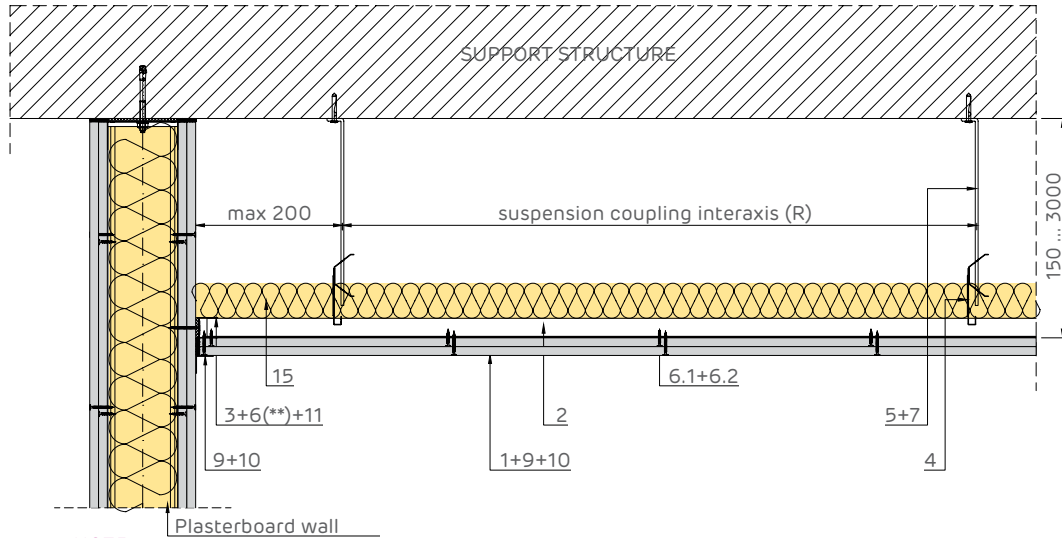


### NOTE:

(\*\*) The self-tapping screw will be fixed to the metal structure of the plasterboard wall, choosing the length according to the thickness of the wall package (thickness of the wall board layers).

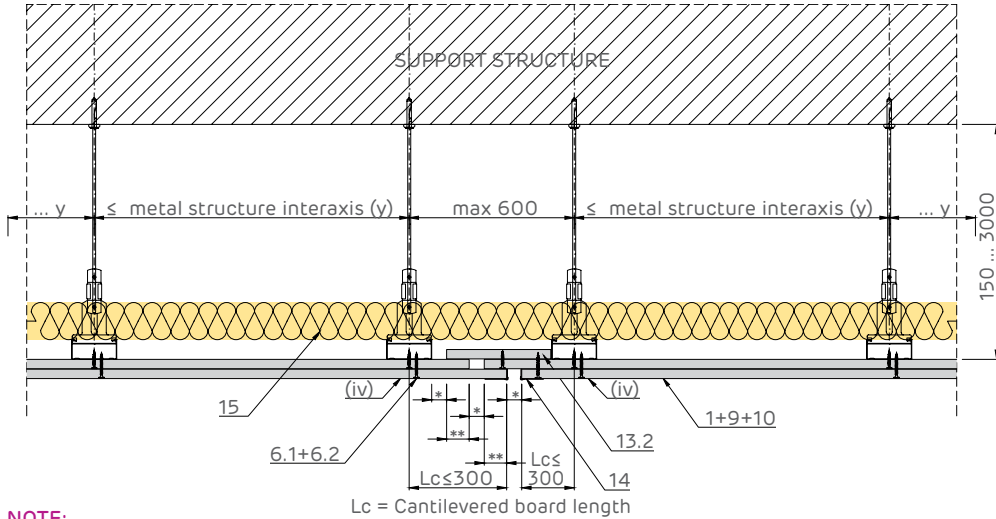
- |  |  |
|--|--|
| ① 2 x Siniat plasterboard                          | ⑨ Jointing tape (*2)                                 |
| ② NIDA Metal CD60 profile                          | ⑩ NIDA Profesional jointing plaster                  |
| ③ NIDA Metal UD30 runner profile                   | ⑪ Single-sided adhesive sealing tape                 |
| ④ CD60 NIDA Metal suspension coupling              | ⑫ Joint treated with NIDA Boardfix                   |
| ⑤ Ring rod   | ⑬ 1. 2 x Siniat board strip                          |
| ⑥ 1. Self-tapping 212 x L1 @ 600 mm                | 2. 1 x Siniat board strip pre-mounted with 212 screw |
| 2. Self-tapping 212 x L2 @ 300 mm                  | ⑭ Corner protection profile                          |
| ⑦ Mechanical fixing (*1) , 1 pc/fastening          | ⑮ Mineral wool (*3)                                  |
| ⑧ Mechanical fixing (*1), laid out at 500 mm pitch |  |

Jointing with plasterboard wall  
Longitudinal section



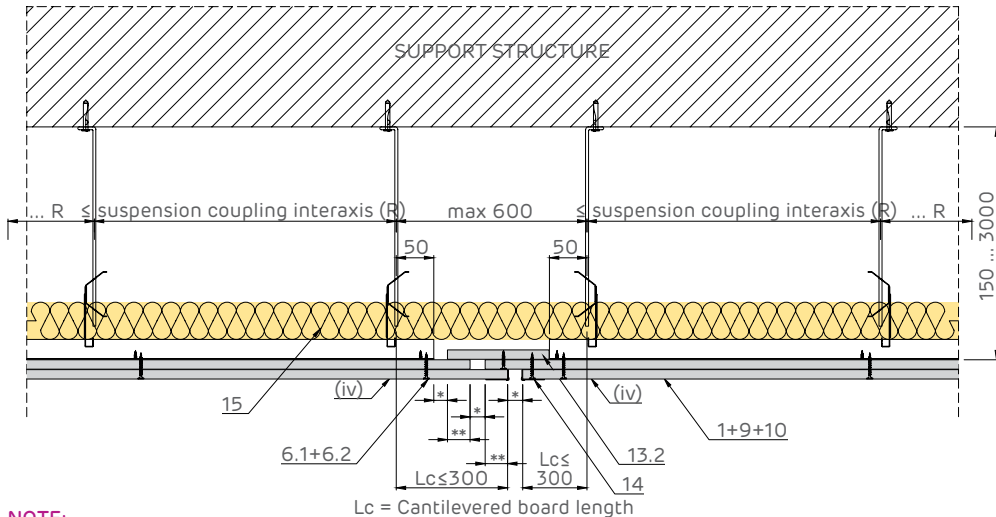
**NOTE:**  
(\*\*) The self-tapping screw will be fixed to the metal structure of the plasterboard wall, choosing the length according to the thickness of the wall package (thickness of the wall board layers).

Expansion joint  
Cross section



**NOTE:**  
(iv) For the last plasterboard layer, it is not acceptable to make a joint in front of the specified profile; The joint should also be placed in front of the structural joints;  
\* The size of the joint will also be determined by the size of the structural joint, but not less than 20 mm;  
\*\* The board overlap will have a minimum size of (\* + 10 mm)

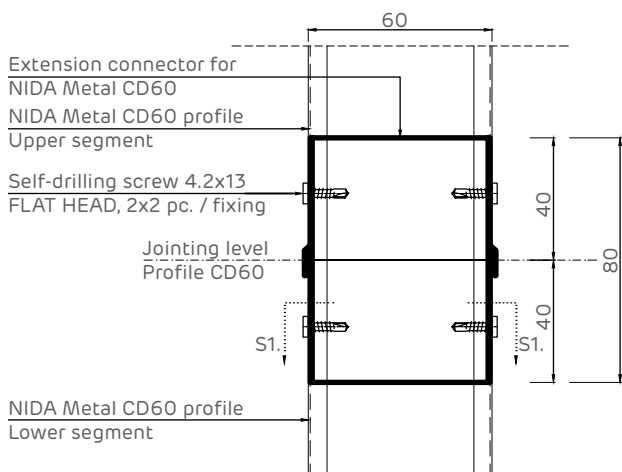
Expansion joint  
Longitudinal section



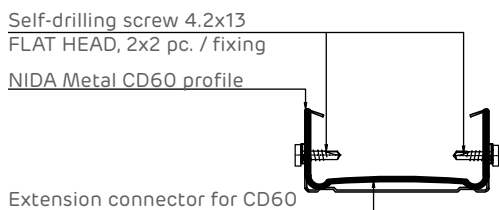
**NOTE:**  
(iv) For the last plasterboard layer, it is not acceptable to make a joint in front of the specified profile; The joint should also be placed in front of the structural joints;  
\* The size of the joint will also be determined by the size of the structural joint, but not less than 20 mm;  
\*\* The board overlap will have a minimum size of (\* + 10 mm)



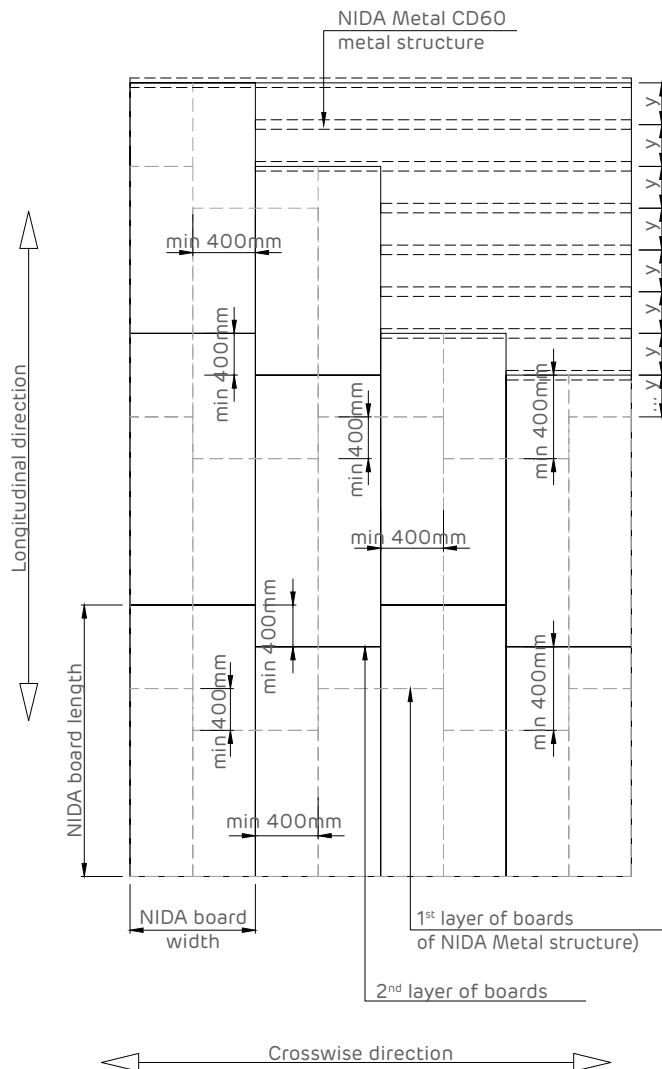
### Detail of NIDA Metal CD60 profile extension



### Section S1 - S1



### Board joint staggering System elevation



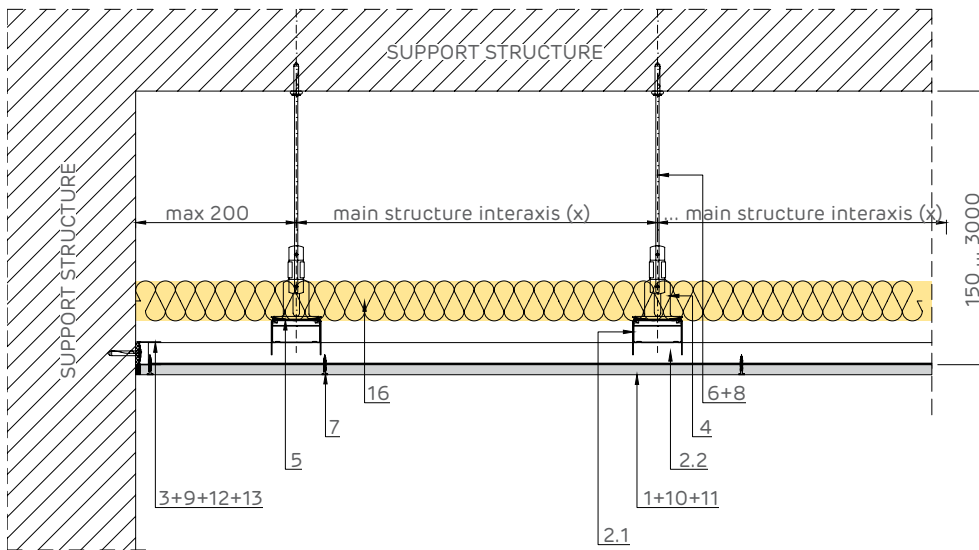
The boards should be mounted with the length perpendicular to the NIDA Metal CD60 profiles. The overlap of the boards lengthwise is minimum 400 mm.

- 1 2 x Siniat plasterboard
- 2 NIDA Metal CD60 profile
- 3 NIDA Metal UD30 runner profile
- 4 CD60 NIDA Metal suspension coupling
- 5 Ring rod
- 6 1. Self-tapping 212 x L1 @ 600 mm  
2. Self-tapping 212 x L2 @ 300 mm
- 7 Mechanical fixing (\*1) , 1 pc/fastening
- 8 Mechanical fixing (\*1), laid out at 500 mm pitch
- 9 Jointing tape (\*2)
- 10 NIDA Profesional jointing plaster
- 11 Single-sided adhesive sealing tape
- 12 Joint treated with NIDA Boardfix
- 13 1. 2 x Siniat board strip  
2. 1 x Siniat board strip pre-mounted with 212 screw
- 14 Corner protection profile
- 15 Mineral wool (\*3)

## NIDA System P1.S2.CD/UD.T: NIDA System suspended ceiling, single layer on double structure with suspension coupling

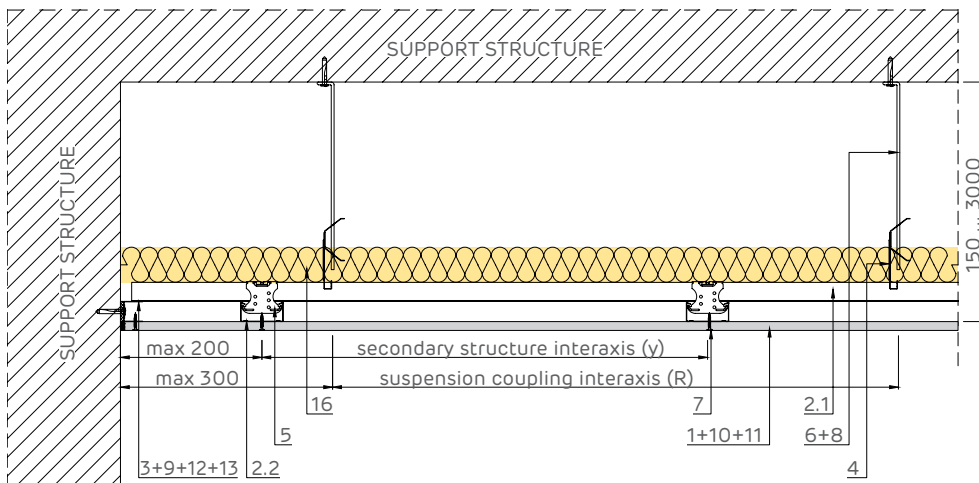
Rigid jointing with sturdy item

Cross section



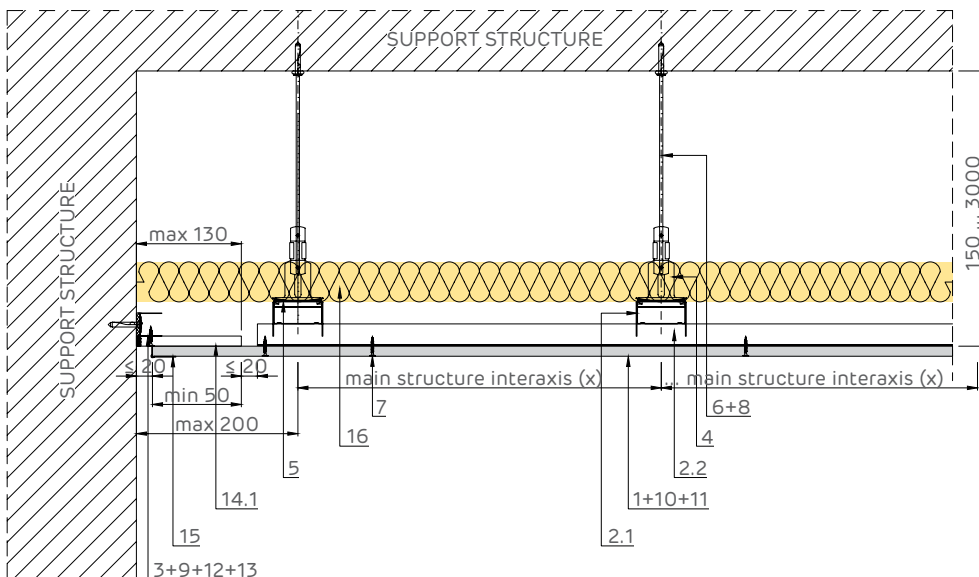
Rigid jointing with sturdy item

Longitudinal section

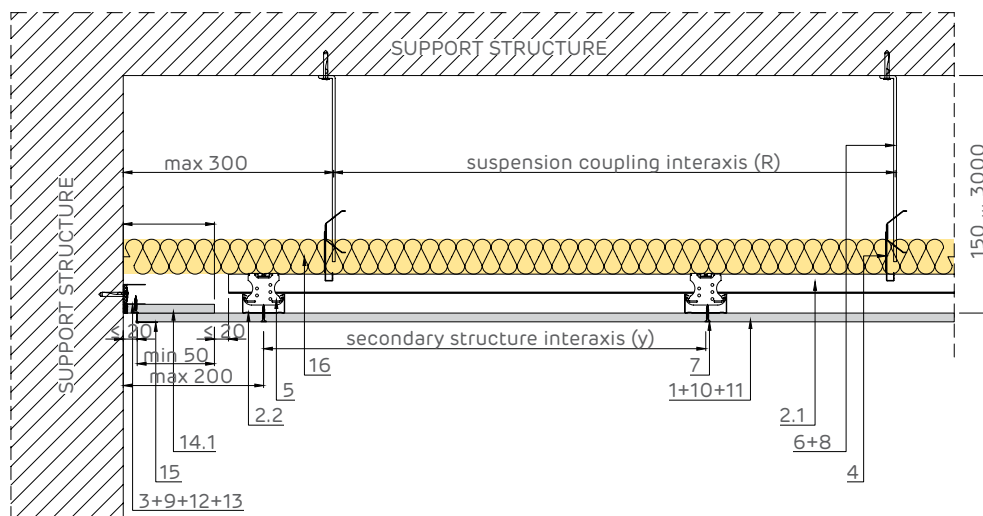


Sliding joint with sturdy items

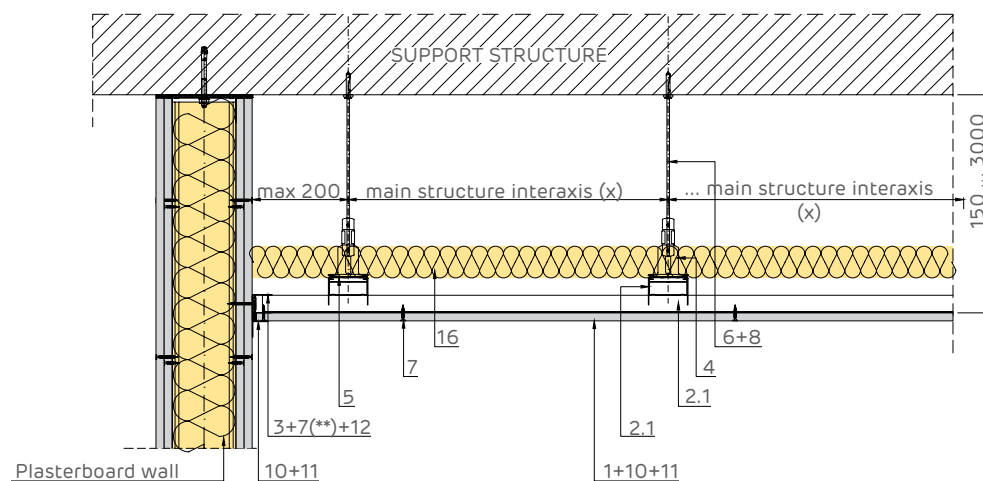
Cross section



## Sliding jointing with sturdy item Longitudinal section



## Jointing with plasterboard wall Cross section

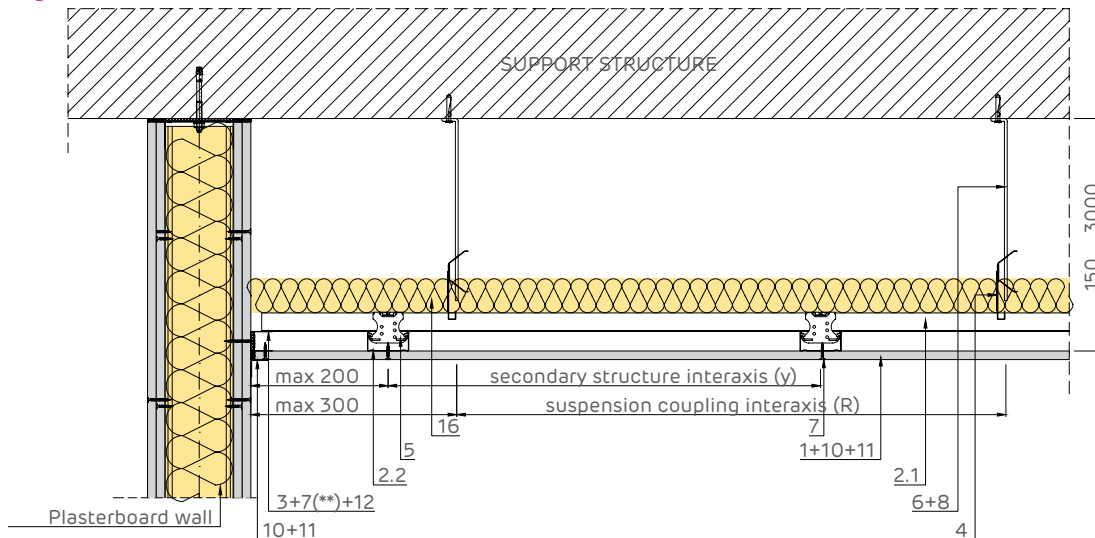


### NOTE:

(\*\*) The self-tapping screw will be fixed to the metal structure of the plasterboard wall, choosing the length according to the thickness of the wall package (thickness of the wall board layers).

- |   |   |
|---|---|
| ① 1 x Siniat plasterboard   | ⑨ Mechanical fixing (*1), laid out at 500 mm pitch                                  |
| ② 1. NIDA Metal CD60 main profile<br>2. NIDA Metal CD60 secondary profile | ⑩ Jointing tape (*2)  |
| ③ NIDA Metal UD30 runner profile  | ⑪ NIDA Profesional jointing plaster   |
| ④ CD60 NIDA Metal suspension coupling                                     | ⑫ Single-sided adhesive sealing tape  |
| ⑤ NIDA Metal CD60 double joint connection                                 | ⑬ Joint treated with NIDA Boardfix  |
| ⑥ Ring rod  | ⑭ 1. 1 x Siniat board strip<br>2. 1 x Siniat board strip pre-mounted with 212 screw |
| ⑦ Self-tapping 212 x L1 @ 300 mm  | ⑮ Corner protection profile   |
| ⑧ Mechanical fixing (*1), 1 pc/fastening                                  | ⑯ Mineral wool (*3)   |

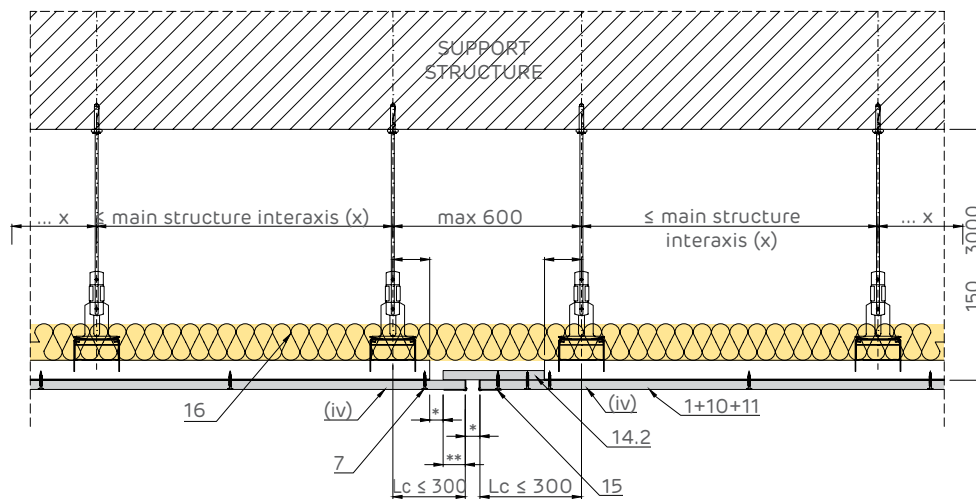
### Joining with plasterboard wall Longitudinal section



**NOTE:**

(\*\*) The self-tapping screw will be fixed to the metal structure of the plasterboard wall, choosing the length according to the thickness of the wall package (thickness of the wall board layers).

### Expansion joint Cross section



**NOTE:**

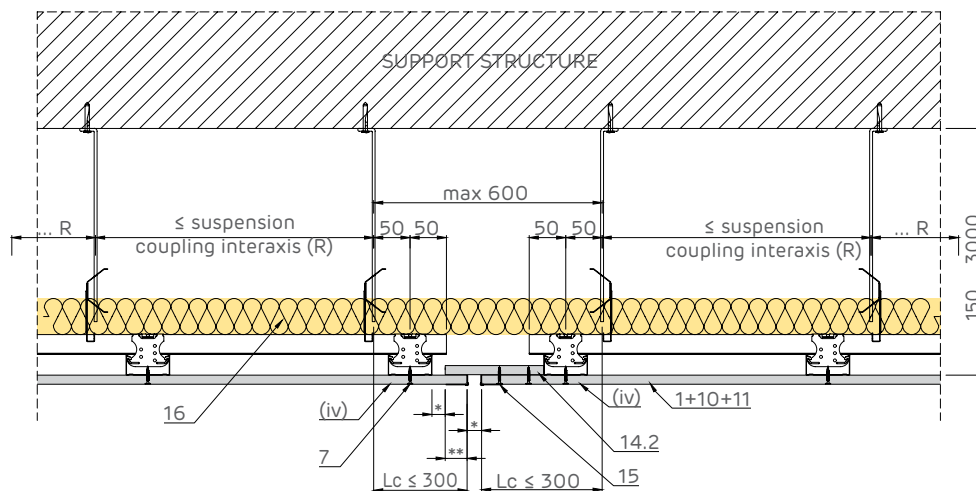
(iv) For the last plasterboard layer, it is not acceptable to make a joint in front of the specified profile;

The joint should also be placed in front of the structural joints;

\* The size of the joint will also be determined by the size of the structural joint, but not less than 20 mm;

\*\* The board overlap will have a minimum size of (\* + 10 mm)

### Expansion joint Longitudinal section



**NOTE:**

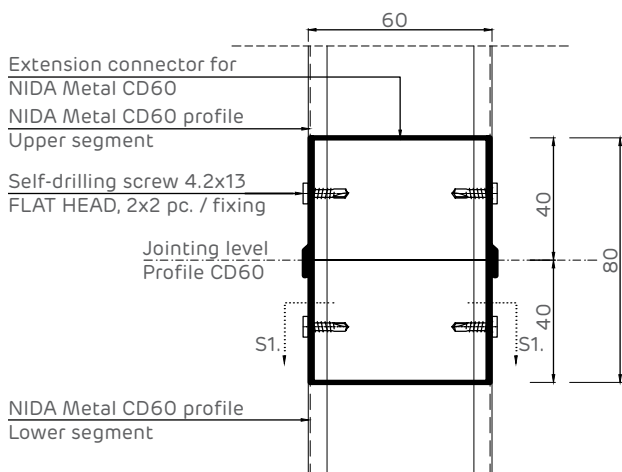
(iv) For the last plasterboard layer, it is not acceptable to make a joint in front of the specified profile;

The joint should also be placed in front of the structural joints;

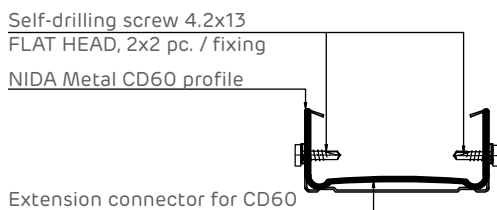
\* The size of the joint will also be determined by the size of the structural joint, but not less than 20 mm;

\*\* The board overlap will have a minimum size of (\* + 10 mm)

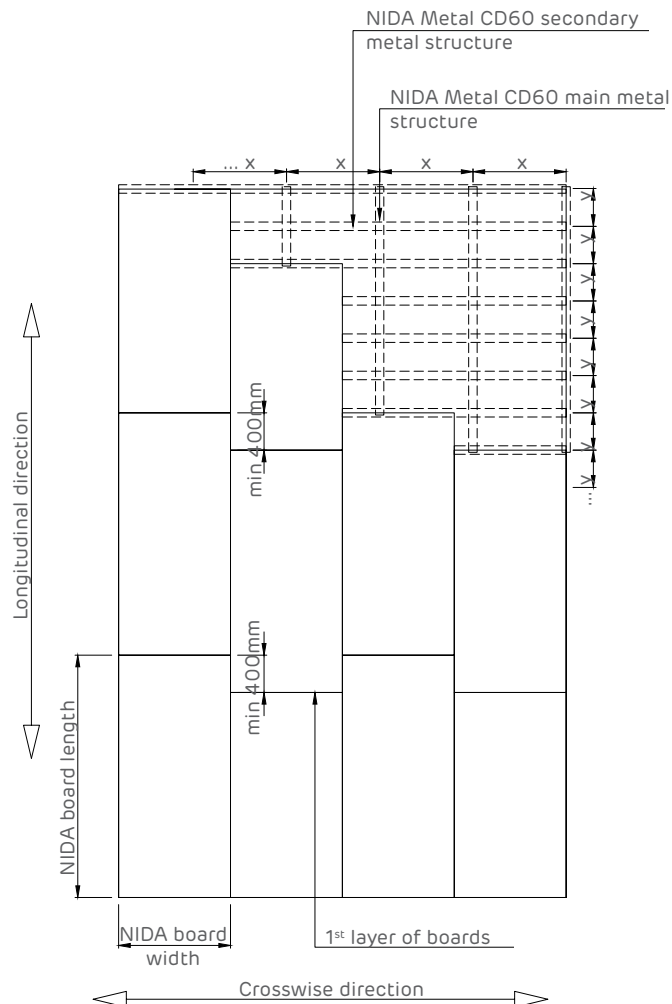
## Detail of NIDA Metal CD60 profile extension



### Section S1 - S1



## Board joint staggering System elevation



The boards should be mounted with the length perpendicular to the NIDA Metal CD60 profiles. The overlap of the boards lengthwise is minimum 400 mm.'

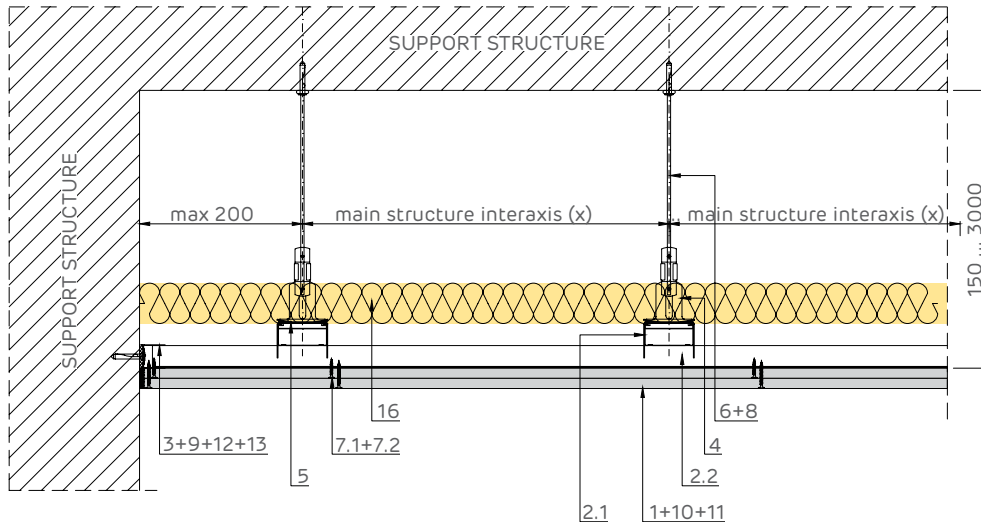
- 1 1 x Siniat plasterboard
- 2 1. NIDA Metal CD60 main profile  
2. NIDA Metal CD60 secondary profile
- 3 NIDA Metal UD30 runner profile
- 4 CD60 NIDA Metal suspension coupling
- 5 NIDA Metal CD60 double joint connection
- 6 Ring rod
- 7 Self-tapping 212 x L1 @ 300 mm
- 8 Mechanical fixing (\*1) , 1 pc/fastening
- 9 Mechanical fixing (\*1), laid out at 500 mm pitch
- 10 Jointing tape (\*2)
- 11 NIDA Profesional jointing plaster
- 12 Single-sided adhesive sealing tape
- 13 Joint treated with NIDA Boardfix
- 14 1. 1 x Siniat board strip  
2. 1 x Siniat board strip pre-mounted with 212 screw
- 15 Corner protection profile
- 16 Mineral wool (\*3)

## NIDA System P2.S2.CD/UD.T:

### NIDA System suspended ceiling, double layer on double structure with suspension coupling

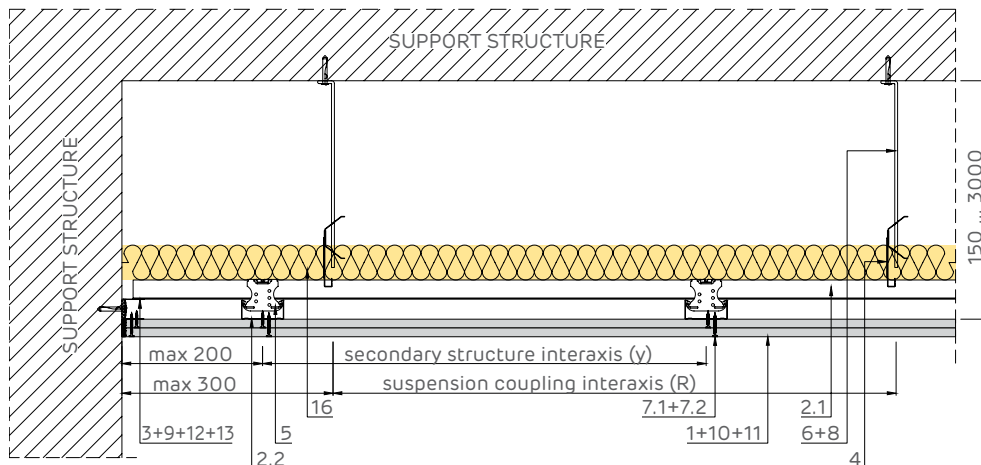
Rigid jointing with sturdy item

Cross section



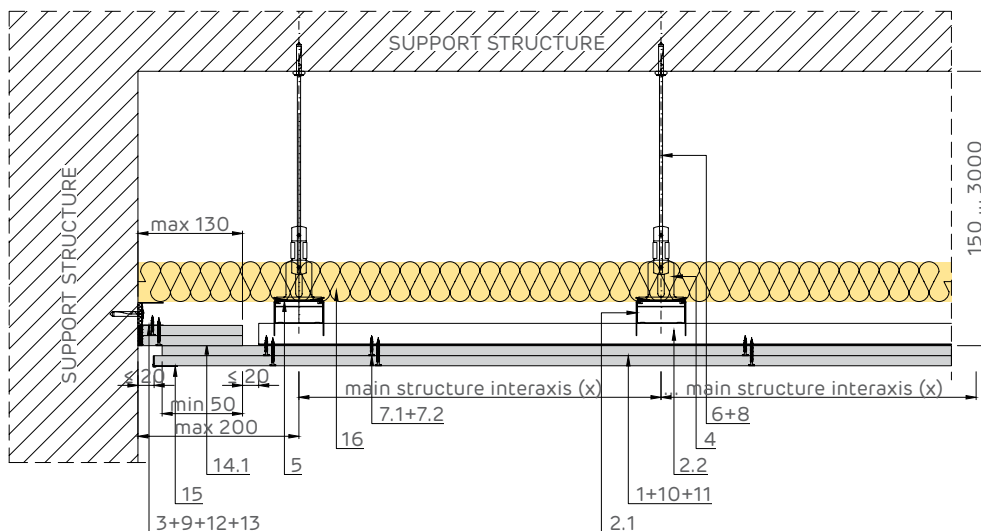
Rigid jointing with sturdy item

Longitudinal section

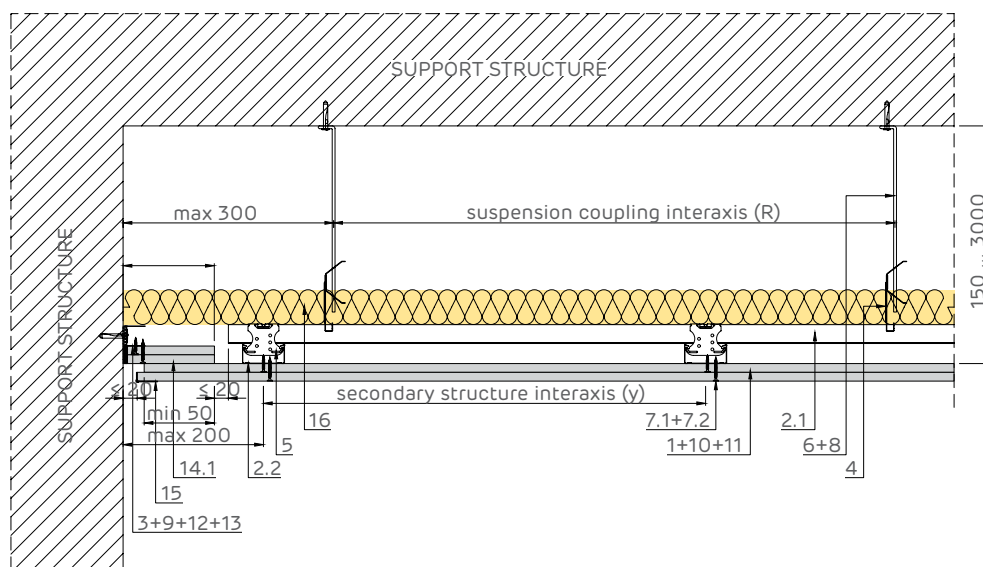


Sliding joint with sturdy items

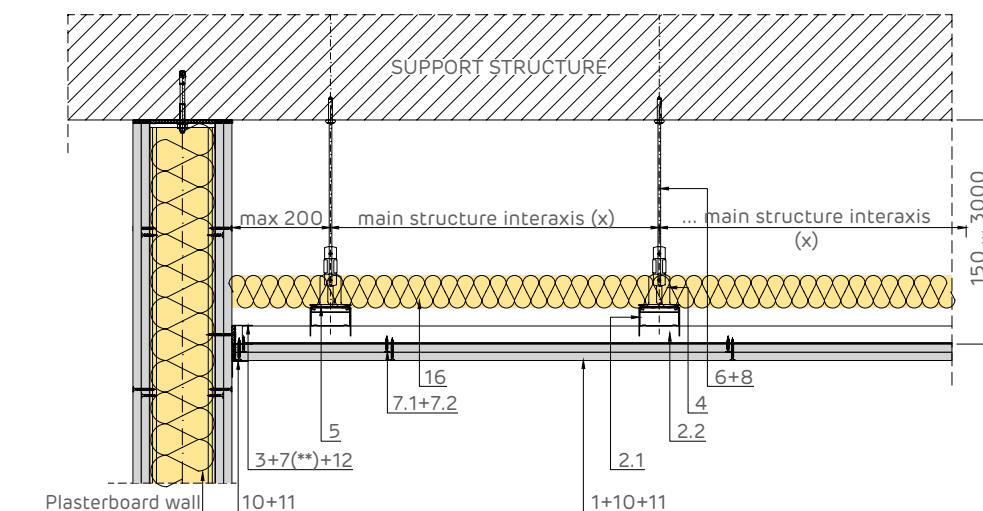
Cross section



## Sliding jointing with sturdy item Longitudinal section



## Jointing with plasterboard wall Cross section



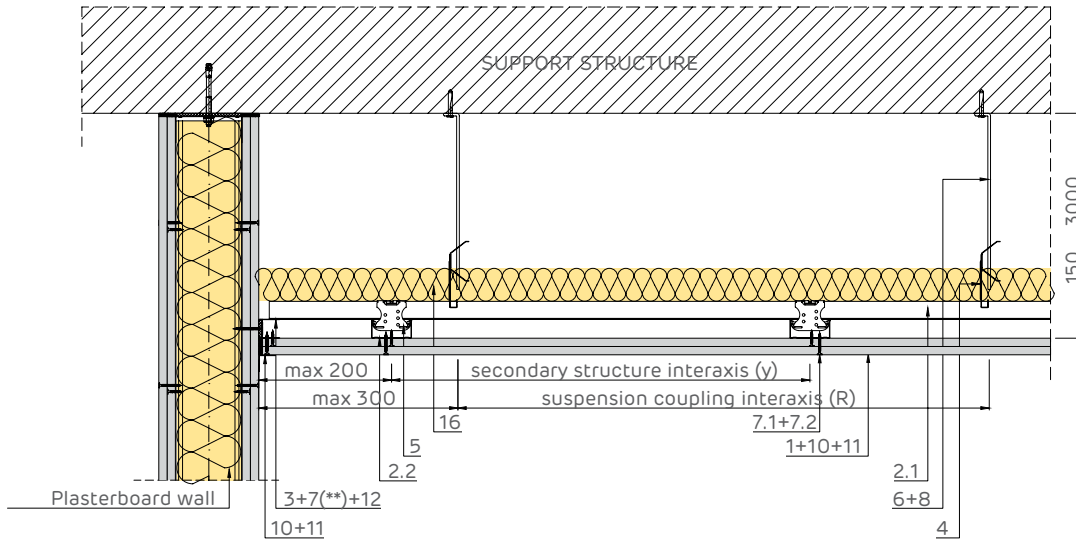
### NOTE:

(\*\*) The self-tapping screw will be fixed to the metal structure of the plasterboard wall, choosing the length according to the thickness of the wall package (thickness of the wall board layers).

- |   |   |
|---|---|
| ① 2 x Siniat plasterboard   | ⑨ Mechanical fixing (*1), laid out at 500 mm pitch                                  |
| ② 1. NIDA Metal CD60 main profile<br>2. NIDA Metal CD60 secondary profile | ⑩ Jointing tape (*2)  |
| ③ NIDA Metal UD30 runner profile  | ⑪ NIDA Profesional jointing plaster   |
| ④ CD60 NIDA Metal suspension coupling                                     | ⑫ Single-sided adhesive sealing tape  |
| ⑤ NIDA Metal CD60 double joint connection                                 | ⑬ Joint treated with NIDA Boardfix  |
| ⑥ Ring rod  | ⑭ 1. 2 x Siniat board strip<br>2. 1 x Siniat board strip pre-mounted with 212 screw |
| ⑦ 1. Self-tapping 212 x L1 @ 600 mm<br>2. Self-tapping 212 x L2 @ 300 mm  | ⑮ Corner protection profile   |
| ⑧ Mechanical fixing (*1), 1 pc/fastening                                  | ⑯ Mineral wool (*3)   |



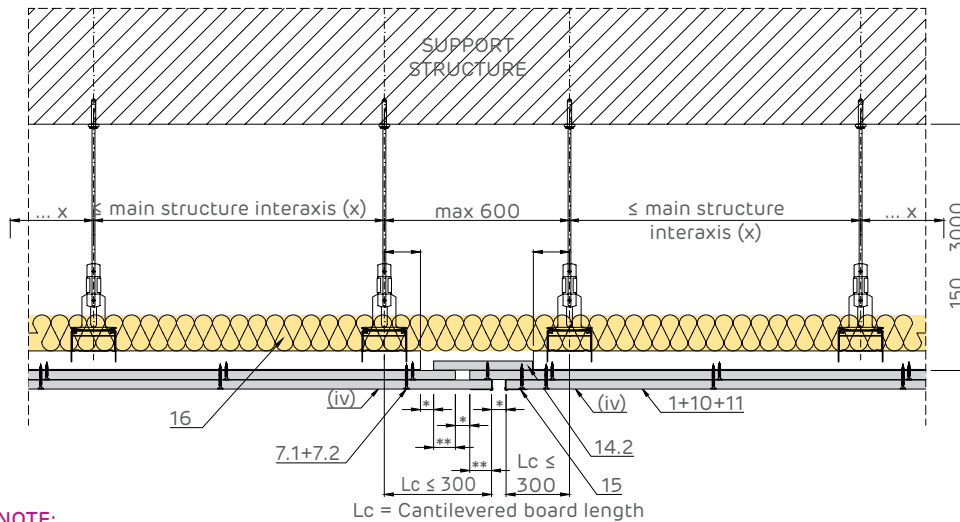
### Joining with plasterboard wall Longitudinal section



**NOTE:**

(\*\*) The self-tapping screw will be fixed to the metal structure of the plasterboard wall, choosing the length according to the thickness of the wall package (thickness of the wall board layers).

### Expansion joint Cross section



**NOTE:**

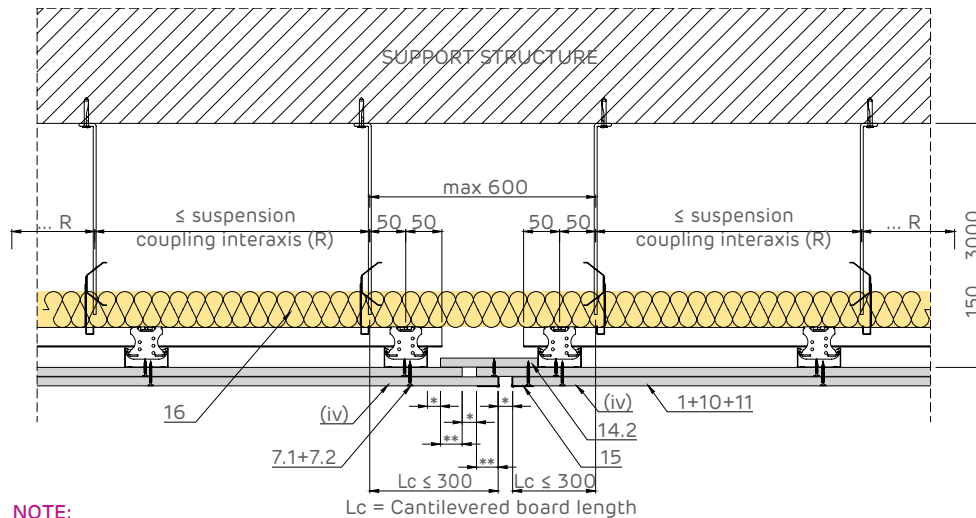
(iv) For the last plasterboard layer, it is not acceptable to make a joint in front of the specified profile;

The joint should also be placed in front of the structural joints;

\* The size of the joint will also be determined by the size of the structural joint, but not less than 20 mm;

\*\* The board overlap will have a minimum size of (\* + 10 mm)

### Expansion joint Longitudinal section



**NOTE:**

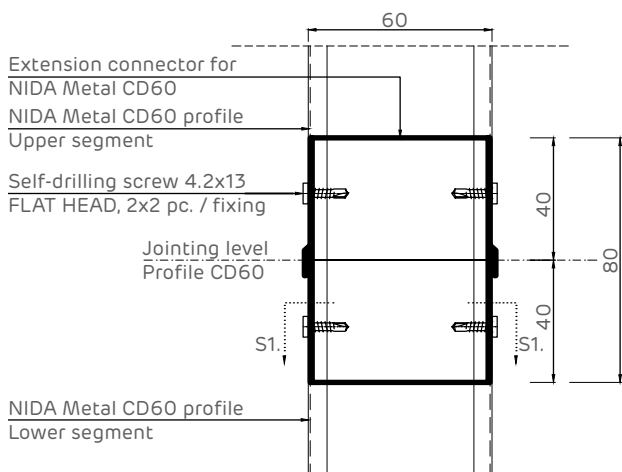
(iv) For the last plasterboard layer, it is not acceptable to make a joint in front of the specified profile;

The joint should also be placed in front of the structural joints;

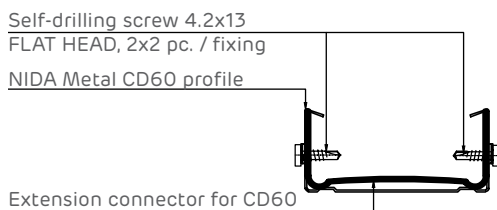
\* The size of the joint will also be determined by the size of the structural joint, but not less than 20 mm;

\*\* The board overlap will have a minimum size of (\* + 10 mm)

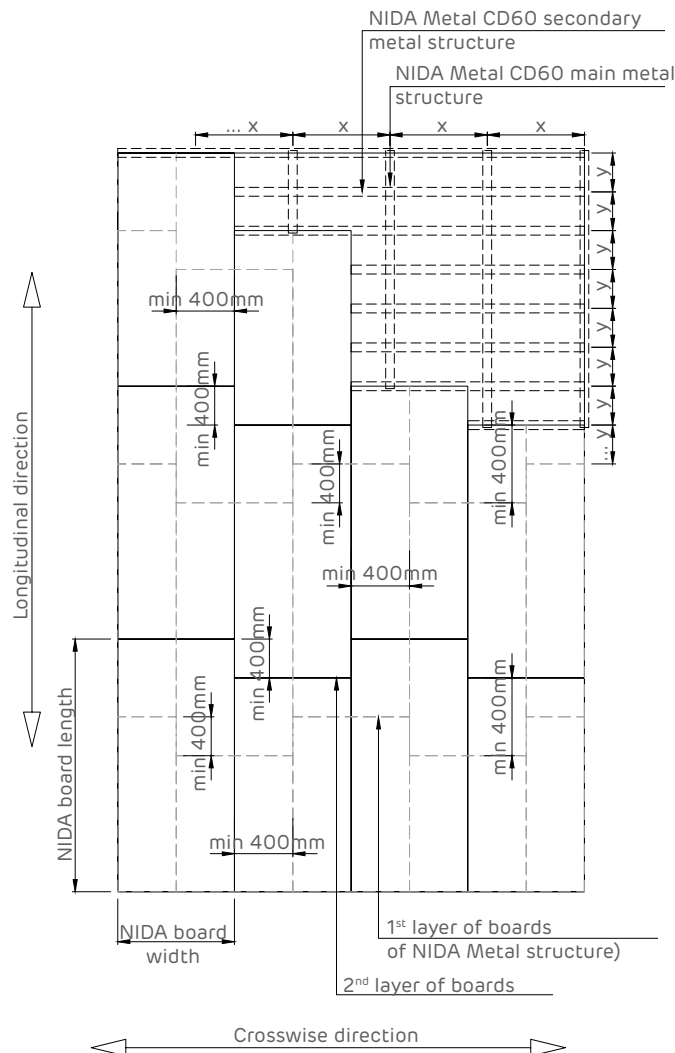
### Detail of NIDA Metal CD60 profile extension



### Section S1 - S1



### Board joint staggering System elevation



The boards should be mounted with the length perpendicular to the NIDA Metal CD60 profiles. The overlap of the boards lengthwise is minimum 400 mm.

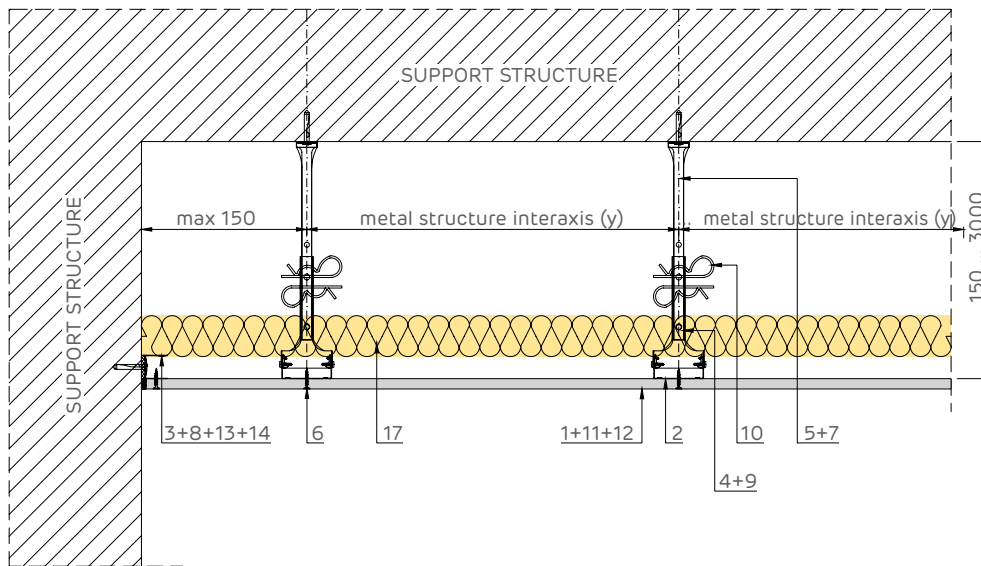
- 1 2 x Siniat plasterboard
- 2 1. NIDA Metal CD60 main profile  
2. NIDA Metal CD60 secondary profile
- 3 NIDA Metal UD30 runner profile
- 4 CD60 NIDA Metal suspension coupling
- 5 NIDA Metal CD60 double joint connection
- 6 Ring rod
- 7 1. Self-tapping 212 x L1 @ 600 mm  
2. Self-tapping 212 x L2 @ 300 mm
- 8 Mechanical fixing (\*1), 1 pc/fastening
- 9 Mechanical fixing (\*1), laid out at 500 mm pitch
- 10 Jointing tape (\*2)
- 11 NIDA Profesional jointing plaster
- 12 Single-sided adhesive sealing tape
- 13 Joint treated with NIDA Boardfix
- 14 1. 2 x Siniat board strip  
2. 1 x Siniat board strip pre-mounted with 212 screw
- 15 Corner protection profile
- 16 Mineral wool (\*3)

# NIDA System P1.S1.CD/UD.N:

## NIDA System suspended ceiling, single layer on single structure with Nonius hanger

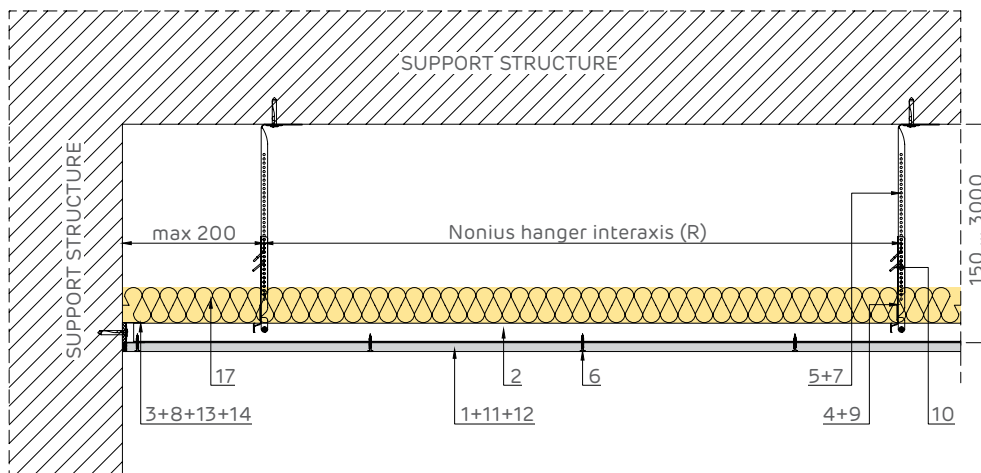
Rigid jointing with sturdy item

Cross section



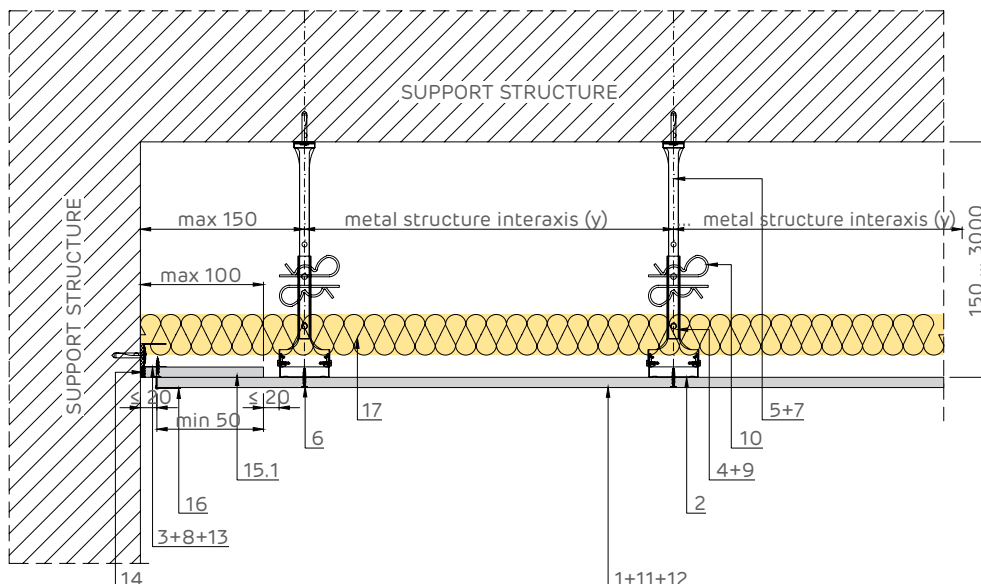
Rigid jointing with sturdy item

Longitudinal section

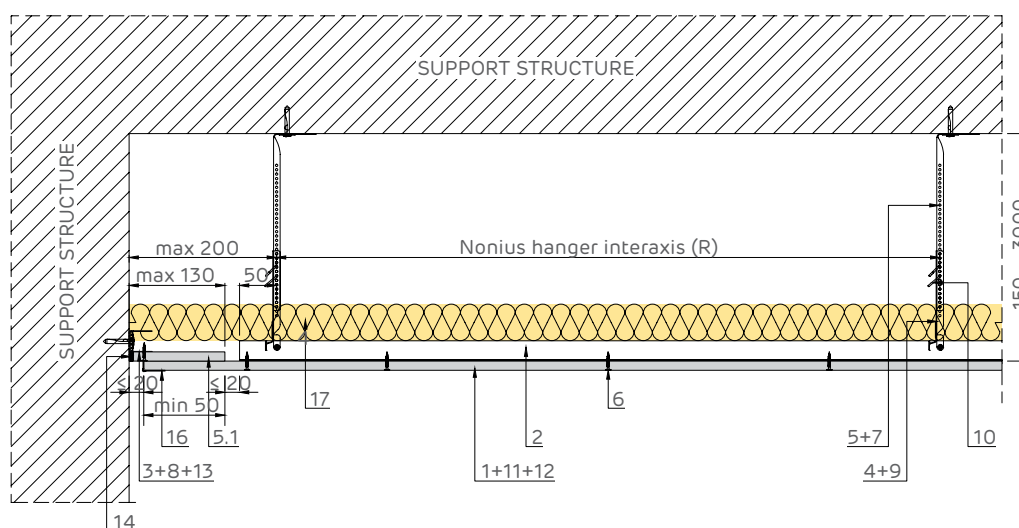


Sliding joint with sturdy items

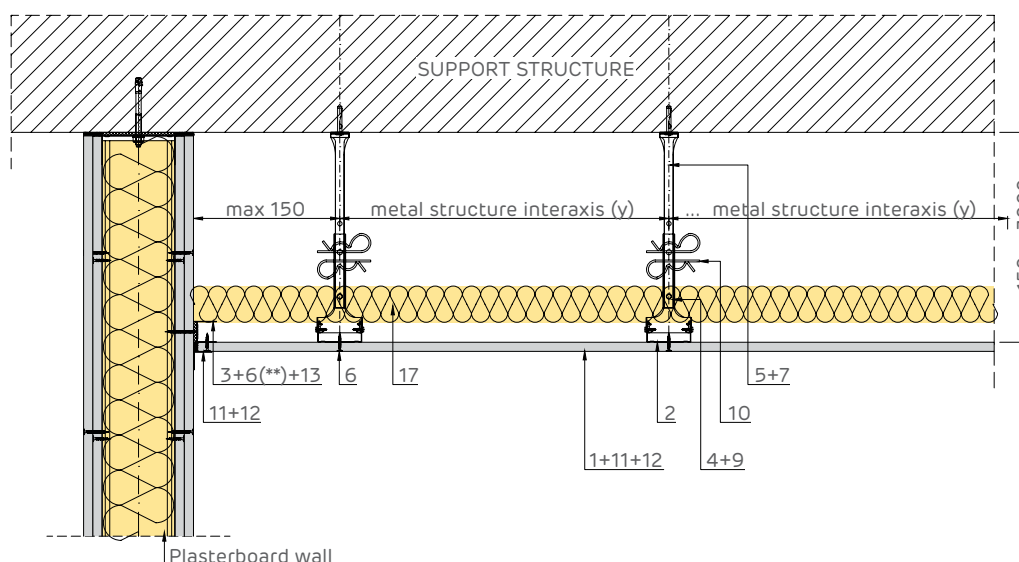
Cross section



## Sliding jointing with sturdy item Longitudinal section



## Jointing with plasterboard wall Cross section

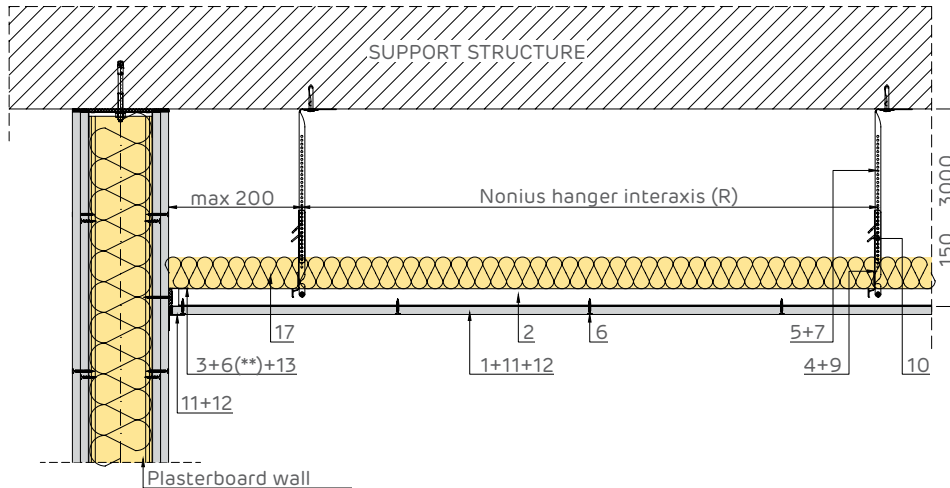


### NOTE:

(\*\*) The self-tapping screw will be fixed to the metal structure of the plasterboard wall, choosing the length according to the thickness of the wall package (thickness of the wall board layers).

- |  |   |
|--|---|
| ① 1 x Siniat plasterboard                          | ⑩ Nonius clamp 2 pcs./fastening   |
| ② NIDA Metal CD60 profile                          | ⑪ NIDA Professional jointing plaster  |
| ③ NIDA Metal UD30 runner profile                   | ⑫ Jointing tape (*2)  |
| ④ NIDA Metal lower Nonius hanger                   | ⑬ Single-sided adhesive sealing tape  |
| ⑤ NIDA Metal upper Nonius hanger                   | ⑭ Joint treated with NIDA Boardfix  |
| ⑥ Self-tapping screw 212 x L1 @ 300 mm             | ⑮ 1. 1 x Siniat board strip<br>2. 1 x Siniat board strip pre-mounted with 212 screw |
| ⑦ Mechanical fixing (*1) , 1 pc/fastening          | ⑯ Corner protection profile   |
| ⑧ Mechanical fixing (*1), laid out at 500 mm pitch | ⑰ Mineral wool (*3)   |
| ⑨ Self-drilling screw 4.2x13 FLAT HEAD 2 pcs.      |   |

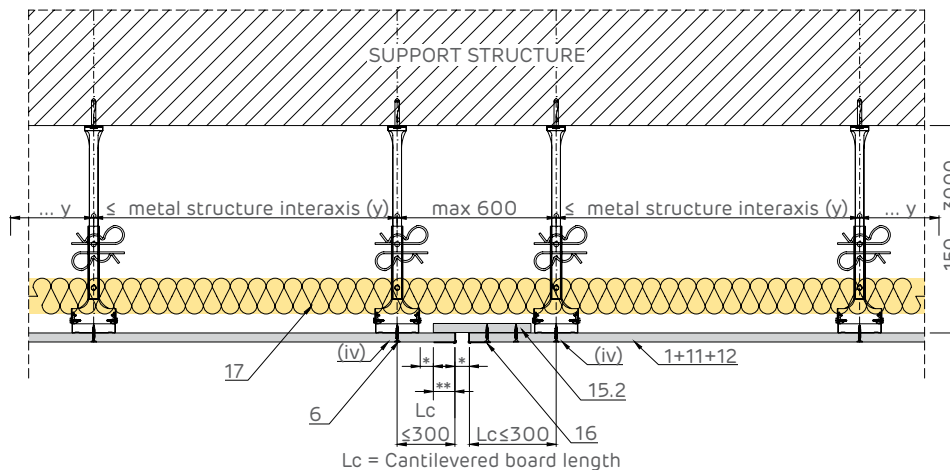
## Joining with plasterboard wall Longitudinal section



### NOTE:

(\*\*) The self-tapping screw will be fixed to the metal structure of the plasterboard wall, choosing the length according to the thickness of the wall package (thickness of the wall board layers).

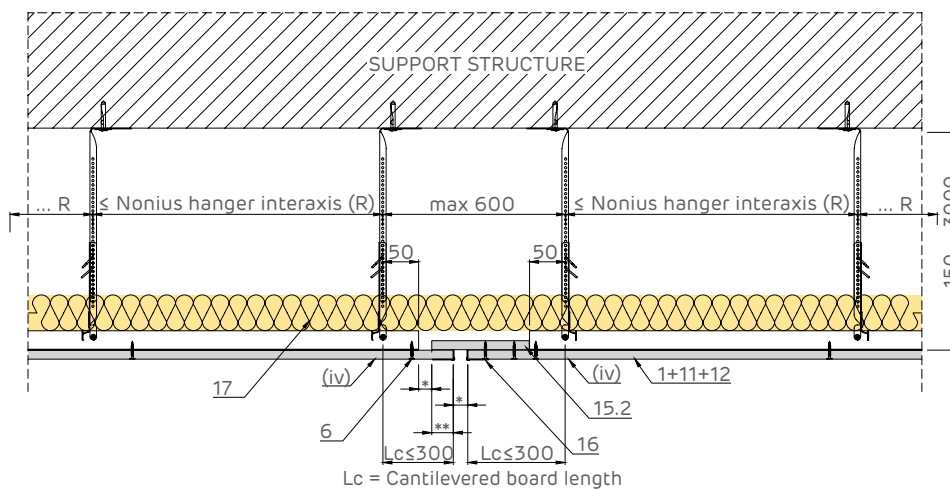
## Expansion joint Cross section



### NOTE:

(iv) For the last plasterboard layer, it is not acceptable to make a joint in front of the specified profile; The joint should also be placed in front of the structural joints;  
\* The size of the joint will also be determined by the size of the structural joint, but not less than 20 mm;  
\*\* The board overlap will have a minimum size of (\* + 10 mm)

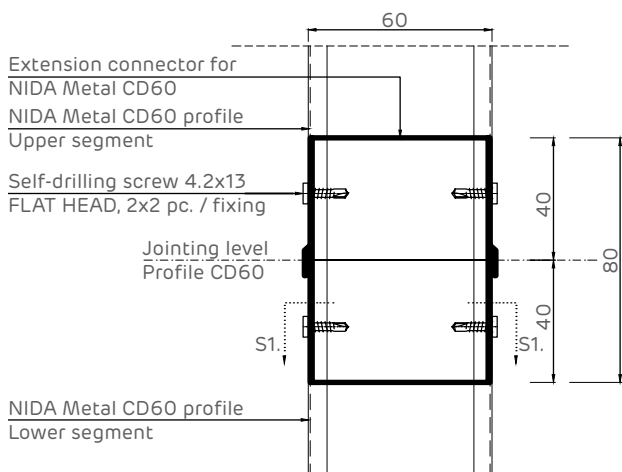
## Expansion joint Longitudinal section



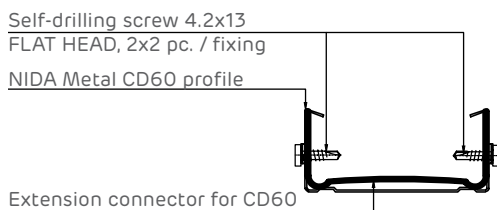
### NOTE:

(iv) For the last plasterboard layer, it is not acceptable to make a joint in front of the specified profile; The joint should also be placed in front of the structural joints;  
\* The size of the joint will also be determined by the size of the structural joint, but not less than 20 mm;  
\*\* The board overlap will have a minimum size of (\* + 10 mm)

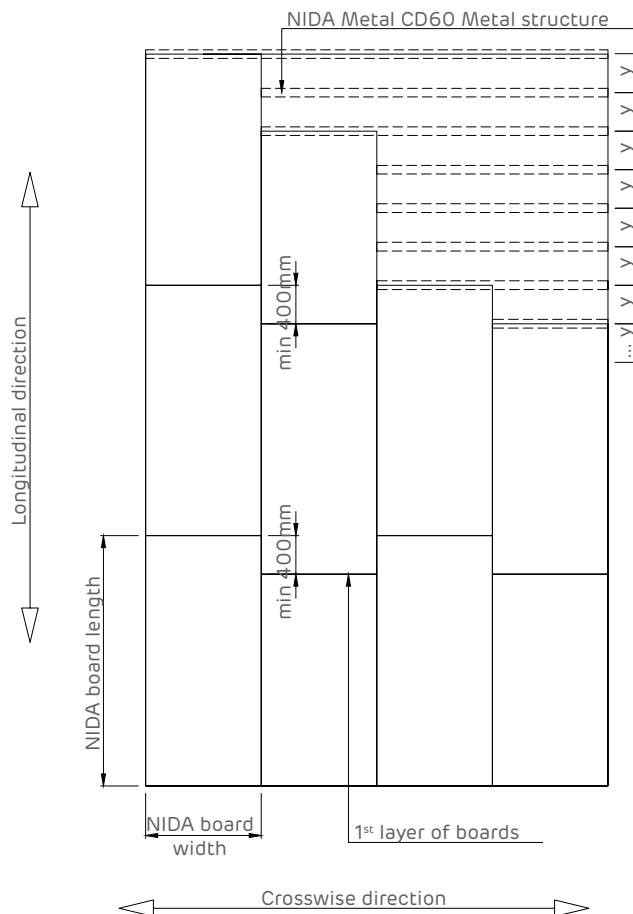
### Detail of NIDA Metal CD60 profile extension



### Section S1 - S1



### Board joint staggering System elevation

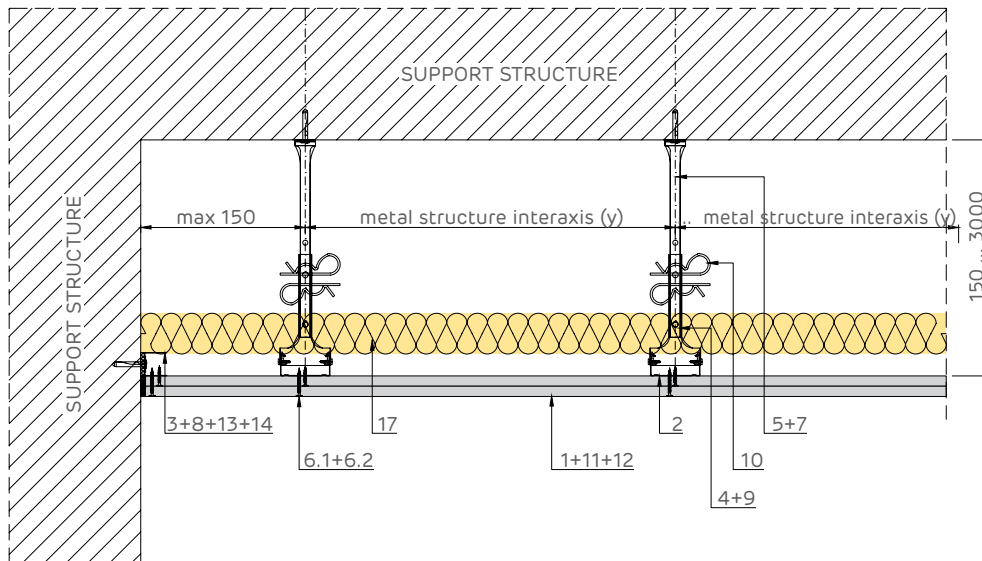


The boards should be mounted with the length perpendicular to the NIDA Metal CD60 profiles.  
The overlap of the boards lengthwise is minimum 400 mm.'

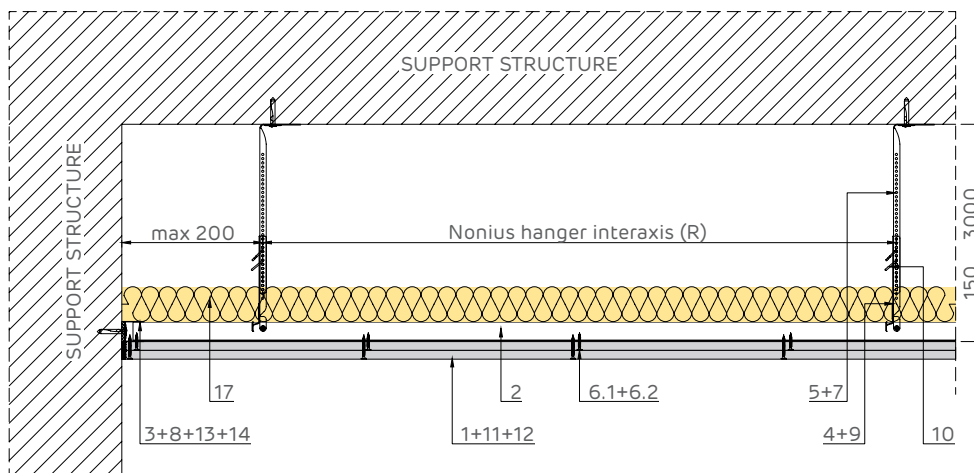
- 1 1 x Siniat plasterboard
- 2 NIDA Metal CD60 profile
- 3 NIDA Metal UD30 runner profile
- 4 NIDA Metal lower Nonius hanger
- 5 NIDA Metal upper Nonius hanger
- 6 Self-tapping screw 212 x L1 @ 300 mm
- 7 Mechanical fixing (\*1) , 1 pc/fastening
- 8 Mechanical fixing (\*1), laid out at 500 mm pitch
- 9 Self-drilling screw 4.2x13 FLAT HEAD 2 pcs.
- 10 Nonius clamp 2 pcs./fastening
- 11 NIDA Profesional jointing plaster
- 12 Jointing tape (\*2)
- 13 Single-sided adhesive sealing tape
- 14 Joint treated with NIDA Boardfix
- 15 1. 1 x Siniat board strip  
2. 1 x Siniat board strip pre-mounted with 212 screw
- 16 Corner protection profile
- 17 Mineral wool (\*3)

## NIDA System P2.S1.CD/UD.N: NIDA System suspended ceiling, double layer on single structure with Nonius hanger

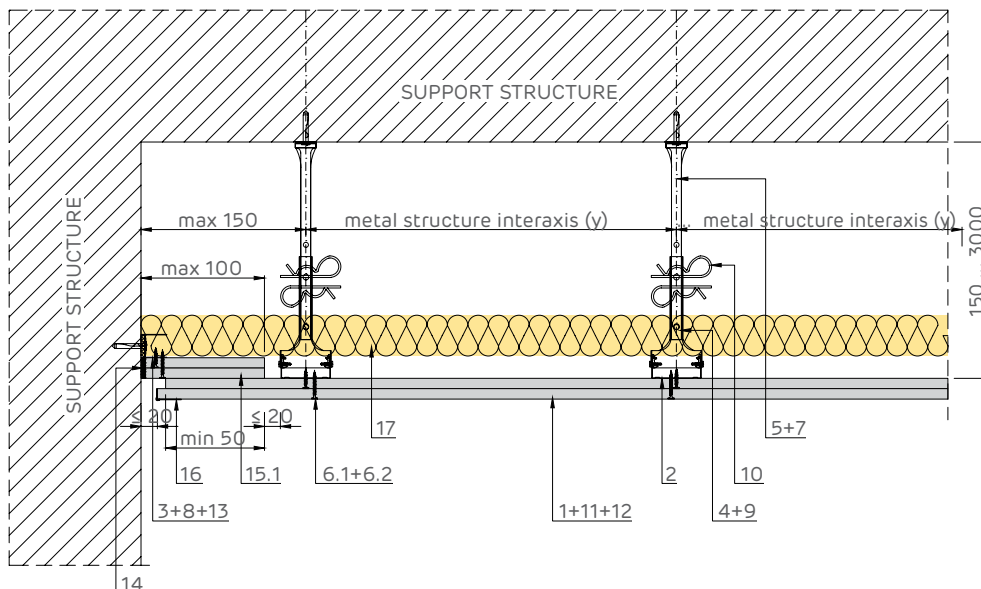
Rigid jointing with sturdy item  
Cross section



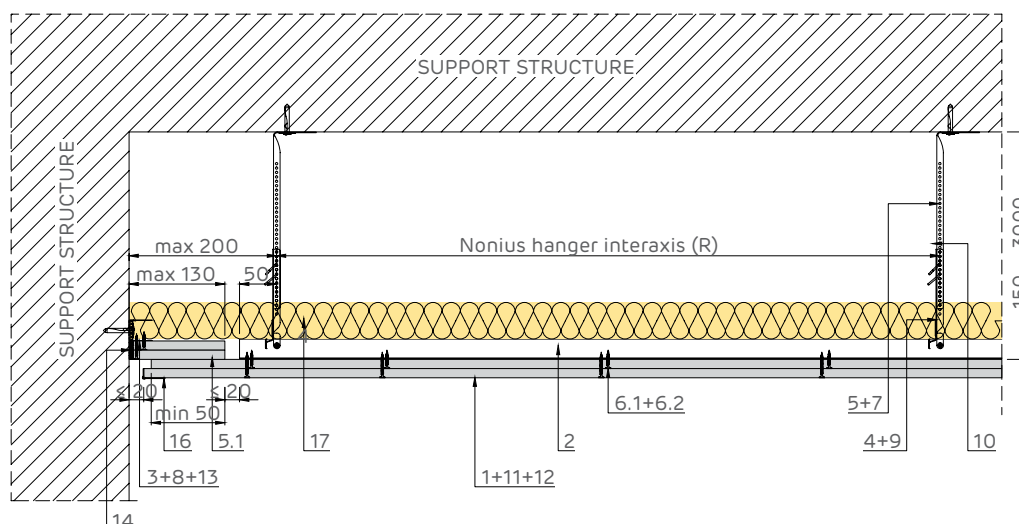
Rigid jointing with sturdy item  
Longitudinal section



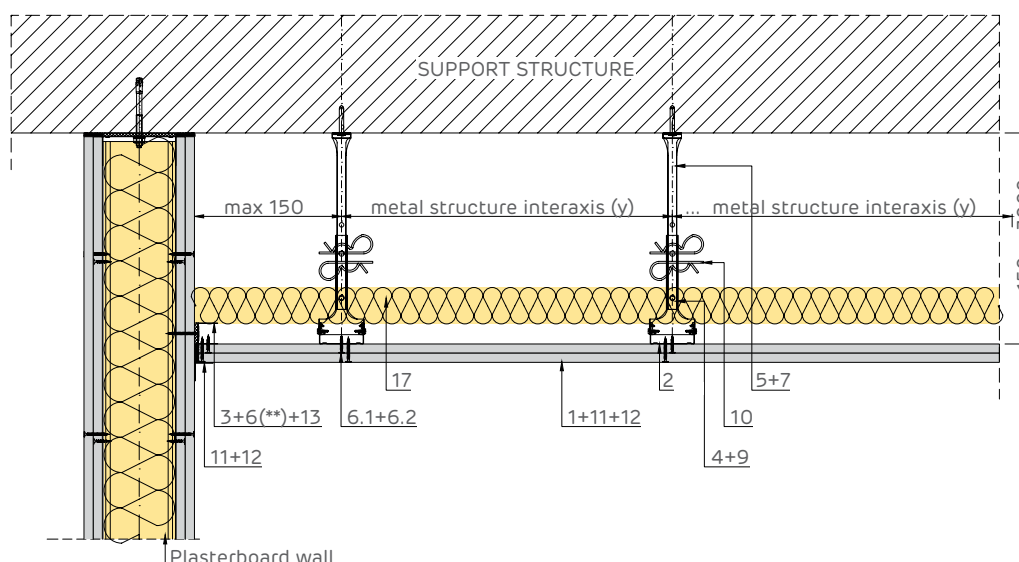
Sliding joint with sturdy items  
Cross section



## Sliding jointing with sturdy item Longitudinal section



## Jointing with plasterboard wall Cross section



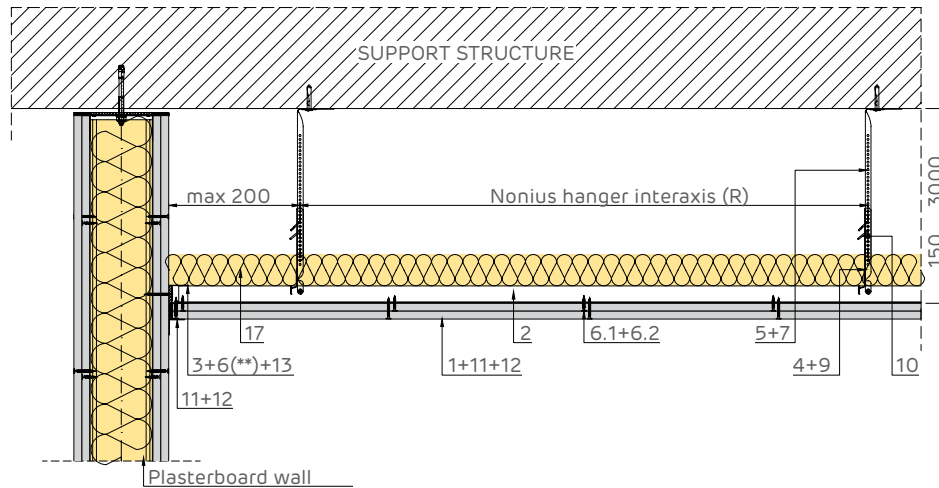
### NOTE:

(\*\*) The self-tapping screw will be fixed to the metal structure of the plasterboard wall, choosing the length according to the thickness of the wall package (thickness of the wall board layers).

- |  |  |
|--|--|
| ① 2 x Siniat plasterboard                          | ⑩ Nonius clamp 2 pcs./fastening                  |
| ② NIDA Metal CD60 profile                          | ⑪ NIDA Profesional jointing plaster              |
| ③ NIDA Metal UD30 runner profile                   | ⑫ Jointing tape (*2)                             |
| ④ NIDA Metal lower Nonius hanger                   | ⑬ Single-sided adhesive sealing tape             |
| ⑤ NIDA Metal upper Nonius hanger                   | ⑭ Joint treated with NIDA Boardfix               |
| ⑥ 1. Self-tapping screw 212 x L1 @ 600 mm          | ⑮ 1. 2 x Siniat board strip                      |
| 2. Self-tapping screw 212 x L2 @ 300 mm            | 2. Siniat board strip pre-mounted with 212 screw |
| ⑦ Mechanical fixing (*1) , 1 pc/fastening          | ⑯ Corner protection profile                      |
| ⑧ Mechanical fixing (*1), laid out at 500 mm pitch | ⑰ Mineral wool (*3)                              |
| ⑨ Self-drilling screw 4.2x13 FLAT HEAD 2 pcs.      |  |



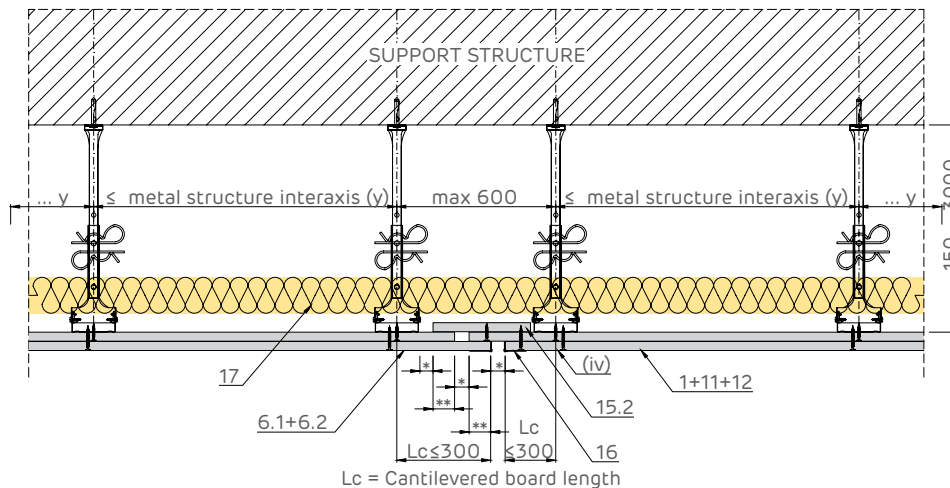
## Joining with plasterboard wall Longitudinal section



### NOTE:

(\*\*) The self-tapping screw will be fixed to the metal structure of the plasterboard wall, choosing the length according to the thickness of the wall package (thickness of the wall board layers).

## Expansion joint Cross section



### NOTE:

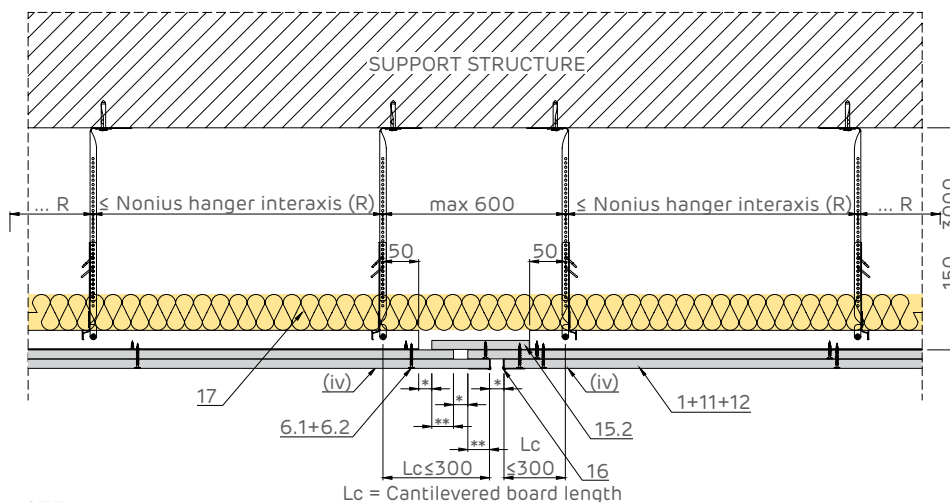
(iv) For the last plasterboard layer, it is not acceptable to make a joint in front of the specified profile;

The joint should also be placed in front of the structural joints;

\* The size of the joint will also be determined by the size of the structural joint, but not less than 20 mm;

\*\* The board overlap will have a minimum size of (\* + 10 mm)

## Expansion joint Longitudinal section



### NOTE:

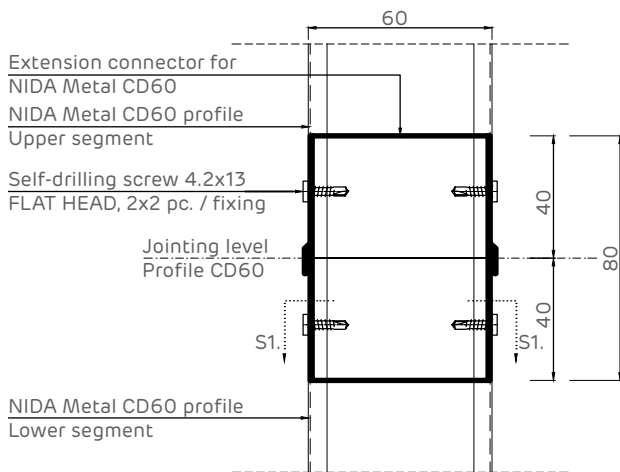
(iv) For the last plasterboard layer, it is not acceptable to make a joint in front of the specified profile;

The joint should also be placed in front of the structural joints;

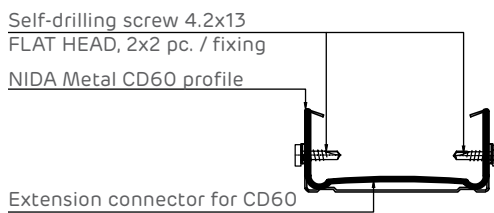
\* The size of the joint will also be determined by the size of the structural joint, but not less than 20 mm;

\*\* The board overlap will have a minimum size of (\* + 10 mm)

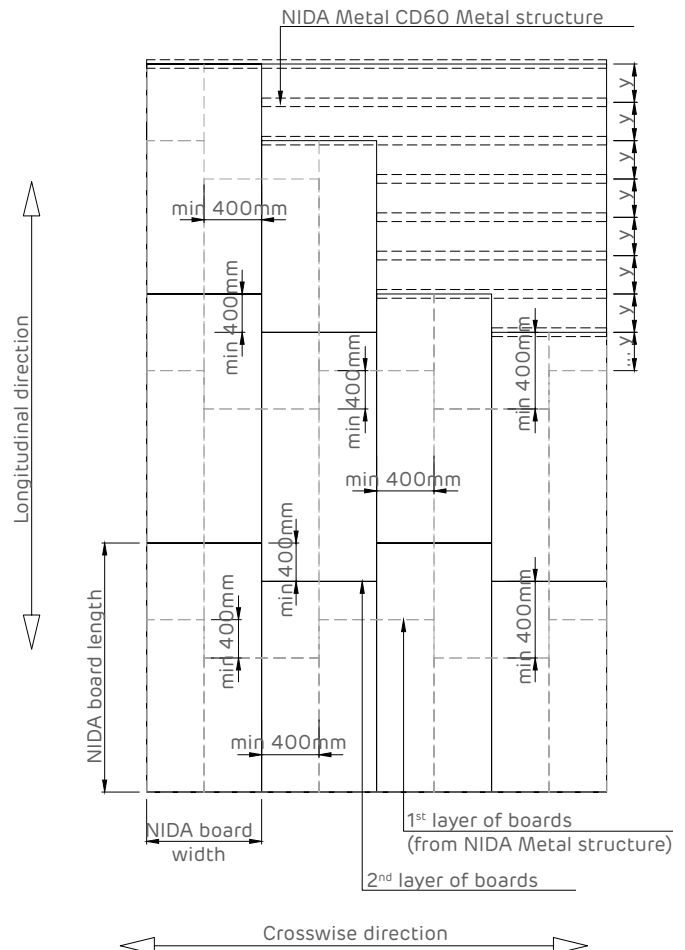
### Detail of NIDA Metal CD60 profile extension



### Section S1 - S1



### Board joint staggering System elevation



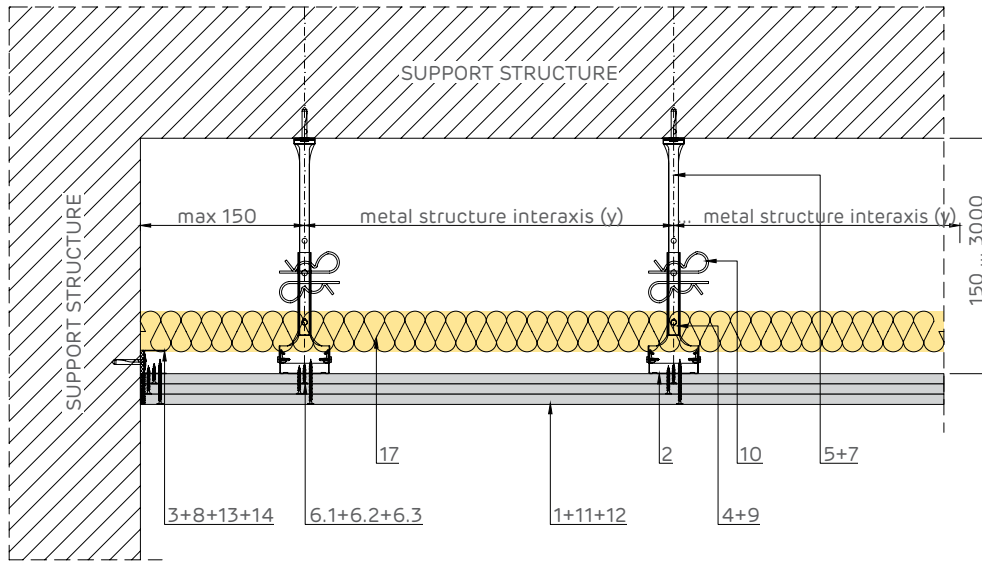
The boards should be mounted with the length perpendicular to the NIDA Metal CD60 profiles. The overlap of the boards lengthwise is minimum 400 mm.'

- 1 2 x Siniat plasterboard
- 2 NIDA Metal CD60 profile
- 3 NIDA Metal UD30 runner profile
- 4 NIDA Metal lower Nonius hanger
- 5 NIDA Metal upper Nonius hanger
- 6 1. Self-tapping screw 212 x L1 @ 600 mm  
2. Self-tapping screw 212 x L2 @ 300 mm
- 7 Mechanical fixing (\*1) , 1 pc./fastening
- 8 Mechanical fixing (\*1), laid out at 500 mm pitch
- 9 Self-drilling screw 4.2x13 FLAT HEAD 2 pcs.
- 10 Nonius clamp 2 pcs./fastening
- 11 NIDA Profesional jointing plaster
- 12 Jointing tape (\*2)
- 13 Single-sided adhesive sealing tape
- 14 Joint treated with NIDA Boardfix
- 15 1. 2 x Siniat board strip  
2. Siniat board strip pre-mounted with 212 screw
- 16 Corner protection profile
- 17 Mineral wool (\*3)

## NIDA System P: NIDA System suspended ceiling, triple layer on single structure with Nonius hanger

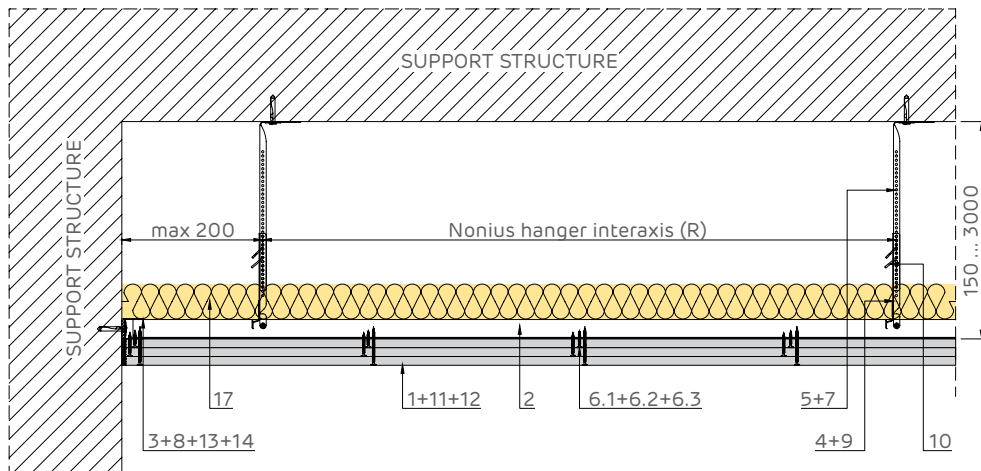
Rigid jointing with sturdy item

Cross section



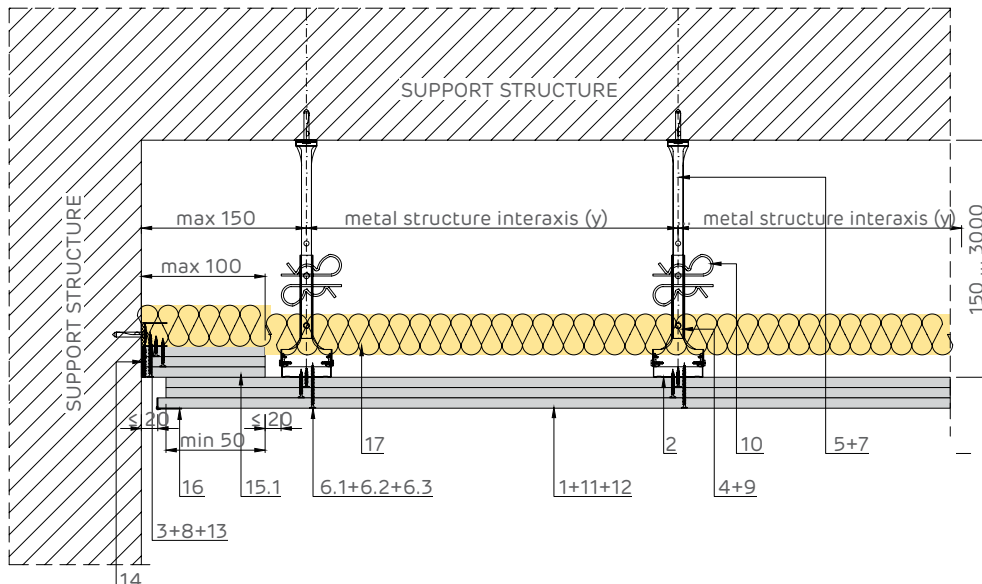
Rigid jointing with sturdy item

Longitudinal section

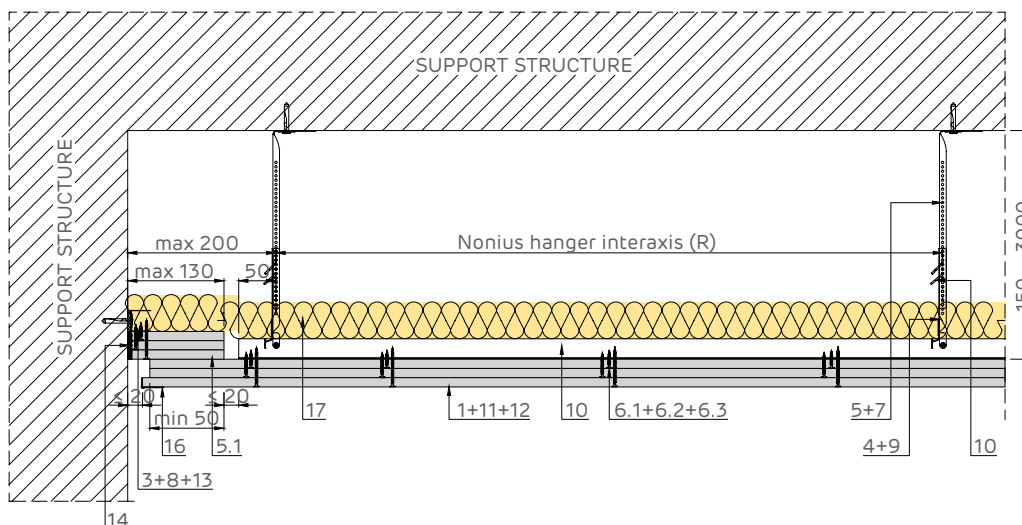


Sliding joint with sturdy items

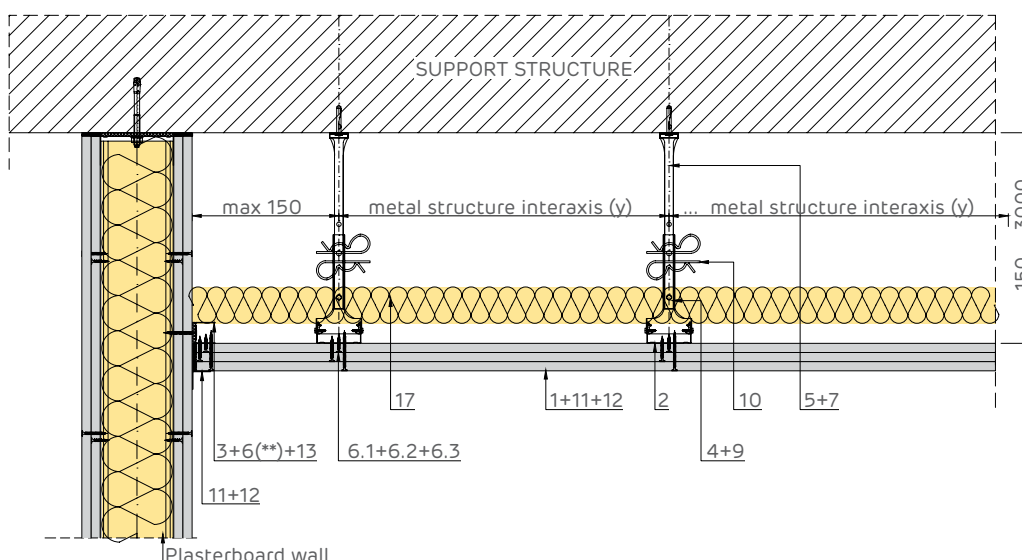
Cross section



## Sliding jointing with sturdy item Longitudinal section



## Jointing with plasterboard wall Cross section

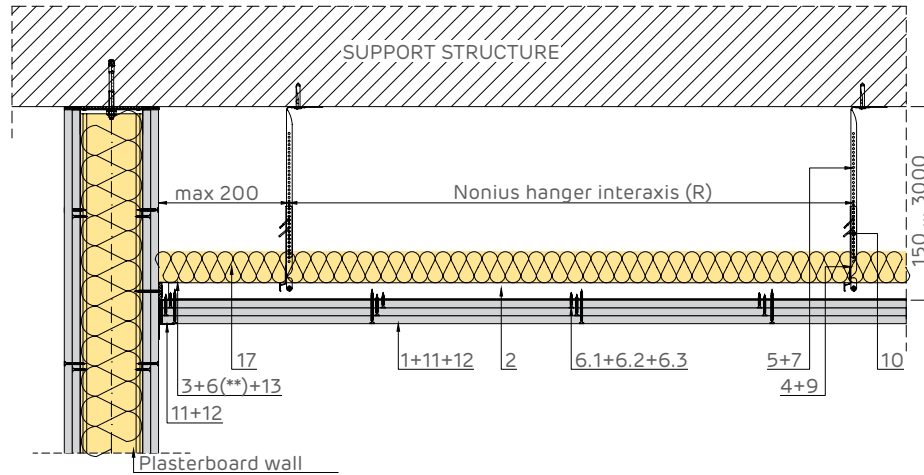


### NOTE:

(\*\*) The self-tapping screw will be fixed to the metal structure of the plasterboard wall, choosing the length according to the thickness of the wall package (thickness of the wall board layers).

- |  |  |
|--|--|
| ① 3 x Siniat plasterboard                          | ⑨ Self-drilling screw 4.2x13 FLAT HEAD 2 pcs.    |
| ② NIDA Metal CD60 profile                          | ⑩ Nonius clamp 2 pcs./fastening                  |
| ③ NIDA Metal UD30 runner profile                   | ⑪ NIDA Professional jointing plaster             |
| ④ NIDA Metal lower Nonius hanger                   | ⑫ Jointing tape (*2)                             |
| ⑤ NIDA Metal upper Nonius hanger                   | ⑬ Single-sided adhesive sealing tape             |
| ⑥ 1. Self-tapping screw 212 x L1 @ 600 mm          | ⑭ Joint treated with NIDA Boardfix               |
| 2. Self-tapping screw 212 x L2 @ 600 mm            | ⑮ 1. 3 x Siniat board strip                      |
| 3. Self-tapping screw 212 x L3 @ 300 mm            | 2. Siniat board strip pre-mounted with 212 screw |
| ⑦ Mechanical fixing (*1) , 1 pc/fastening          | ⑯ Corner protection profile                      |
| ⑧ Mechanical fixing (*1), laid out at 500 mm pitch | ⑰ Mineral wool (*3)                              |

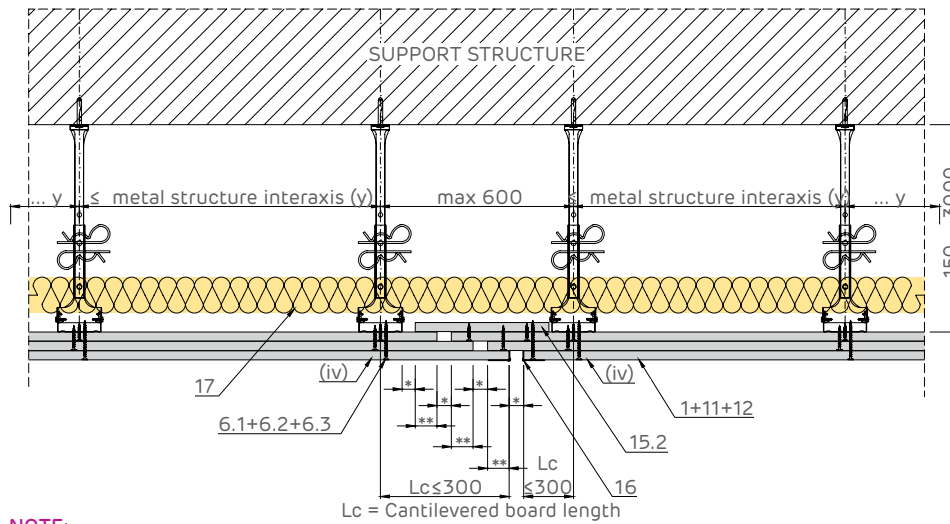
### Joining with plasterboard wall Longitudinal section



**NOTE:**

(\*\*) The self-tapping screw will be fixed to the metal structure of the plasterboard wall, choosing the length according to the thickness of the wall package (thickness of the wall board layers).

### Expansion joint Cross section



**NOTE:**

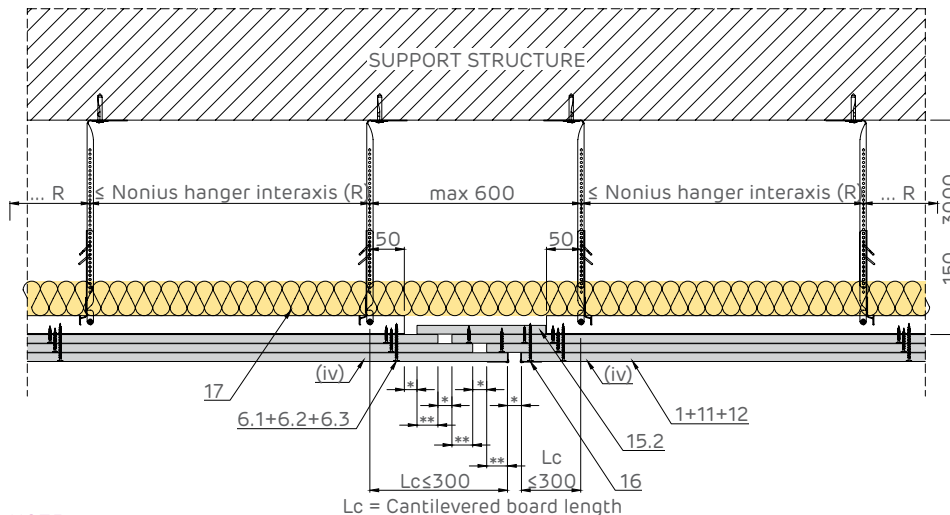
(iv) For the last plasterboard layer, it is not acceptable to make a joint in front of the specified profile;

The joint should also be placed in front of the structural joints;

\* The size of the joint will also be determined by the size of the structural joint, but not less than 20 mm;

\*\* The board overlap will have a minimum size of (\* + 10 mm)

### Expansion joint Longitudinal section



**NOTE:**

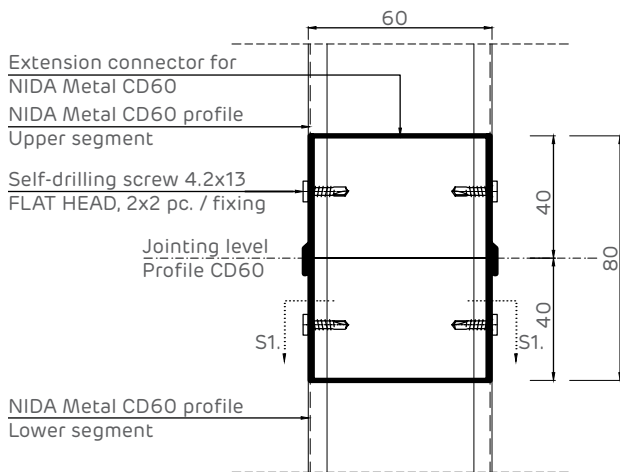
(iv) For the last plasterboard layer, it is not acceptable to make a joint in front of the specified profile;

The joint should also be placed in front of the structural joints;

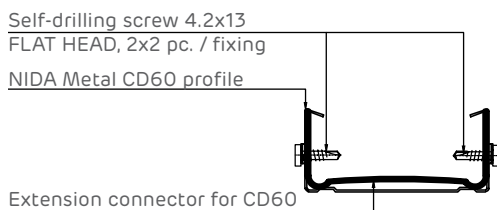
\* The size of the joint will also be determined by the size of the structural joint, but not less than 20 mm;

\*\* The board overlap will have a minimum size of (\* + 10 mm)

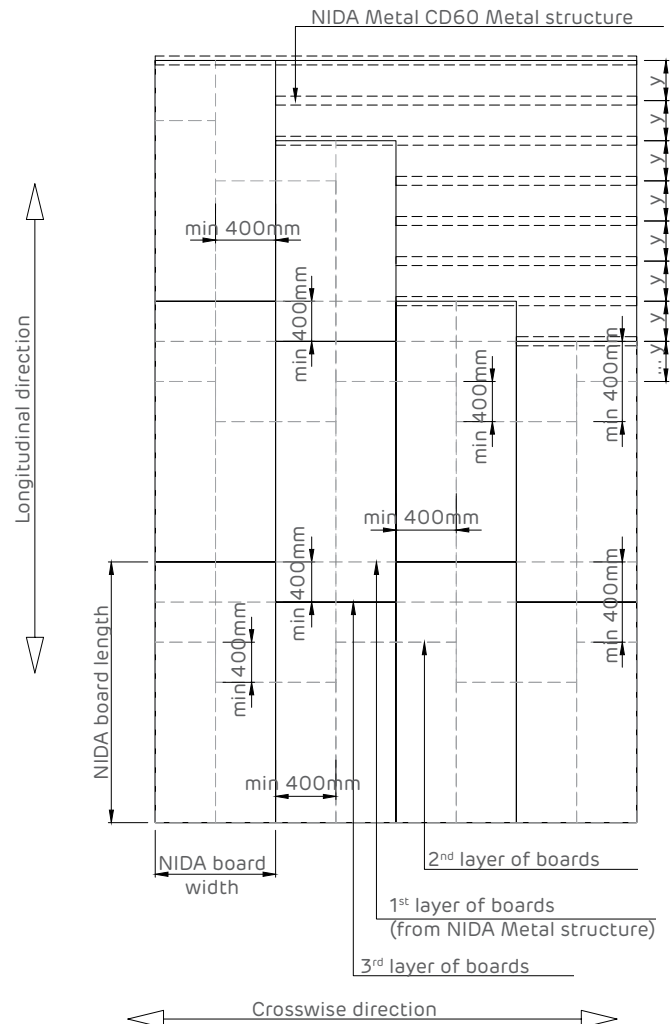
## Detail of NIDA Metal CD60 profile extension



### Section S1 - S1



## Board joint staggering System elevation



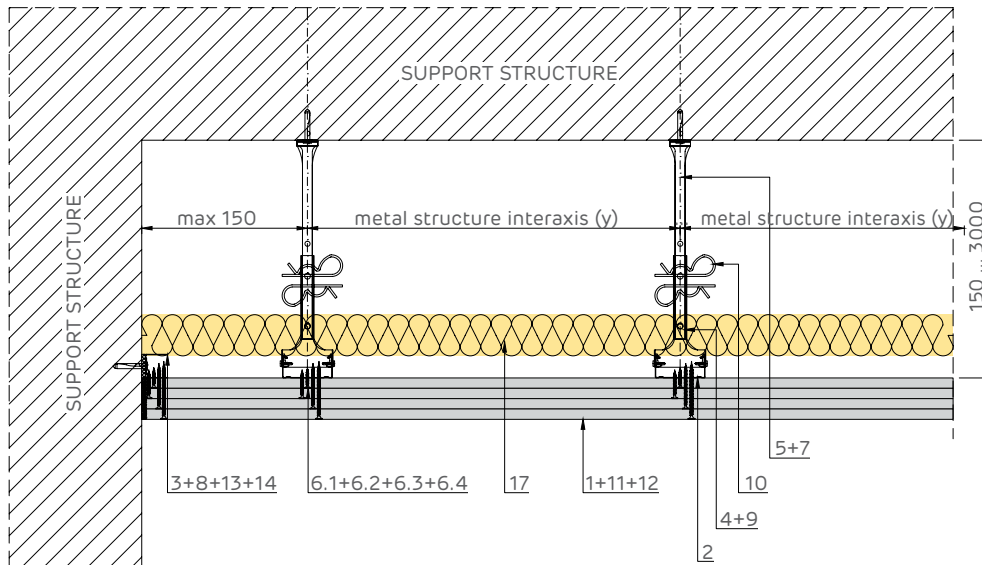
The boards should be mounted with the length perpendicular to the NIDA Metal CD60 profiles. The overlap of the boards lengthwise is minimum 400 mm.'

- 1 3 x Siniat plasterboard
- 2 NIDA Metal CD60 profile
- 3 NIDA Metal UD30 runner profile
- 4 NIDA Metal lower Nonius hanger
- 5 NIDA Metal upper Nonius hanger
- 6 1. Self-tapping screw 212 x L1 @ 600 mm  
2. Self-tapping screw 212 x L2 @ 600 mm  
3. Self-tapping screw 212 x L3 @ 300 mm
- 7 Mechanical fixing (\*1) , 1 pc/fastening
- 8 Mechanical fixing (\*1), laid out at 500 mm pitch
- 9 Self-drilling screw 4.2x13 FLAT HEAD 2 pcs.
- 10 Nonius clamp 2 pcs./fastening
- 11 NIDA Profesional jointing plaster
- 12 Jointing tape (\*2)
- 13 Single-sided adhesive sealing tape
- 14 Joint treated with NIDA Boardfix
- 15 1. 3 x Siniat board strip  
2. Siniat board strip pre-mounted with 212 screw
- 16 Corner protection profile
- 17 Mineral wool (\*3)

## NIDA System P: NIDA System suspended ceiling, fourfold layer on single structure with Nonius hanger

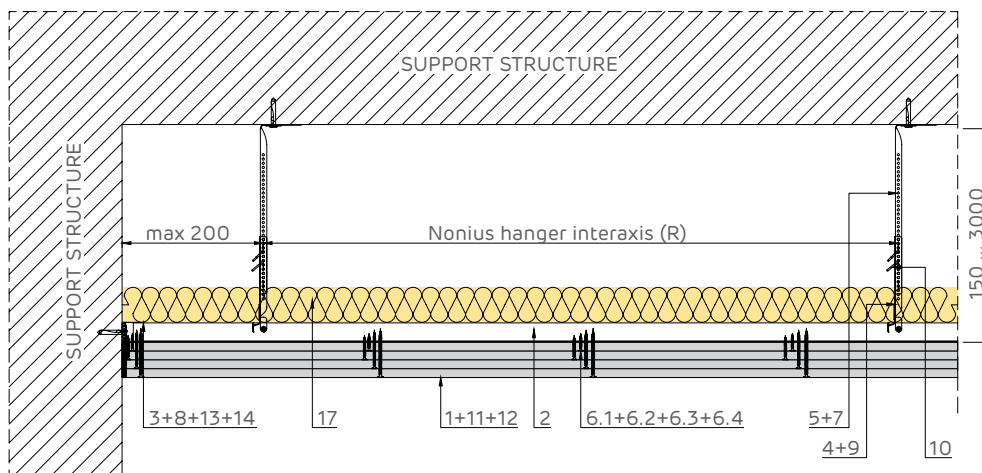
Rigid jointing with sturdy item

Cross section



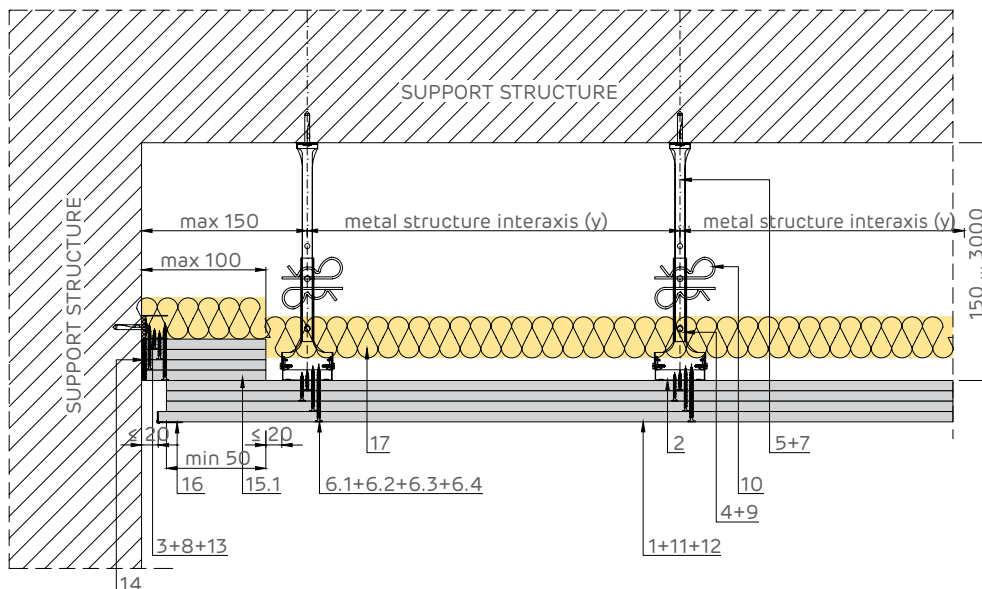
Rigid jointing with sturdy item

Longitudinal section

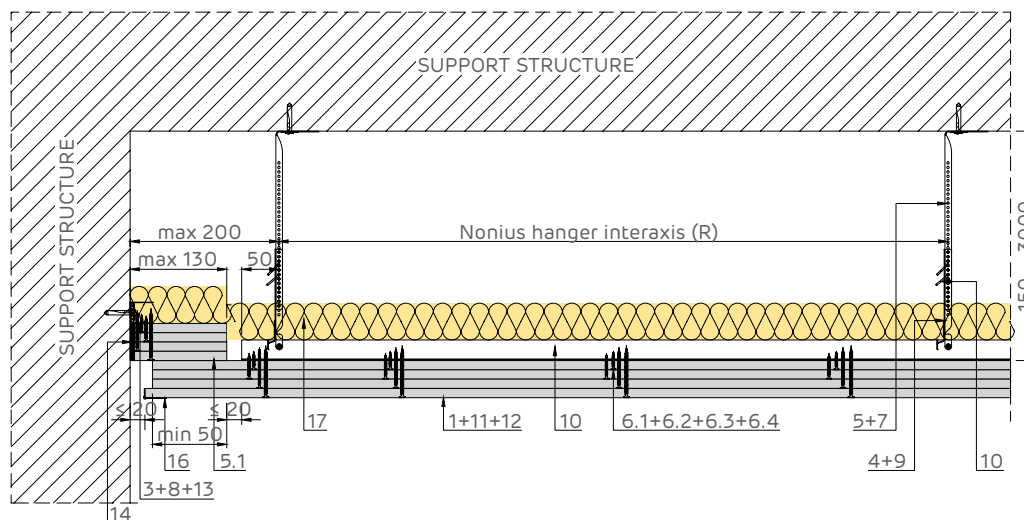


Sliding joint with sturdy items

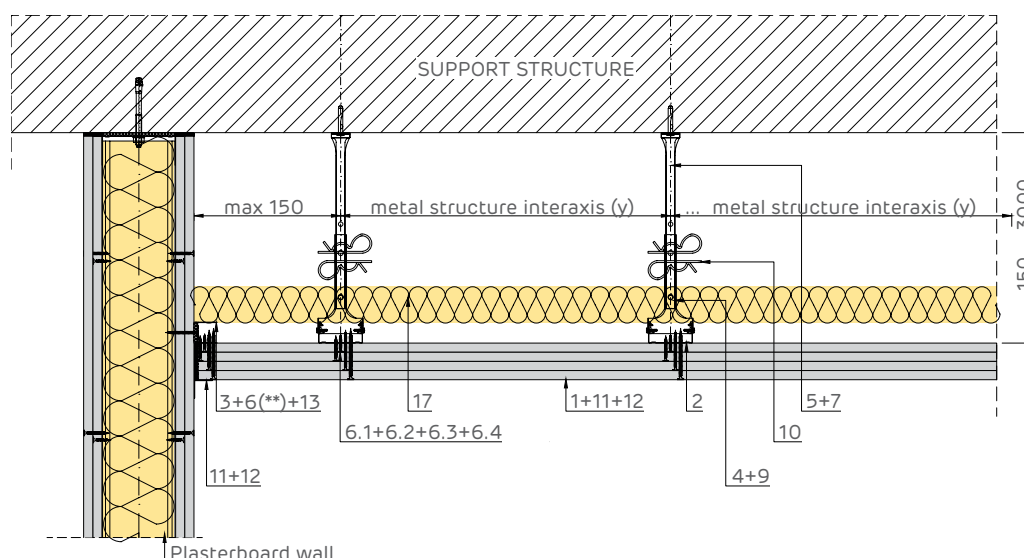
Cross section



## Sliding jointing with sturdy item Longitudinal section



## Jointing with plasterboard wall Cross section



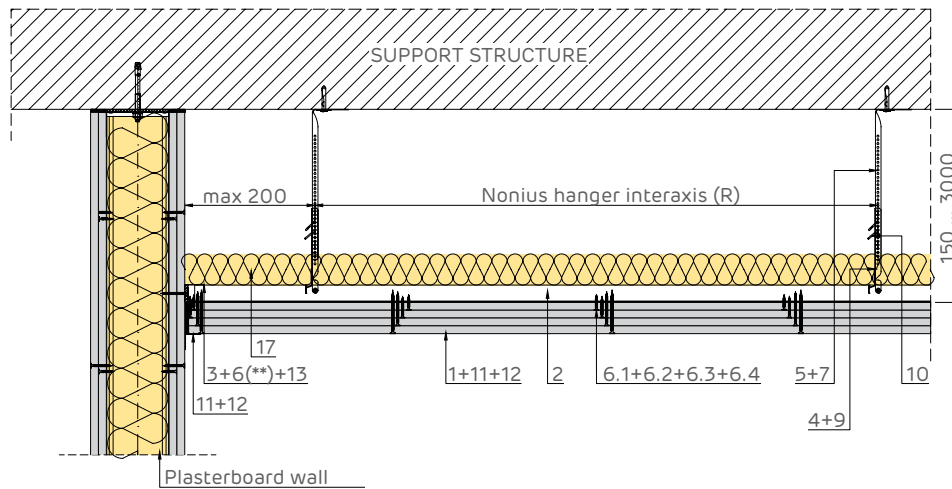
### NOTE:

(\*\*) The self-tapping screw will be fixed to the metal structure of the plasterboard wall, choosing the length according to the thickness of the wall package (thickness of the wall board layers).

- |  |  |
|--|--|
| ① 4 x Siniat plasterboard                          | ⑨ Self-drilling screw 4.2x13 FLAT HEAD 2 pcs.    |
| ② NIDA Metal CD60 profile                          | ⑩ Nonius clamp 2 pcs./fastening                  |
| ③ NIDA Metal UD30 runner profile                   | ⑪ NIDA Professional jointing plaster             |
| ④ NIDA Metal lower Nonius hanger                   | ⑫ Jointing tape (*2)                             |
| ⑤ NIDA Metal upper Nonius hanger                   | ⑬ Single-sided adhesive sealing tape             |
| ⑥ 1. Self-tapping screw 212 x L1 @ 600 mm          | ⑭ Joint treated with NIDA Boardfix               |
| 2. Self-tapping screw 212 x L2 @ 600 mm            | ⑮ 1. 4 x Siniat board strip                      |
| 3. Self-tapping screw 212 x L3 @ 600 mm            | 2. Siniat board strip pre-mounted with 212 screw |
| 4. Self-tapping screw 212 x L4 @ 300 mm            | ⑯ Corner protection profile                      |
| ⑦ Mechanical fixing (*1) , 1 pc/fastening          | ⑰ Mineral wool (*3)                              |
| ⑧ Mechanical fixing (*1), laid out at 500 mm pitch |  |



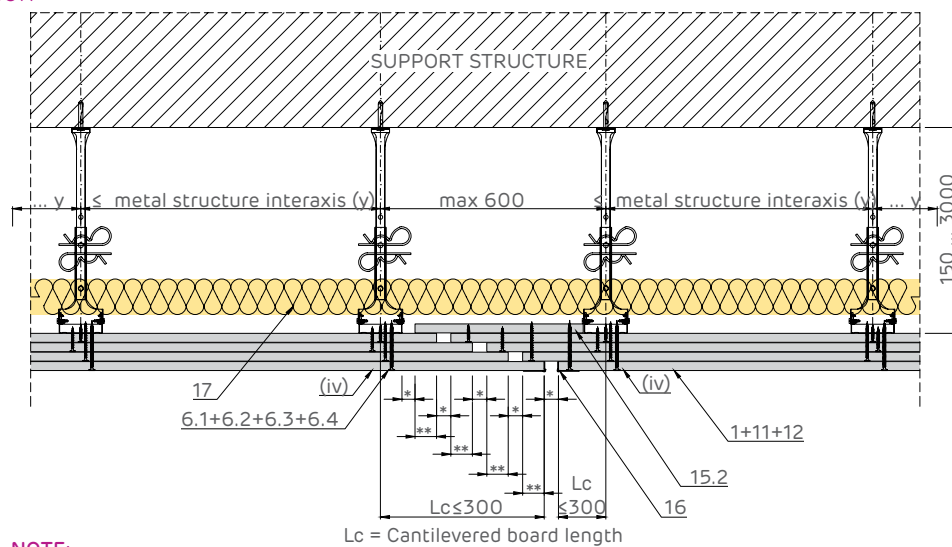
### Joining with plasterboard wall Longitudinal section



#### NOTE:

(\*\*) The self-tapping screw will be fixed to the metal structure of the plasterboard wall, choosing the length according to the thickness of the wall package (thickness of the wall board layers).

### Expansion joint Cross section



#### NOTE:

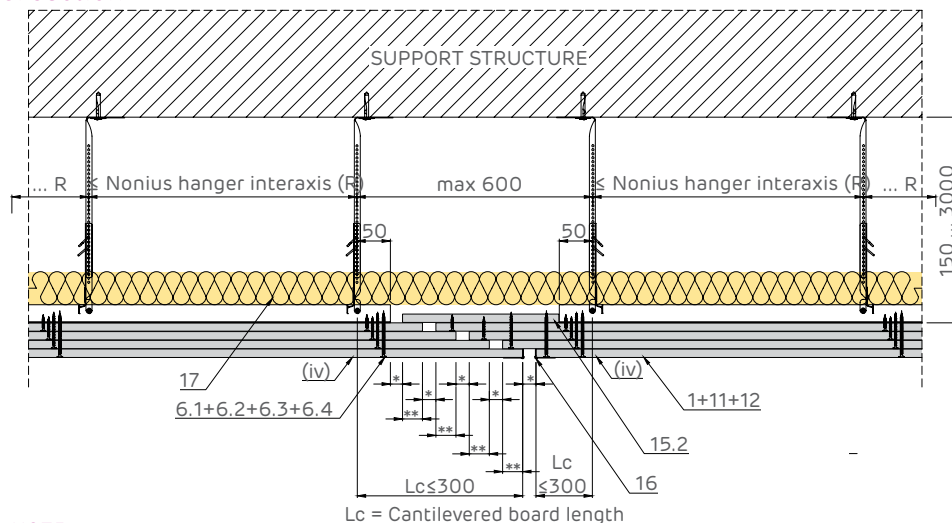
(iv) For the last plasterboard layer, it is not acceptable to make a joint in front of the specified profile;

The joint should also be placed in front of the structural joints;

\* The size of the joint will also be determined by the size of the structural joint, but not less than 20 mm;

\*\* The board overlap will have a minimum size of (\* + 10 mm)

### Expansion joint Longitudinal section



#### NOTE:

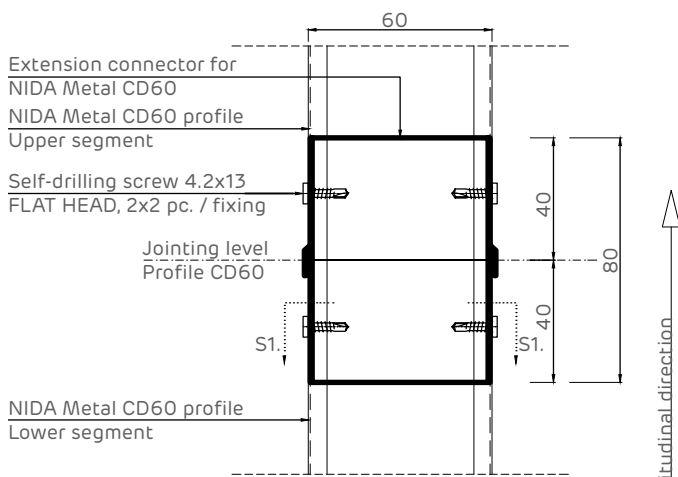
(iv) For the last plasterboard layer, it is not acceptable to make a joint in front of the specified profile;

The joint should also be placed in front of the structural joints;

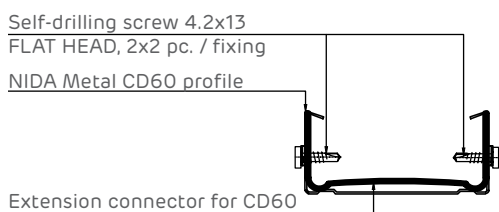
\* The size of the joint will also be determined by the size of the structural joint, but not less than 20 mm;

\*\* The board overlap will have a minimum size of (\* + 10 mm)

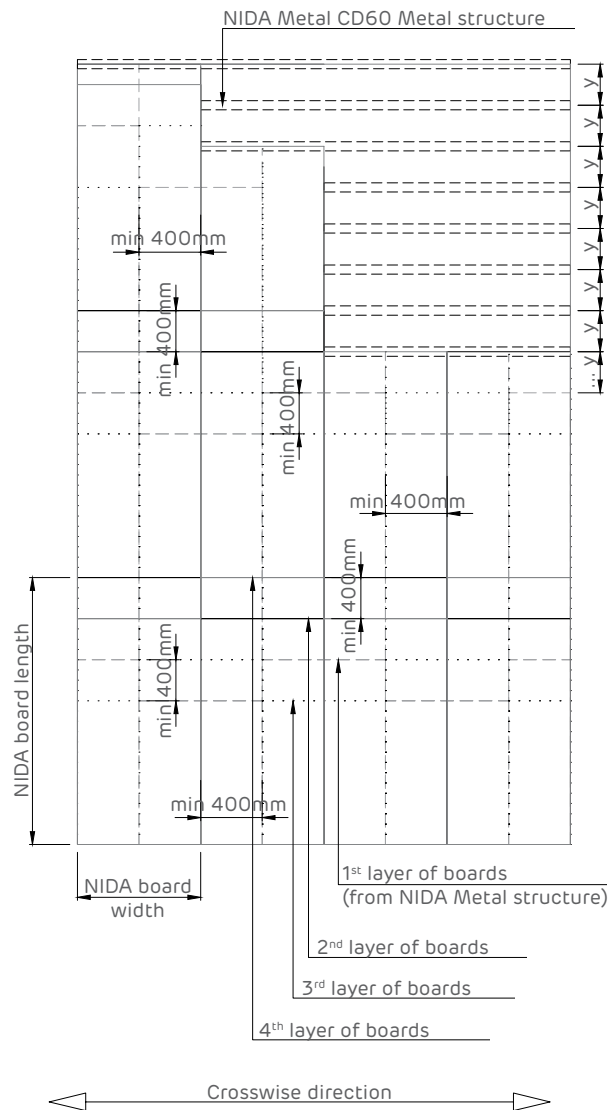
### Detail of NIDA Metal CD60 profile extension



### Section S1 - S1



### Board joint staggering System elevation



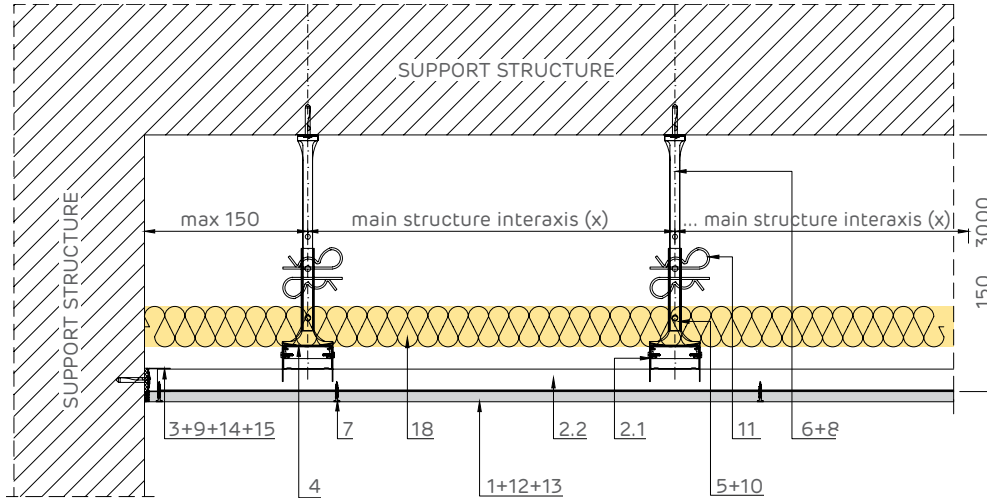
The boards should be mounted with the length perpendicular to the NIDA Metal CD60 profiles.  
The overlap of the boards lengthwise is minimum 400 mm.

- 1 4 x Siniat plasterboard
- 2 NIDA Metal CD60 profile
- 3 NIDA Metal UD30 runner profile
- 4 NIDA Metal lower Nonius hanger
- 5 NIDA Metal upper Nonius hanger
- 6 1. Self-tapping screw 212 x L1 @ 600 mm  
2. Self-tapping screw 212 x L2 @ 600 mm  
3. Self-tapping screw 212 x L3 @ 600 mm  
4. Self-tapping screw 212 x L4 @ 300 mm
- 7 Mechanical fixing (\*1) , 1 pc/fastening
- 8 Mechanical fixing (\*1), laid out at 500 mm pitch
- 9 Self-drilling screw 4.2x13 FLAT HEAD 2 pcs.
- 10 Nonius clamp 2 pcs./fastening
- 11 NIDA Profesional jointing plaster
- 12 Jointing tape (\*2)
- 13 Single-sided adhesive sealing tape
- 14 Joint treated with NIDA Boardfix
- 15 1. 4 x Siniat board strip  
2. Siniat board strip pre-mounted with 212 screw
- 16 Corner protection profile
- 17 Mineral wool (\*3)

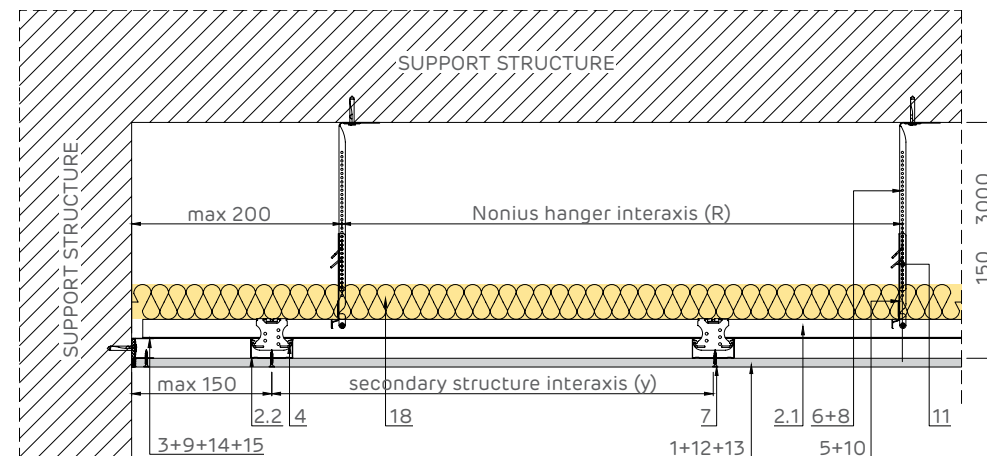
## NIDA System P:

NIDA System suspended ceiling, single layer on double structure with Nonius hanger

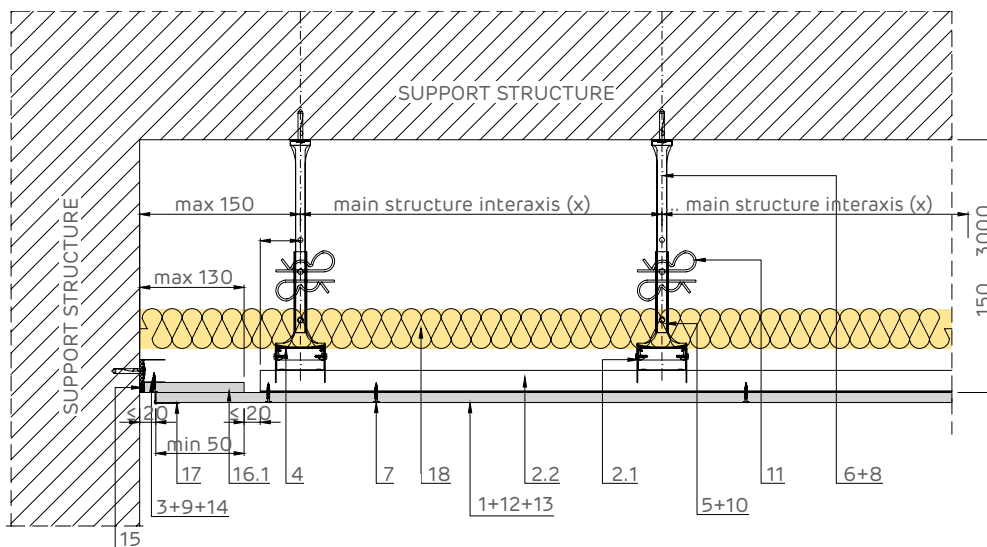
Rigid jointing with sturdy item  
Cross section



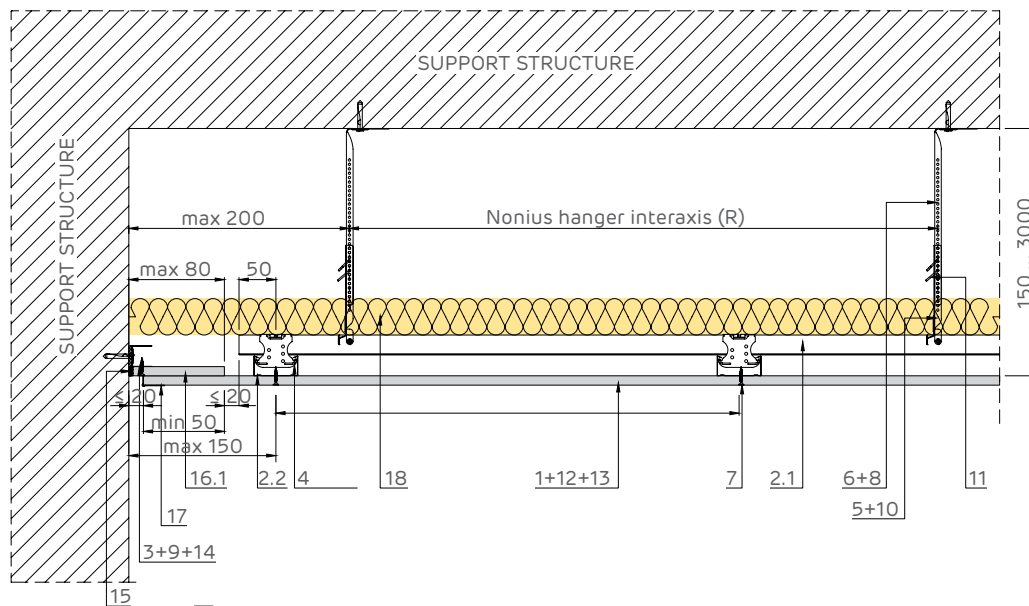
Rigid jointing with sturdy item  
Longitudinal section



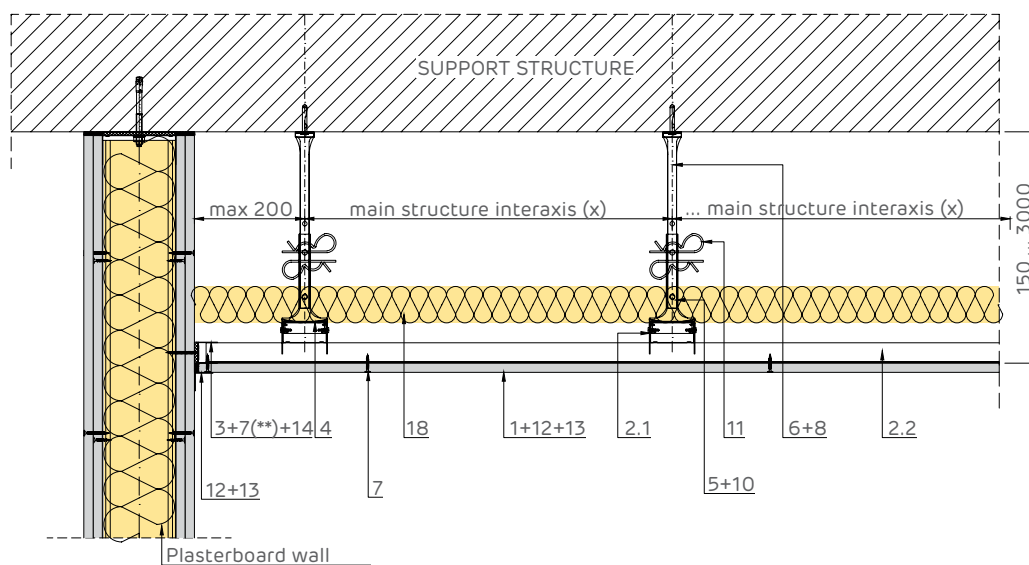
Sliding joint with sturdy items  
Cross section



## Sliding jointing with sturdy item Longitudinal section



## Jointing with plasterboard wall Cross section

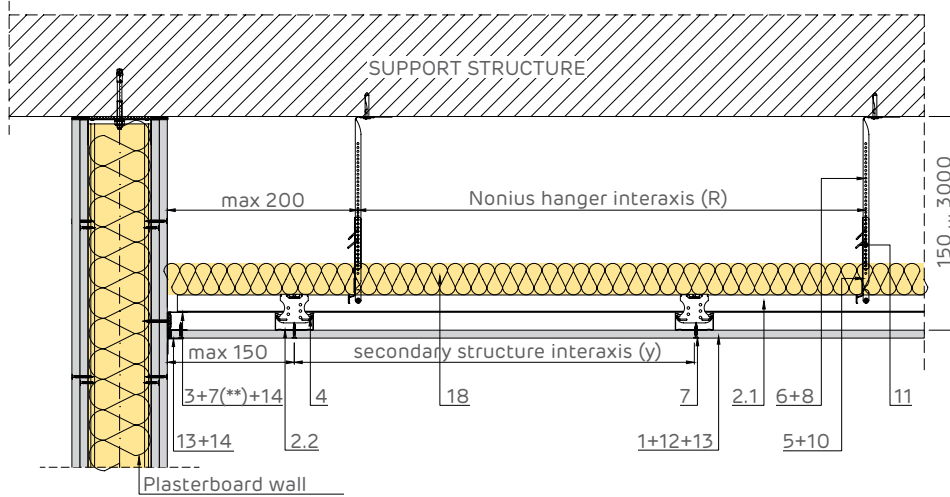


### NOTE:

(\*\*) The self-tapping screw will be fixed to the metal structure of the plasterboard wall, choosing the length according to the thickness of the wall package (thickness of the wall board layers).

- |   |   |    |   |
|---|---|----|---|
| 1 | 1 x Siniat plasterboard   | 10 | Self-drilling screw 4.2x13 FLAT HEAD 2 pcs.                                   |
| 2 | 1. NIDA Metal CD60 main profile<br>2. NIDA Metal CD60 secondary profile | 11 | Nonius clamp 2 pcs./fastening   |
| 3 | NIDA Metal UD30 runner profile  | 12 | NIDA Profesional jointing plaster   |
| 4 | NIDA Metal CD60 double joint connection                                 | 13 | Jointing tape (*2)  |
| 5 | NIDA Metal lower Nonius hanger  | 14 | Single-sided adhesive sealing tape  |
| 6 | NIDA Metal upper Nonius hanger  | 15 | Joint treated with NIDA Boardfix  |
| 7 | Self-tapping screw 212 x L1 @ 300 mm                                    | 16 | 1. 1 x Siniat board strip<br>2. Siniat board strip pre-mounted with 212 screw |
| 8 | Mechanical fixing (*1), 1 pc/fastening                                  | 17 | Corner protection profile   |
| 9 | Mechanical fixing (*1), laid out at 500 mm pitch                        | 18 | Mineral wool (*3)   |

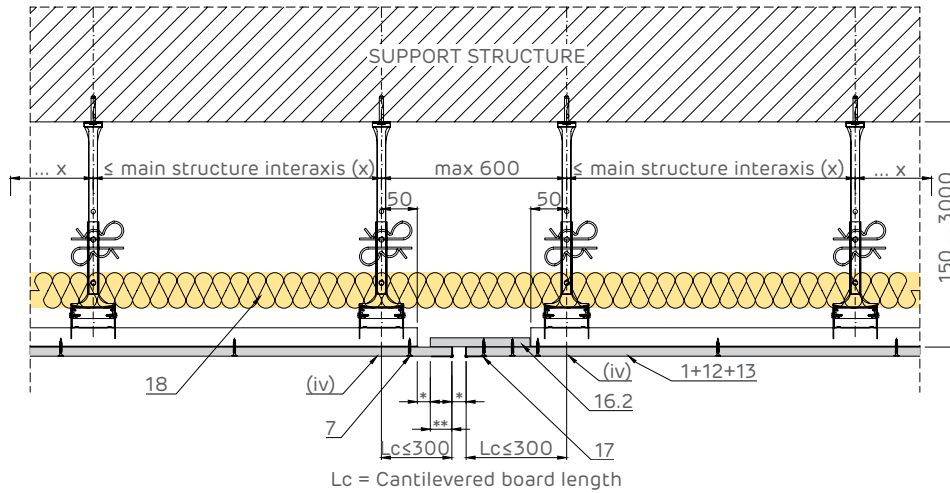
Joining with plasterboard wall  
Longitudinal section



**NOTE:**

(\*\*) The self-tapping screw will be fixed to the metal structure of the plasterboard wall, choosing the length according to the thickness of the wall package (thickness of the wall board layers).

Expansion joint  
Cross section



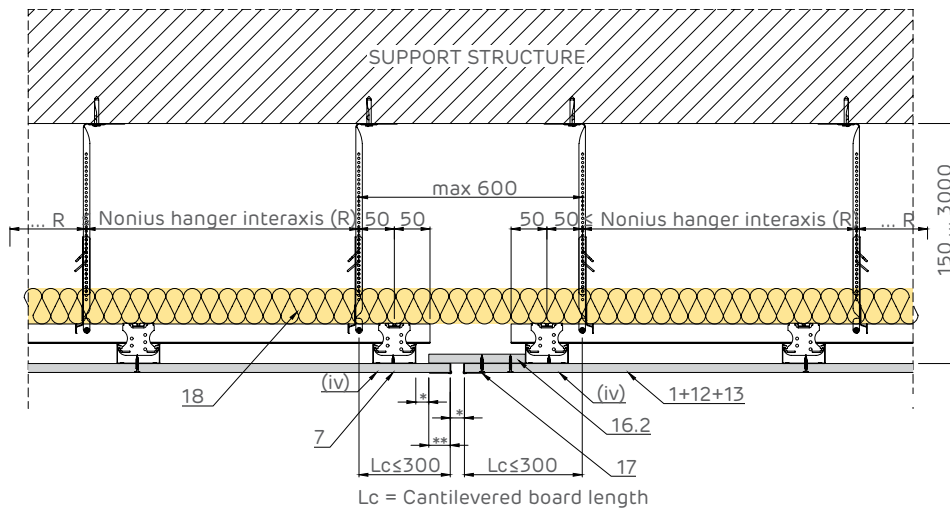
**NOTE:**

(iv) For the last plasterboard layer, it is not acceptable to make a joint in front of the specified profile; The joint should also be placed in front of the structural joints;

\* The size of the joint will also be determined by the size of the structural joint, but not less than 20 mm;

\*\* The board overlap will have a minimum size of (\* + 10 mm)

Expansion joint  
Longitudinal section



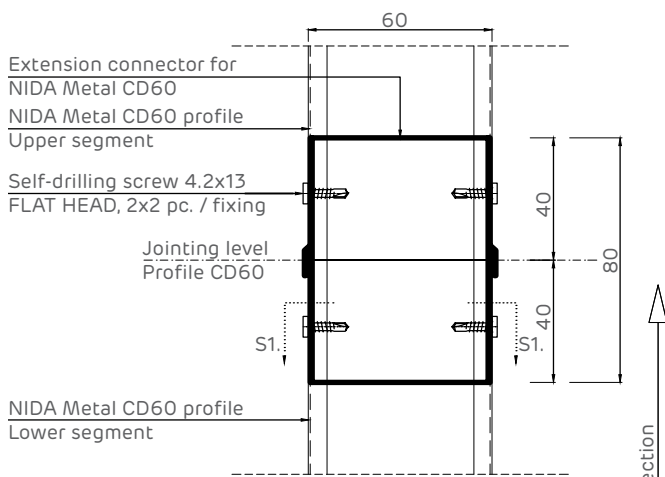
**NOTE:**

(iv) For the last plasterboard layer, it is not acceptable to make a joint in front of the specified profile; The joint should also be placed in front of the structural joints;

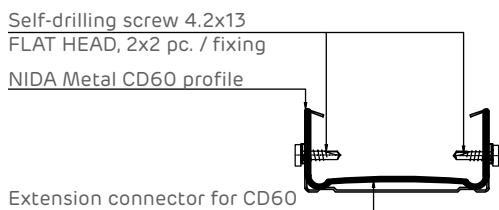
\* The size of the joint will also be determined by the size of the structural joint, but not less than 20 mm;

\*\* The board overlap will have a minimum size of (\* + 10 mm)

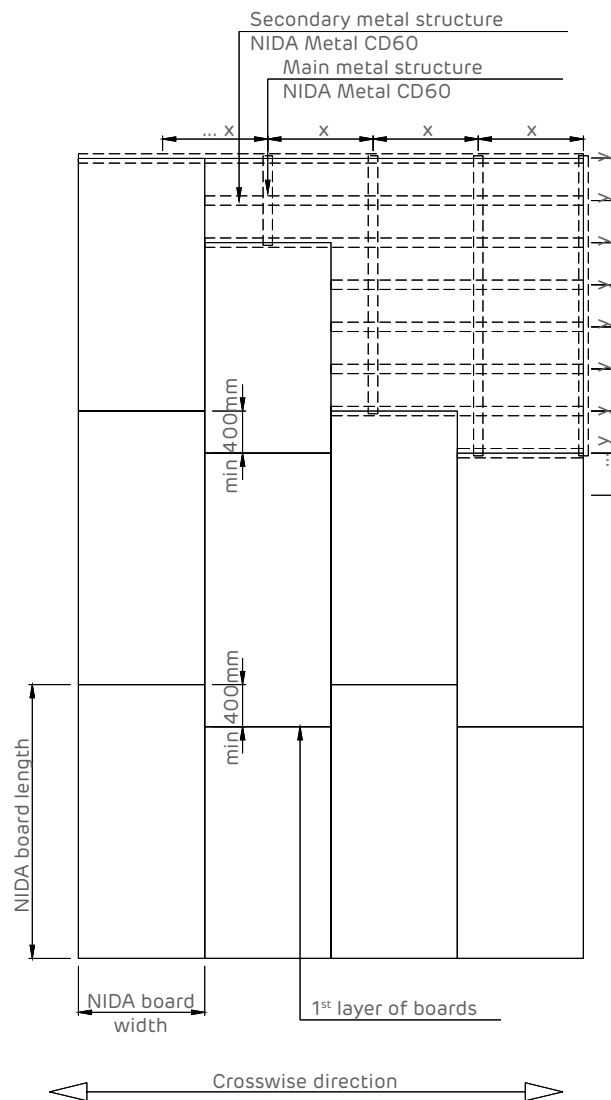
### Detail of NIDA Metal CD60 profile extension



### Section S1 - S1



### Board joint staggering System elevation

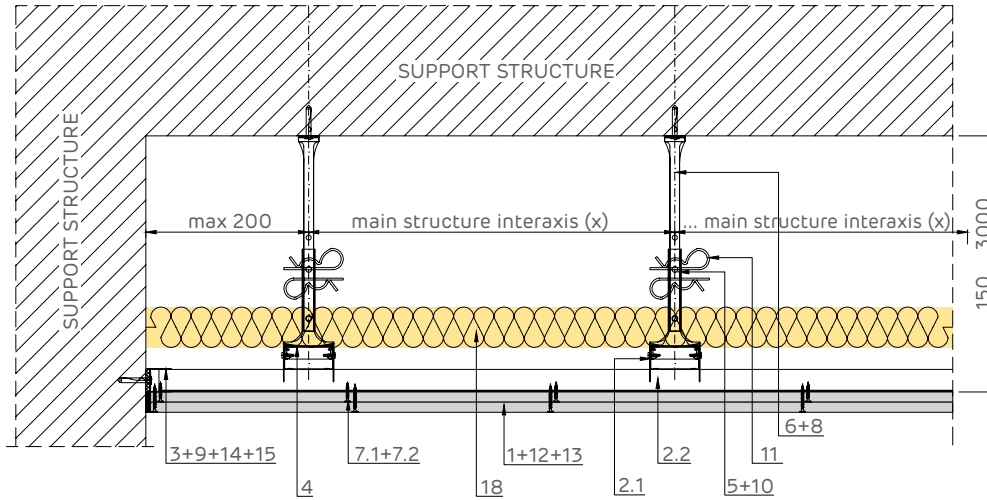


The boards should be mounted with the length perpendicular to the NIDA Metal CD60 profiles. The overlap of the boards lengthwise is minimum 400 mm.

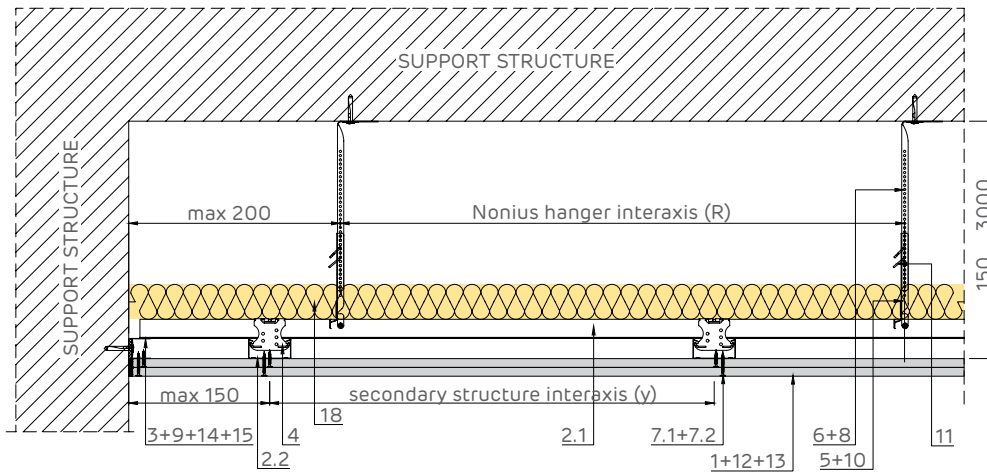
- |   |   |    |   |
|---|---|----|---|
| 1 | 1 x Siniat plasterboard   | 10 | Self-drilling screw 4.2x13 FLAT HEAD 2 pcs.                                   |
| 2 | 1. NIDA Metal CD60 main profile<br>2. NIDA Metal CD60 secondary profile | 11 | Nonius clamp 2 pcs./fastening   |
| 3 | NIDA Metal UD30 runner profile  | 12 | NIDA Profesional jointing plaster   |
| 4 | NIDA Metal CD60 double joint connection                                 | 13 | Jointing tape (*2)  |
| 5 | NIDA Metal lower Nonius hanger  | 14 | Single-sided adhesive sealing tape  |
| 6 | NIDA Metal upper Nonius hanger  | 15 | Joint treated with NIDA Boardfix  |
| 7 | Self-tapping screw 212 x L1 @ 300 mm                                    | 16 | 1. 1 x Siniat board strip<br>2. Siniat board strip pre-mounted with 212 screw |
| 8 | Mechanical fixing (*1) , 1 pc/fastening                                 | 17 | Corner protection profile   |
| 9 | Mechanical fixing (*1), laid out at 500 mm pitch                        | 18 | Mineral wool (*3)   |

# NIDA System P: NIDA System suspended ceiling, double layer on double structure with Nonius hanger

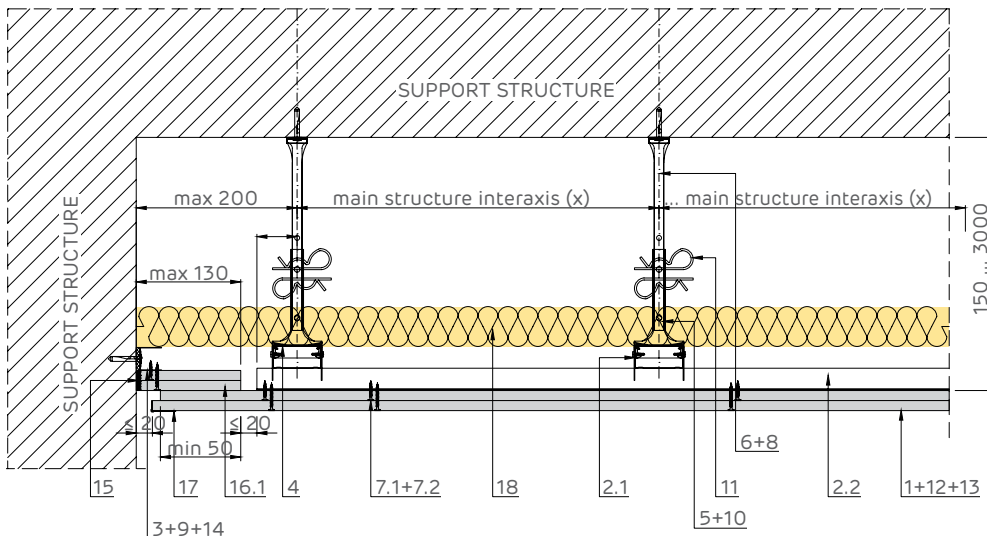
Rigid jointing with sturdy item  
Cross section



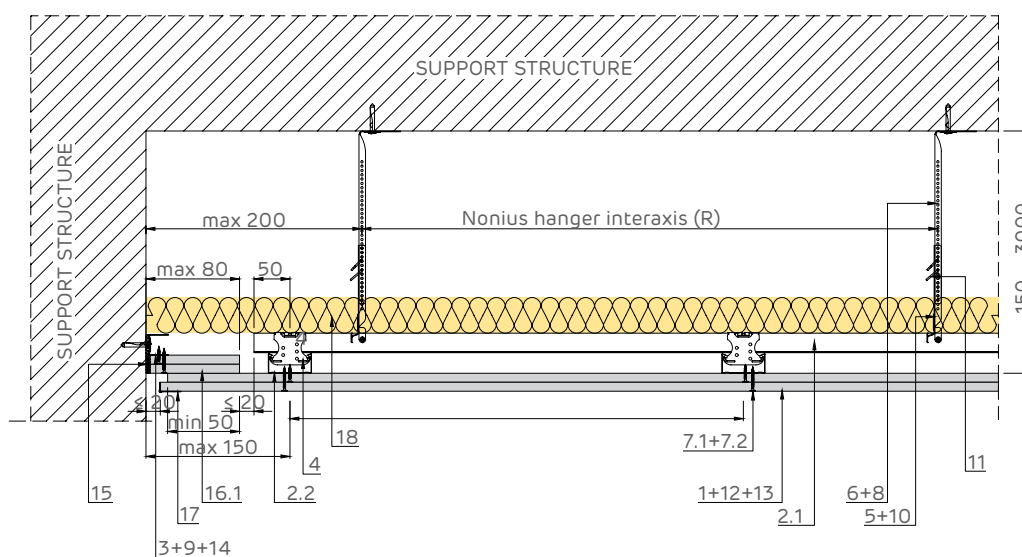
Rigid jointing with sturdy item  
Longitudinal section



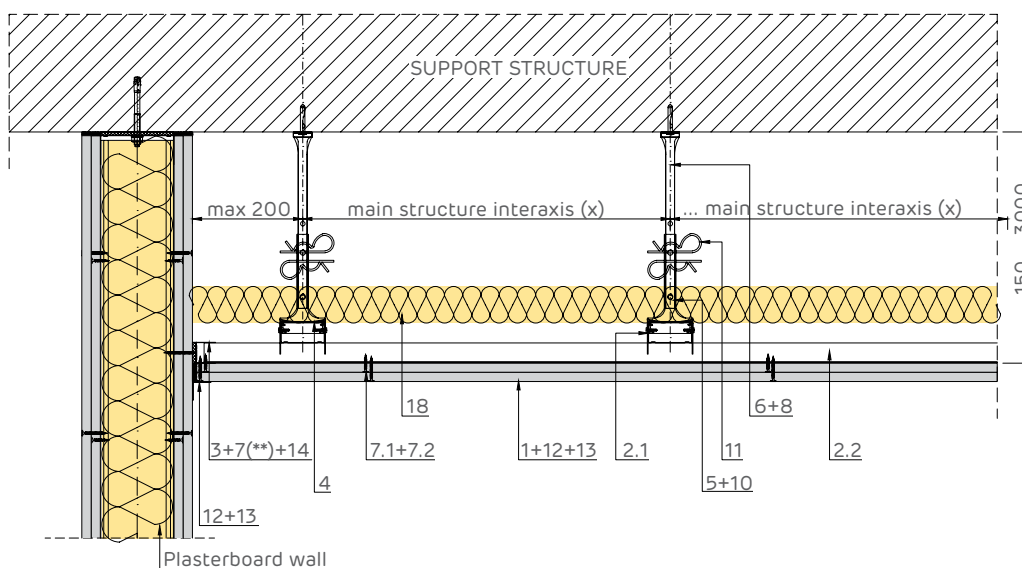
Sliding joint with sturdy items  
Cross section



## Sliding jointing with sturdy item Longitudinal section



## Jointing with plasterboard wall Cross section



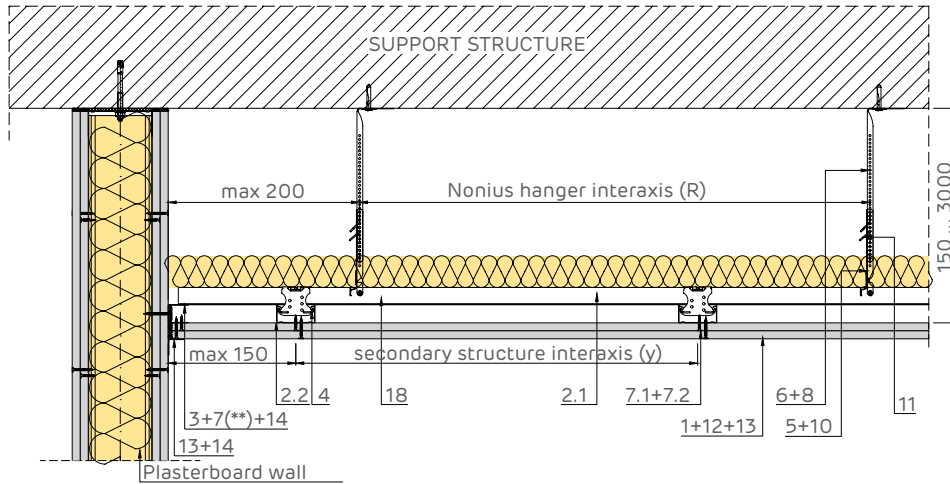
### NOTE:

(\*\*) The self-tapping screw will be fixed to the metal structure of the plasterboard wall, choosing the length according to the thickness of the wall package (thickness of the wall board layers).

- |  |   |
|--|---|
| ① 2 x Siniat plasterboard  | ⑩ Self-drilling screw 4.2x13 FLAT HEAD 2 pcs.                                   |
| ② 1. NIDA Metal CD60 main profile<br>2. NIDA Metal CD60 secondary profile            | ⑪ Nonius clamp 2 pcs./fastening   |
| ③ NIDA Metal UD30 runner profile   | ⑫ NIDA Profesional jointing plaster   |
| ④ NIDA Metal CD60 double joint connection  | ⑬ Jointing tape (*2)  |
| ⑤ NIDA Metal lower Nonius hanger   | ⑭ Single-sided adhesive sealing tape  |
| ⑥ NIDA Metal upper Nonius hanger   | ⑮ Joint treated with NIDA Boardfix  |
| ⑦ 1. Self-tapping screw 212 x L1 @ 600 mm<br>2. Self-tapping screw 212 x L2 @ 300 mm | ⑯ 1. 2 x Siniat board strip<br>2. Siniat board strip pre-mounted with 212 screw |
| ⑧ Mechanical fixing (*1) , 1 pc/fastening  | ⑰ Corner protection profile   |
| ⑨ Mechanical fixing (*1), laid out at 500 mm pitch                                   | ⑱ Mineral wool (*3)   |



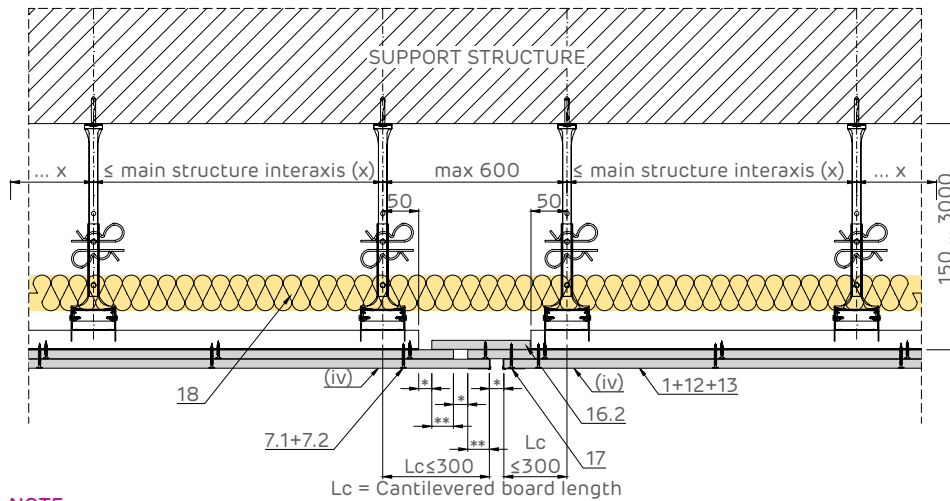
Joining with plasterboard wall  
Longitudinal section



**NOTE:**

(\*\*) The self-tapping screw will be fixed to the metal structure of the plasterboard wall, choosing the length according to the thickness of the wall package (thickness of the wall board layers).

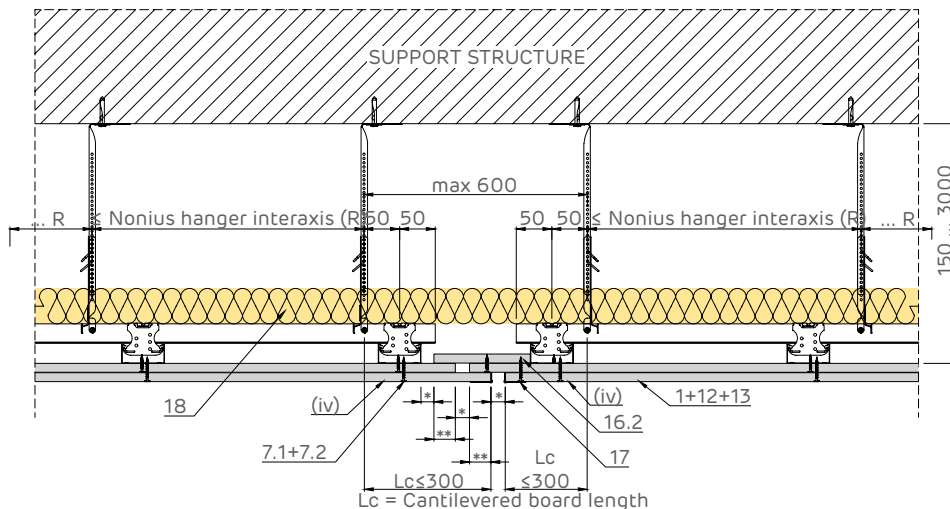
Expansion joint  
Cross section



**NOTE:**

- (iv) For the last plasterboard layer, it is not acceptable to make a joint in front of the specified profile; The joint should also be placed in front of the structural joints;
- \* The size of the joint will also be determined by the size of the structural joint, but not less than 20 mm;
- \*\* The board overlap will have a minimum size of (\* + 10 mm)

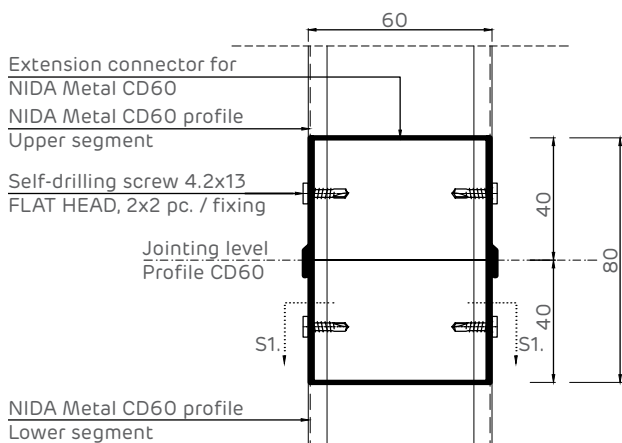
Expansion joint  
Longitudinal section



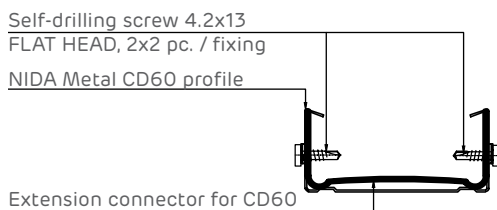
**NOTE:**

- (iv) For the last plasterboard layer, it is not acceptable to make a joint in front of the specified profile; The joint should also be placed in front of the structural joints;
- \* The size of the joint will also be determined by the size of the structural joint, but not less than 20 mm;
- \*\* The board overlap will have a minimum size of (\* + 10 mm)

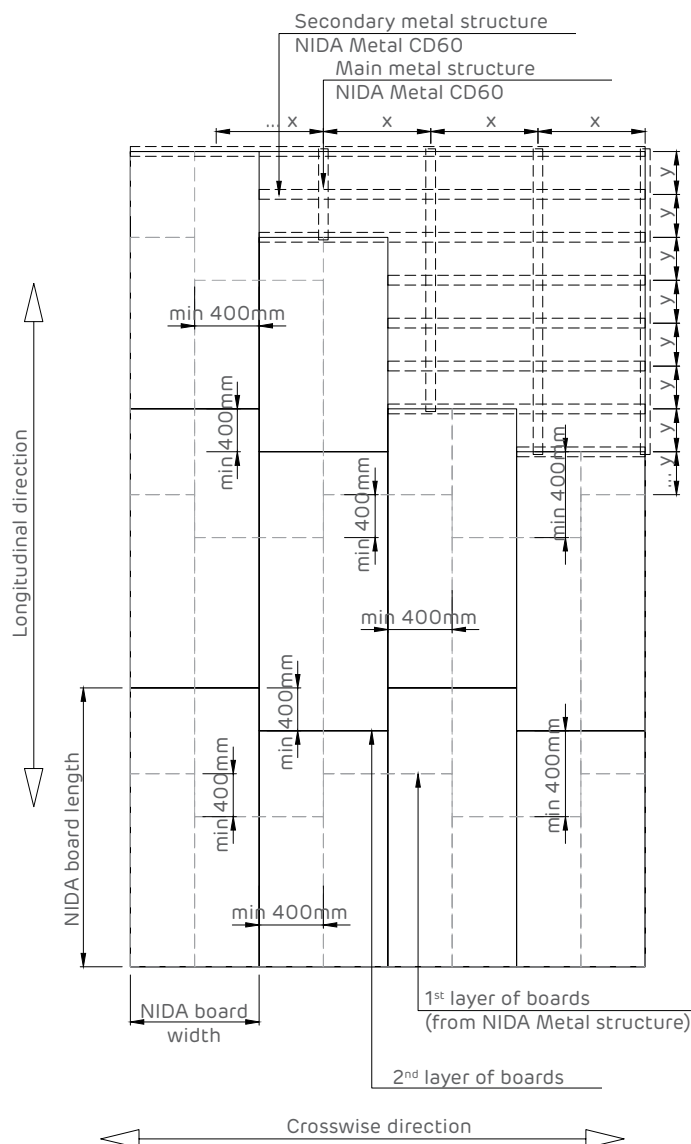
## Detail of NIDA Metal CD60 profile extension



### Section S1 - S1



## Board joint staggering System elevation

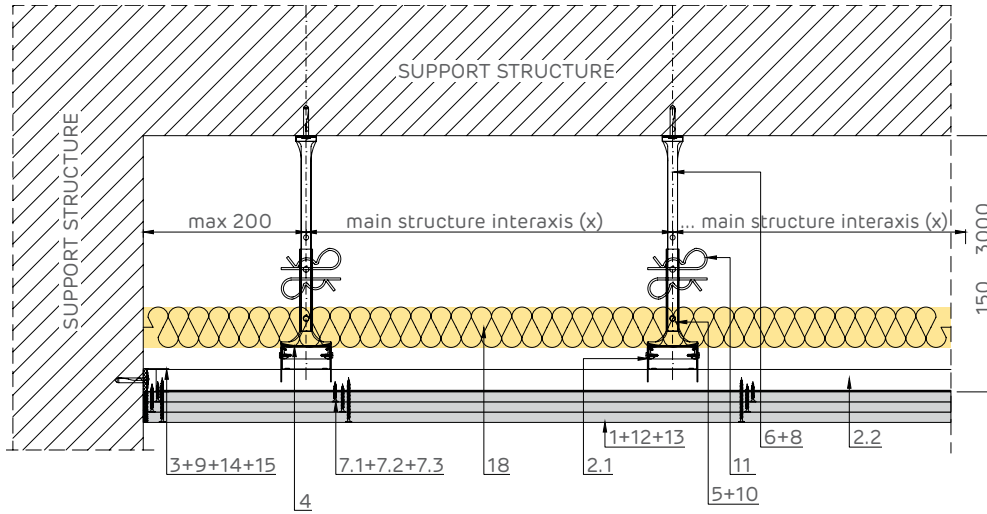


The boards should be mounted with the length perpendicular to the NIDA Metal CD60 profiles. The overlap of the boards lengthwise is minimum 400 mm.

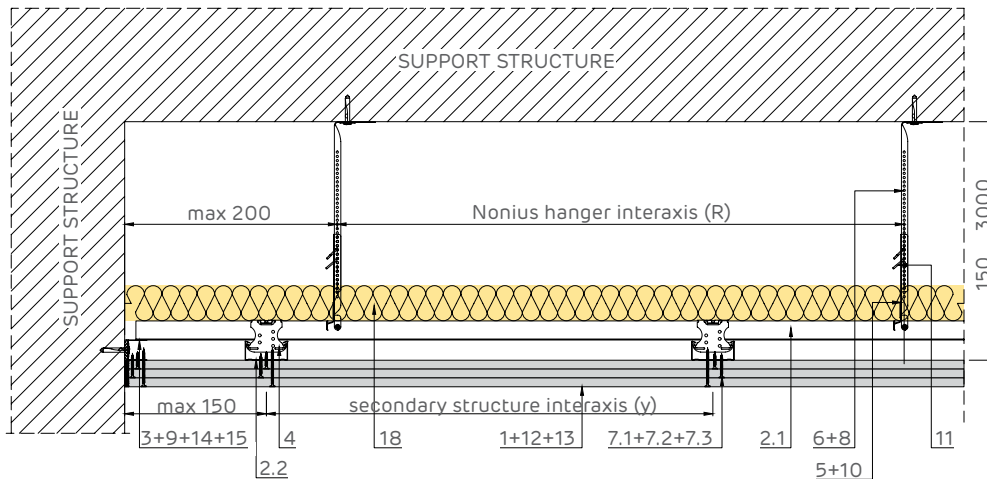
- 1 2 x Siniat plasterboard
- 2 1. NIDA Metal CD60 main profile  
2. NIDA Metal CD60 secondary profile
- 3 NIDA Metal UD30 runner profile
- 4 NIDA Metal CD60 double joint connection
- 5 NIDA Metal lower Nonius hanger
- 6 NIDA Metal upper Nonius hanger
- 7 1. Self-tapping screw 212 x L1 @ 600 mm  
2. Self-tapping screw 212 x L2 @ 300 mm
- 8 Mechanical fixing (\*1) , 1 pc/fastening
- 9 Mechanical fixing (\*1), laid out at 500 mm pitch
- 10 Self-drilling screw 4.2x13 FLAT HEAD 2 pcs.
- 11 Nonius clamp 2 pcs./fastening
- 12 NIDA Profesional jointing plaster
- 13 Jointing tape (\*2)
- 14 Single-sided adhesive sealing tape
- 15 Joint treated with NIDA Boardfix
- 16 1. 2 x Siniat board strip  
2. Siniat board strip pre-mounted with 212 screw
- 17 Corner protection profile
- 18 Mineral wool (\*3)

# NIDA System P: NIDA System suspended ceiling, triple layer on double structure with Nonius hanger

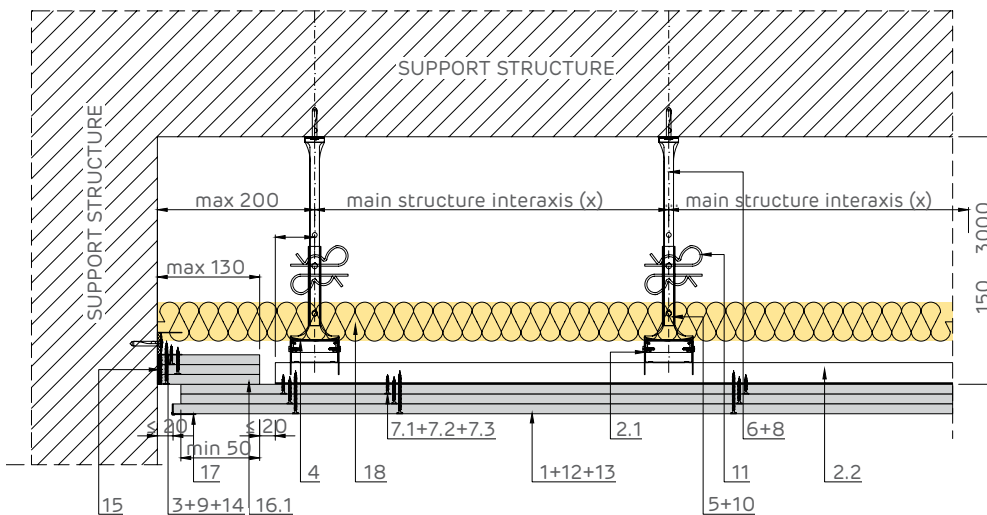
Rigid jointing with sturdy item  
Cross section



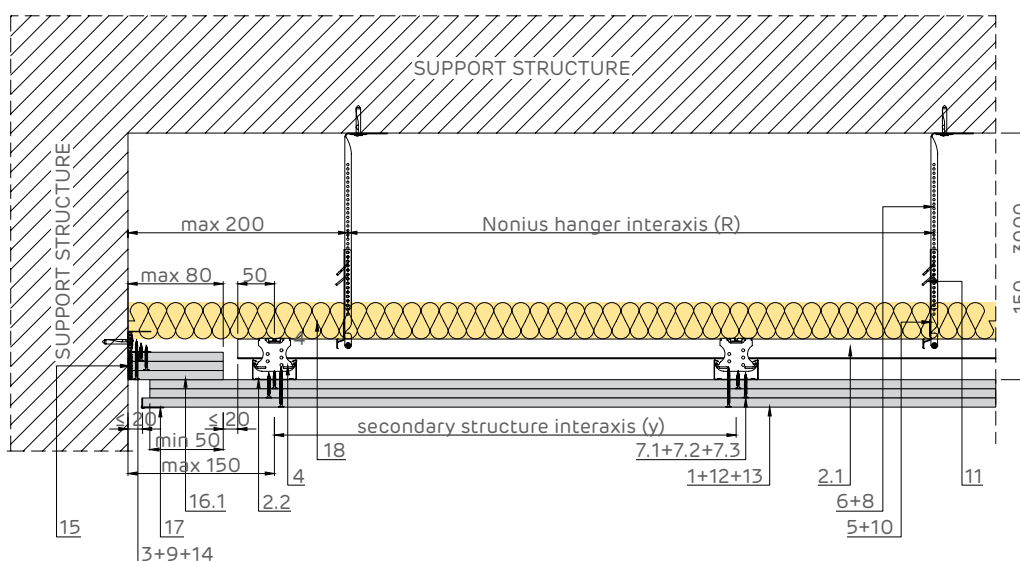
Rigid jointing with sturdy item  
Longitudinal section



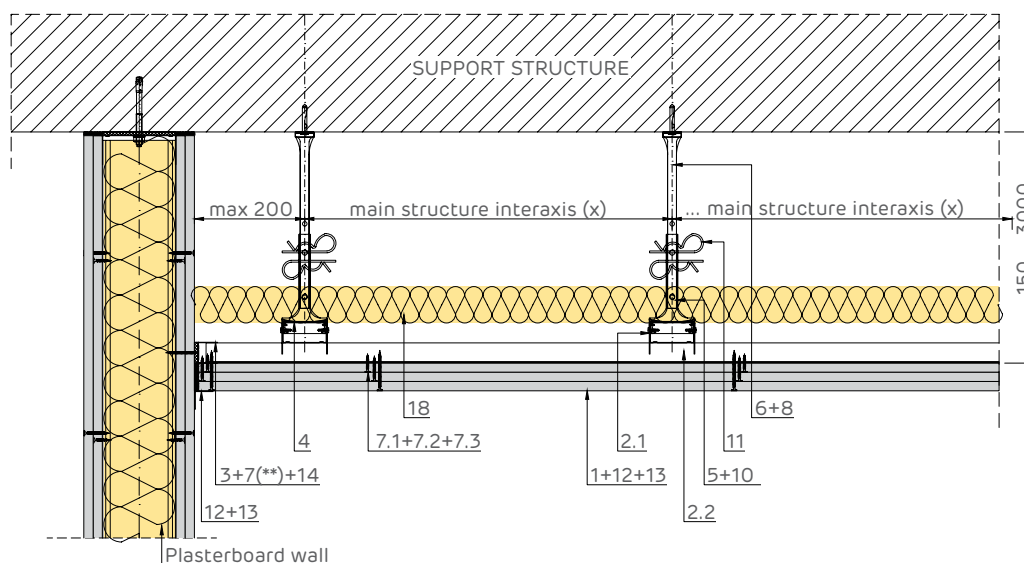
Sliding joint with sturdy items  
Cross section



## Sliding jointing with sturdy item Longitudinal section



## Jointing with plasterboard wall Cross section

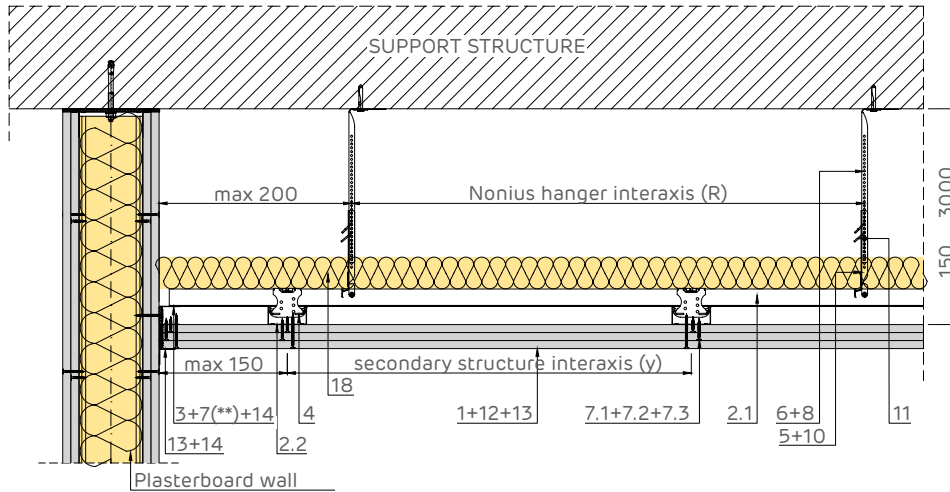


### NOTE:

(\*\*) The self-tapping screw will be fixed to the metal structure of the plasterboard wall, choosing the length according to the thickness of the wall package (thickness of the wall board layers).

- |   |   |
|---|---|
| ① 3 x Siniat plasterboard   | ⑨ Mechanical fixing (*1), laid out at 500 mm pitch                            |
| ② 1. NIDA Metal CD60 main profile<br>2. NIDA Metal CD60 secondary profile   | ⑩ Self-drilling screw 4.2x13 FLAT HEAD 2 pcs.                                 |
| ③ NIDA Metal UD30 runner profile  | ⑪ Nonius clamp 2 pcs./fastening   |
| ④ NIDA Metal CD60 double joint connection   | ⑫ NIDA Profesional jointing plaster   |
| ⑤ NIDA Metal lower Nonius hanger  | ⑬ Jointing tape (*2)  |
| ⑥ NIDA Metal upper Nonius hanger  | ⑭ Single-sided adhesive sealing tape  |
| ⑦ 1. Self-tapping screw 212 x L1 @ 600 mm<br>2. Self-tapping screw 212 x L2 @ 600 mm<br>3. Self-tapping screw 212 x L3 @ 300 mm | ⑮ Joint treated with NIDA Boardfix  |
| ⑧ Mechanical fixing (*1), 1 pc/fastening  | ⑯ 1. 3xSiniat board strip<br>2. Siniat board strip pre-mounted with 212 screw |
|   | ⑰ Corner protection profile   |
|   | ⑱ Mineral wool (*3)   |

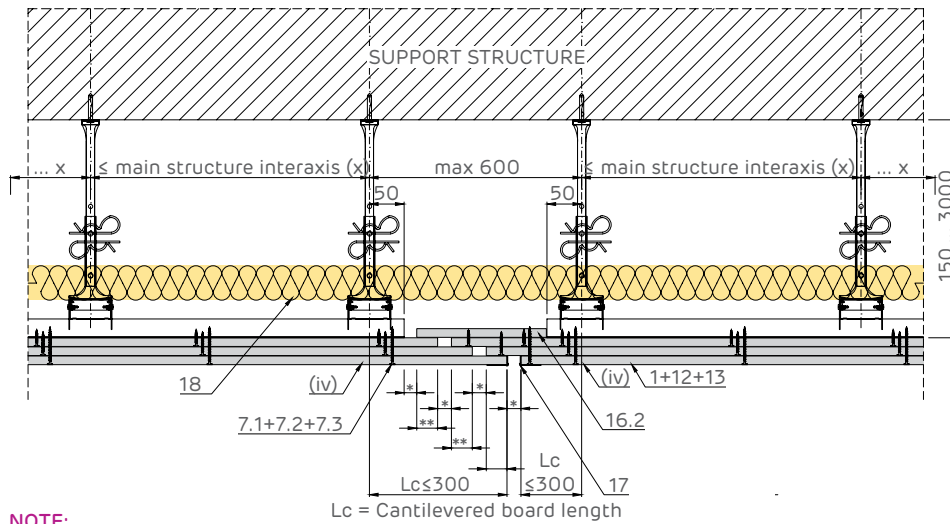
Joining with plasterboard wall  
Longitudinal section



NOTE:

(\*\*) The self-tapping screw will be fixed to the metal structure of the plasterboard wall, choosing the length according to the thickness of the wall package (thickness of the wall board layers).

Expansion joint  
Cross section



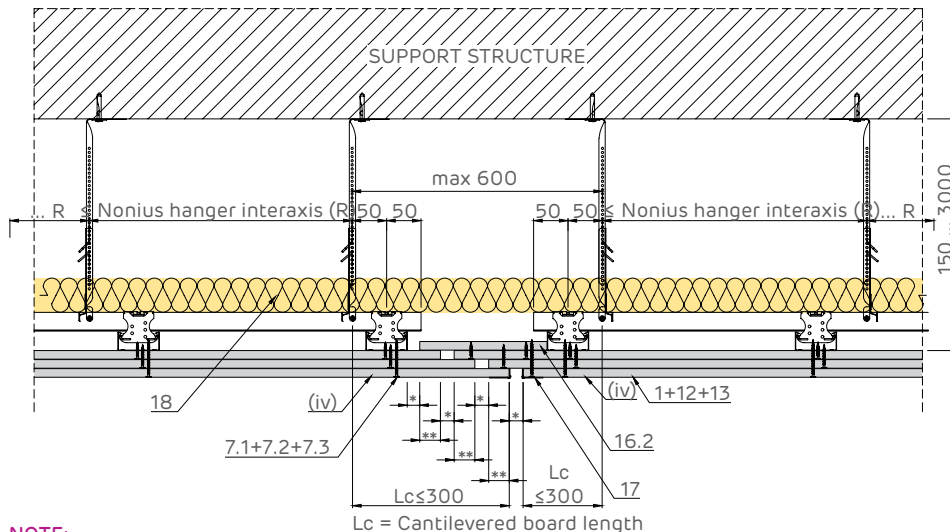
NOTE:

(iv) For the last plasterboard layer, it is not acceptable to make a joint in front of the specified profile; The joint should also be placed in front of the structural joints;

\* The size of the joint will also be determined by the size of the structural joint, but not less than 20 mm;

\*\* The board overlap will have a minimum size of (\* + 10 mm)

Expansion joint  
Longitudinal section



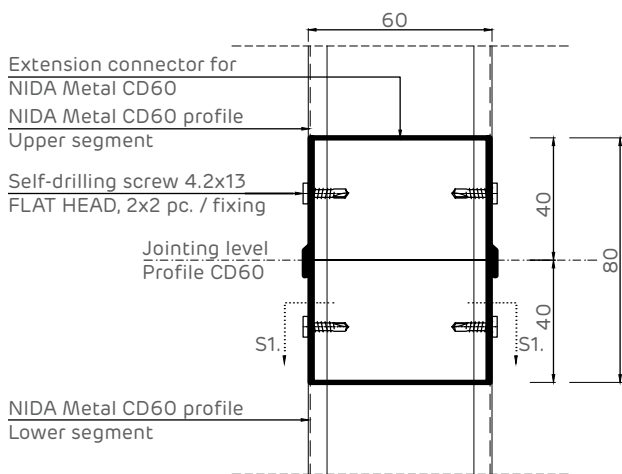
NOTE:

(iv) For the last plasterboard layer, it is not acceptable to make a joint in front of the specified profile; The joint should also be placed in front of the structural joints;

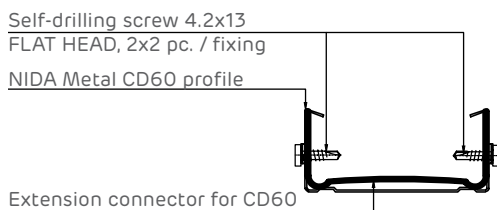
\* The size of the joint will also be determined by the size of the structural joint, but not less than 20 mm;

\*\* The board overlap will have a minimum size of (\* + 10 mm)

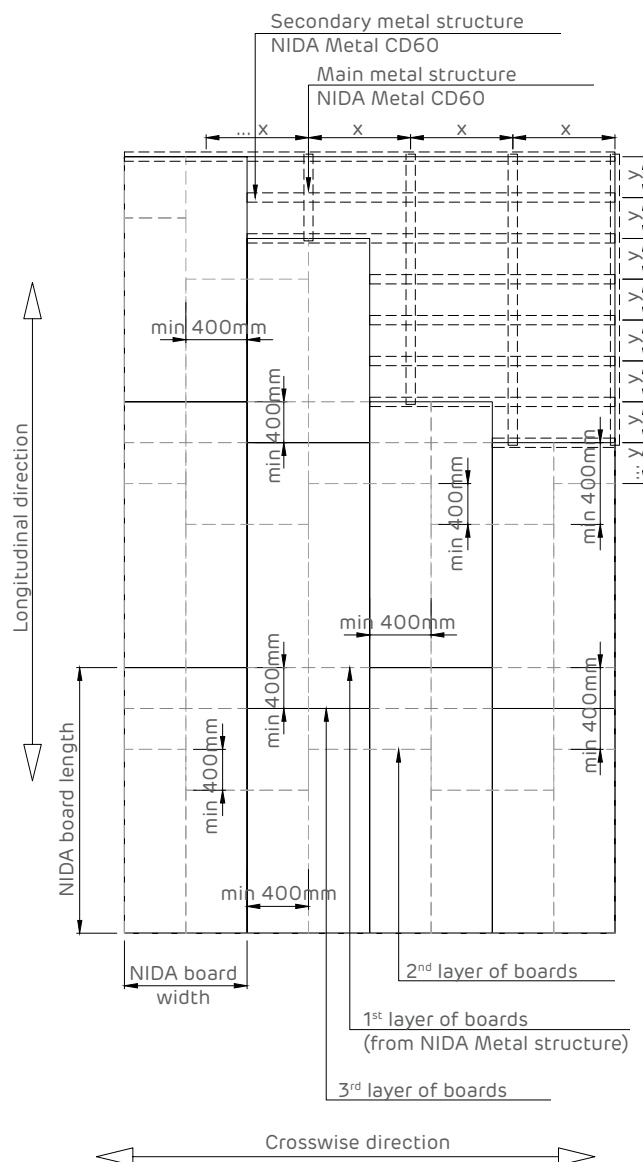
## Detail of NIDA Metal CD60 profile extension



### Section S1 - S1



## Board joint staggering System elevation

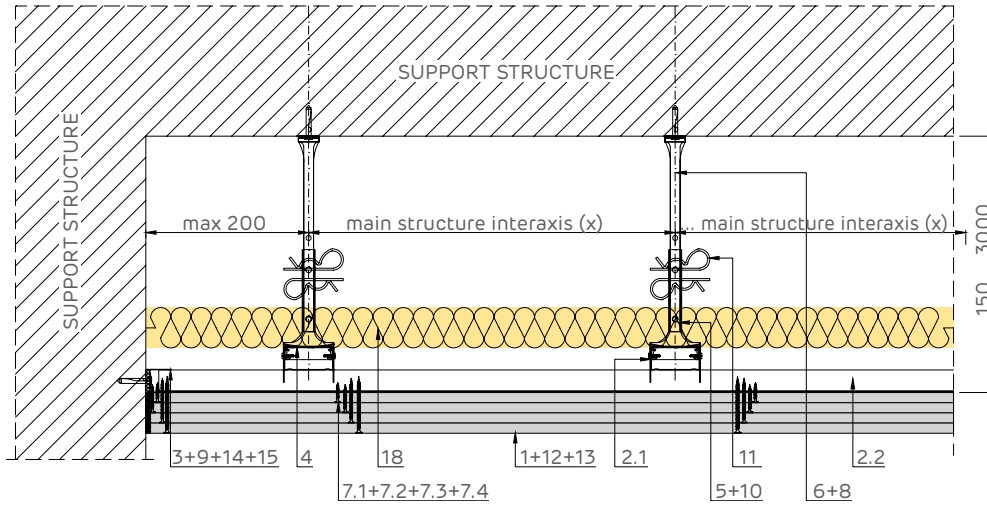


The boards should be mounted with the length perpendicular to the NIDA Metal CD60 profiles. The overlap of the boards lengthwise is minimum 400 mm.

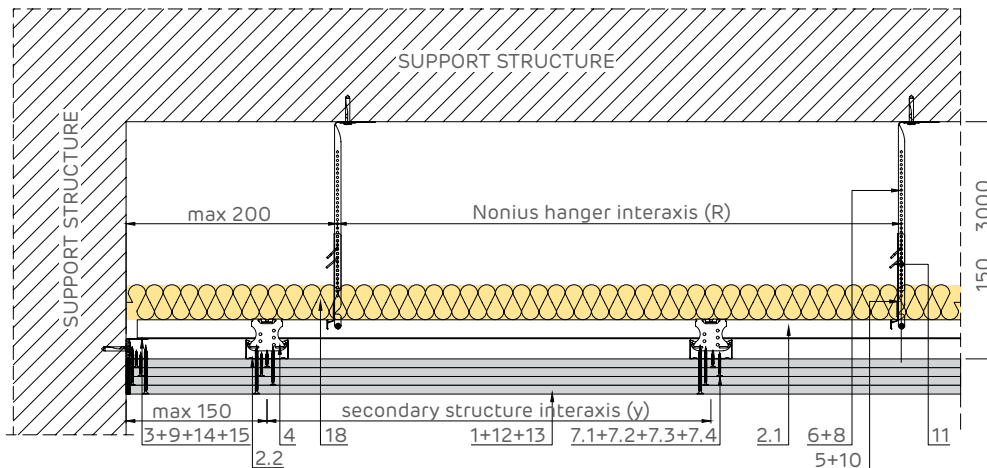
- 1 3 x Siniat plasterboard
- 2 1. NIDA Metal CD60 main profile  
2. NIDA Metal CD60 secondary profile
- 3 NIDA Metal UD30 runner profile
- 4 NIDA Metal CD60 double joint connection
- 5 NIDA Metal lower Nonius hanger
- 6 NIDA Metal upper Nonius hanger
- 7 1. Self-tapping screw 212 x L1 @ 600 mm  
2. Self-tapping screw 212 x L2 @ 600 mm  
3. Self-tapping screw 212 x L3 @ 300 mm
- 8 Mechanical fixing (\*1) , 1 pc./fastening
- 9 Mechanical fixing (\*1), laid out at 500 mm pitch
- 10 Self-drilling screw 4.2x13 FLAT HEAD 2 pcs.
- 11 Nonius clamp 2 pcs./fastening
- 12 NIDA Profesional jointing plaster
- 13 Jointing tape (\*2)
- 14 Single-sided adhesive sealing tape
- 15 Joint treated with NIDA Boardfix
- 16 1. 3xSiniat board strip  
2. Siniat board strip pre-mounted with 212 screw
- 17 Corner protection profile
- 18 Mineral wool (\*3)

# NIDA System P: NIDA System suspended ceiling, fourfold layer on double structure with Nonius hanger

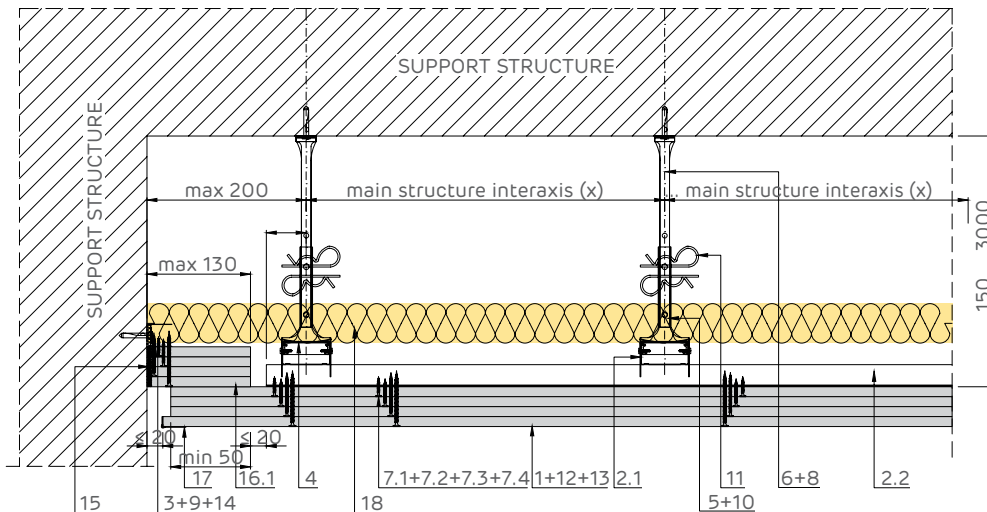
Rigid jointing with sturdy item  
Cross section



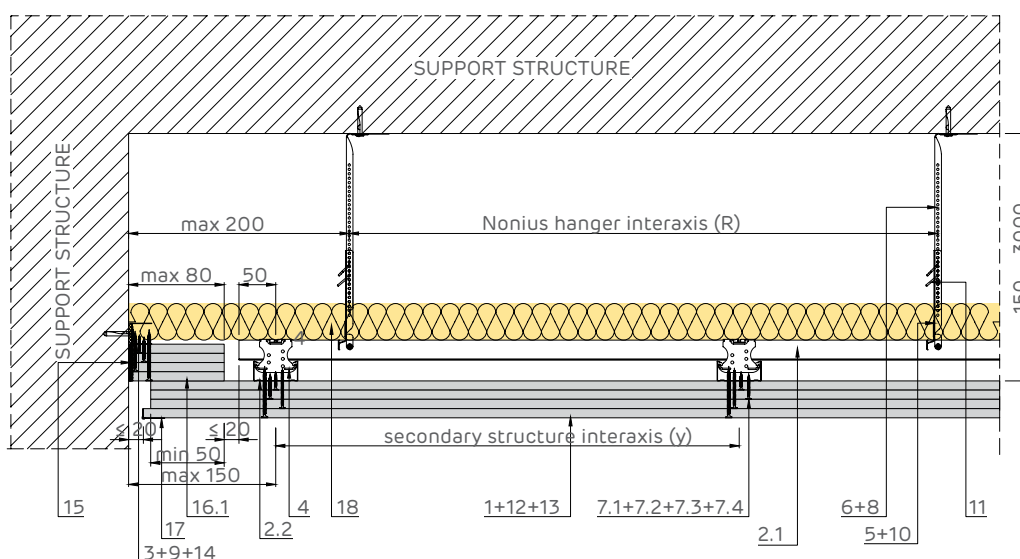
Rigid jointing with sturdy item  
Longitudinal section



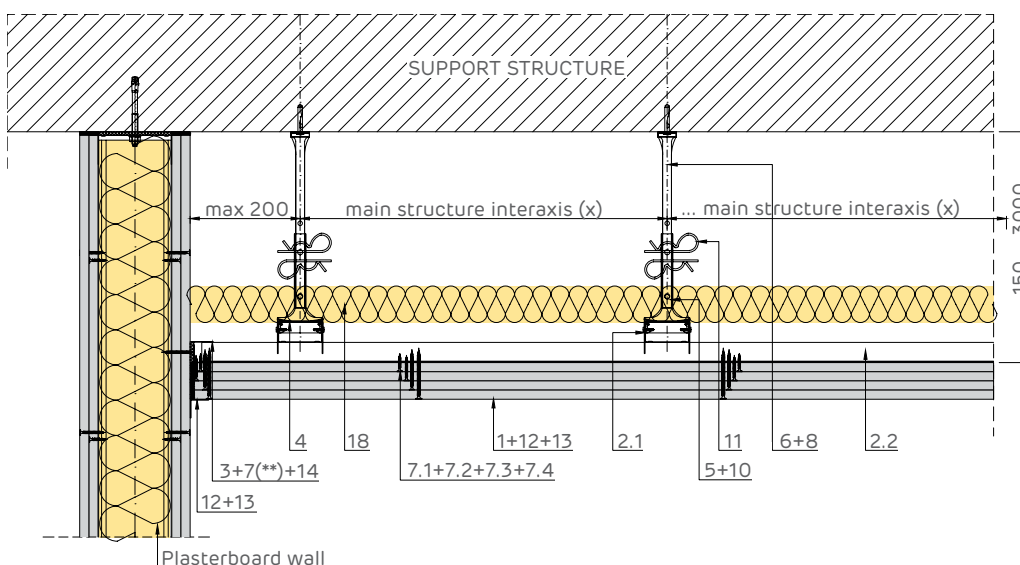
Sliding joint with sturdy items  
Cross section



## Sliding jointing with sturdy item Longitudinal section



## Jointing with plasterboard wall Cross section



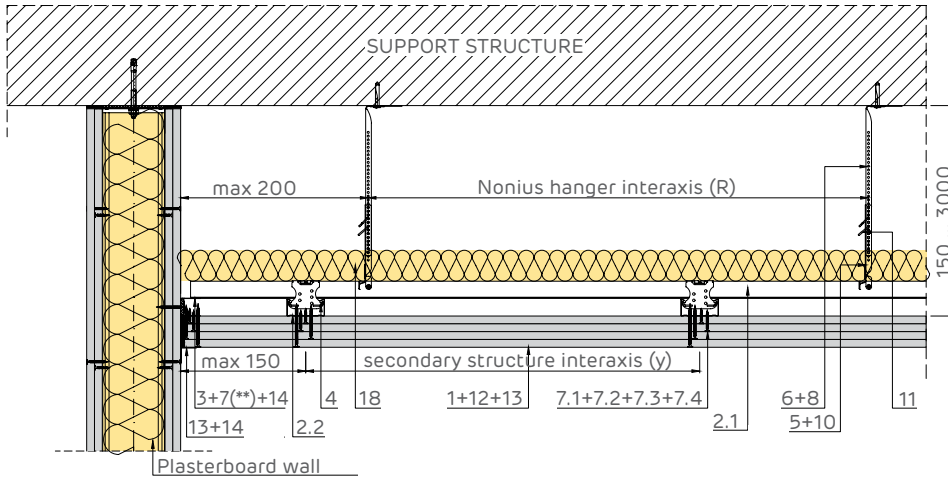
### NOTE:

(\*\*) The self-tapping screw will be fixed to the metal structure of the plasterboard wall, choosing the length according to the thickness of the wall package (thickness of the wall board layers).

- |  |   |
|--|---|
| ① 4 x Siniat plasterboard  | ⑨ Mechanical fixing (*1), laid out at 500 mm pitch                                |
| ② 1. NIDA Metal CD60 main profile<br>2. NIDA Metal CD60 secondary profile  | ⑩ Self-drilling screw 4.2x13 FLAT HEAD 2 pcs.                                     |
| ③ NIDA Metal UD30 runner profile   | ⑪ Nonius clamp 2 pcs./fastening   |
| ④ NIDA Metal CD60 double joint connection  | ⑫ NIDA Profesional jointing plaster   |
| ⑤ NIDA Metal lower Nonius hanger   | ⑬ Jointing tape (*2)  |
| ⑥ NIDA Metal upper Nonius hanger   | ⑭ Single-sided adhesive sealing tape  |
| ⑦ 1. Self-tapping screw 212 x L1 @ 600 mm<br>2. Self-tapping screw 212 x L2 @ 600 mm<br>3. Self-tapping screw 212 x L3 @ 600 mm<br>4. Self-tapping screw 212 x L4 @ 300 mm | ⑮ Joint treated with NIDA Boardfix  |
| ⑧ Mechanical fixing (*1), 1 pc/fastening   | ⑯ 1. 4xŞtraif de placă Siniat<br>2. Siniat board strip pre-mounted with 212 screw |
|  | ⑰ Corner protection profile   |
|  | ⑱ Mineral wool (*3)   |

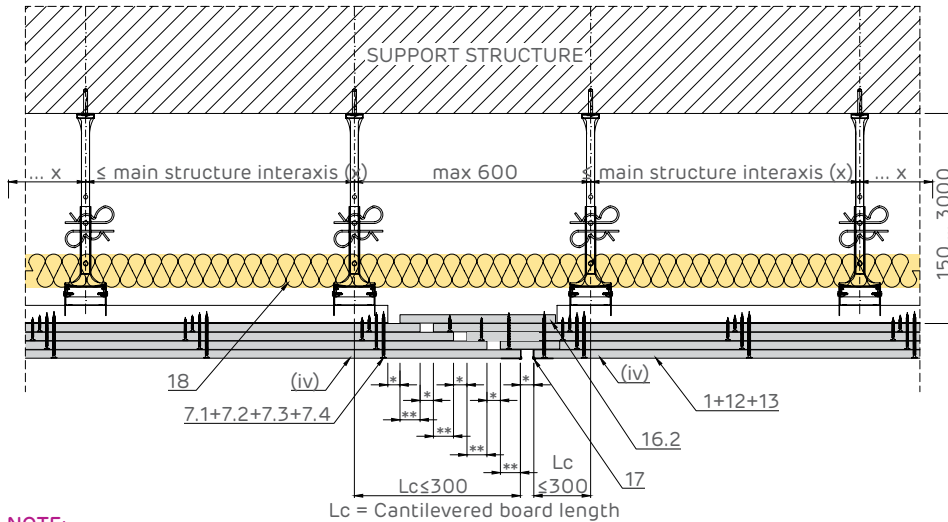


Joining with plasterboard wall  
Longitudinal section



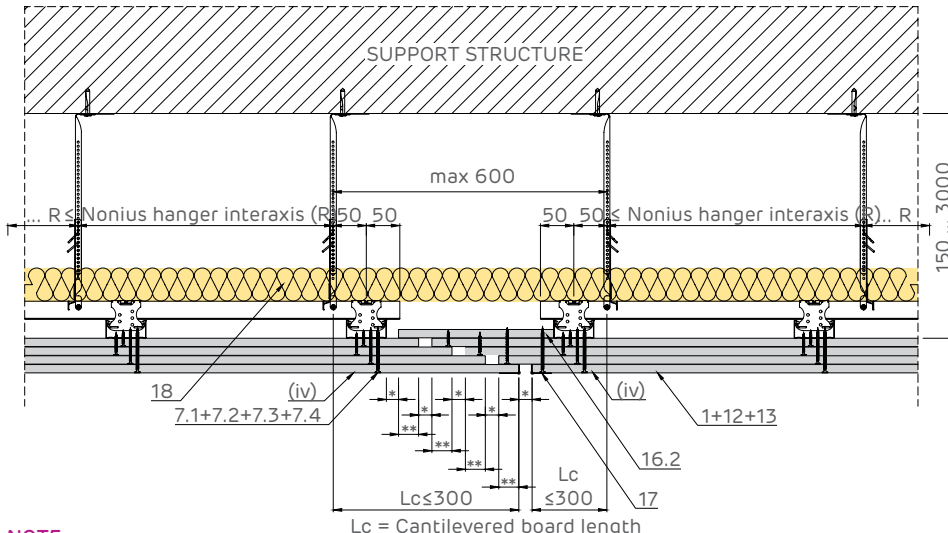
**NOTE:**  
(\*\*) The self-tapping screw will be fixed to the metal structure of the plasterboard wall, choosing the length according to the thickness of the wall package (thickness of the wall board layers).

Expansion joint  
Cross section



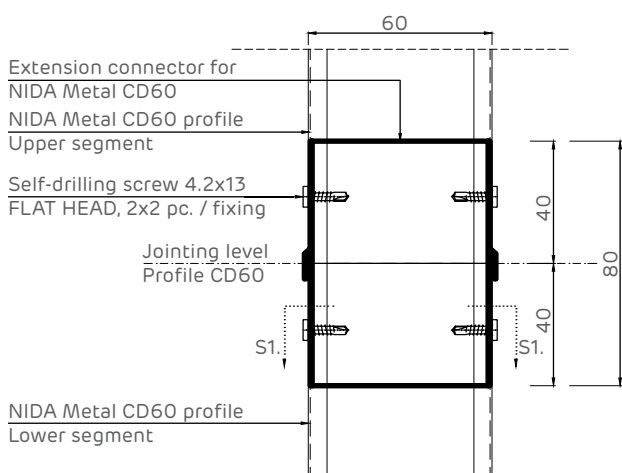
**NOTE:**  
(iv) For the last plasterboard layer, it is not acceptable to make a joint in front of the specified profile; The joint should also be placed in front of the structural joints;  
\* The size of the joint will also be determined by the size of the structural joint, but not less than 20 mm;  
\*\* The board overlap will have a minimum size of (\* + 10 mm)

Expansion joint  
Longitudinal section

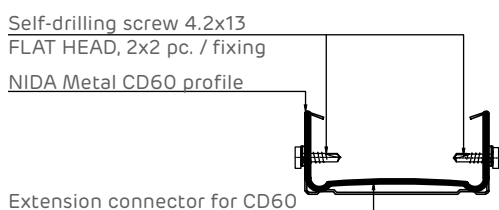


**NOTE:**  
(iv) For the last plasterboard layer, it is not acceptable to make a joint in front of the specified profile; The joint should also be placed in front of the structural joints;  
\* The size of the joint will also be determined by the size of the structural joint, but not less than 20 mm;  
\*\* The board overlap will have a minimum size of (\* + 10 mm)

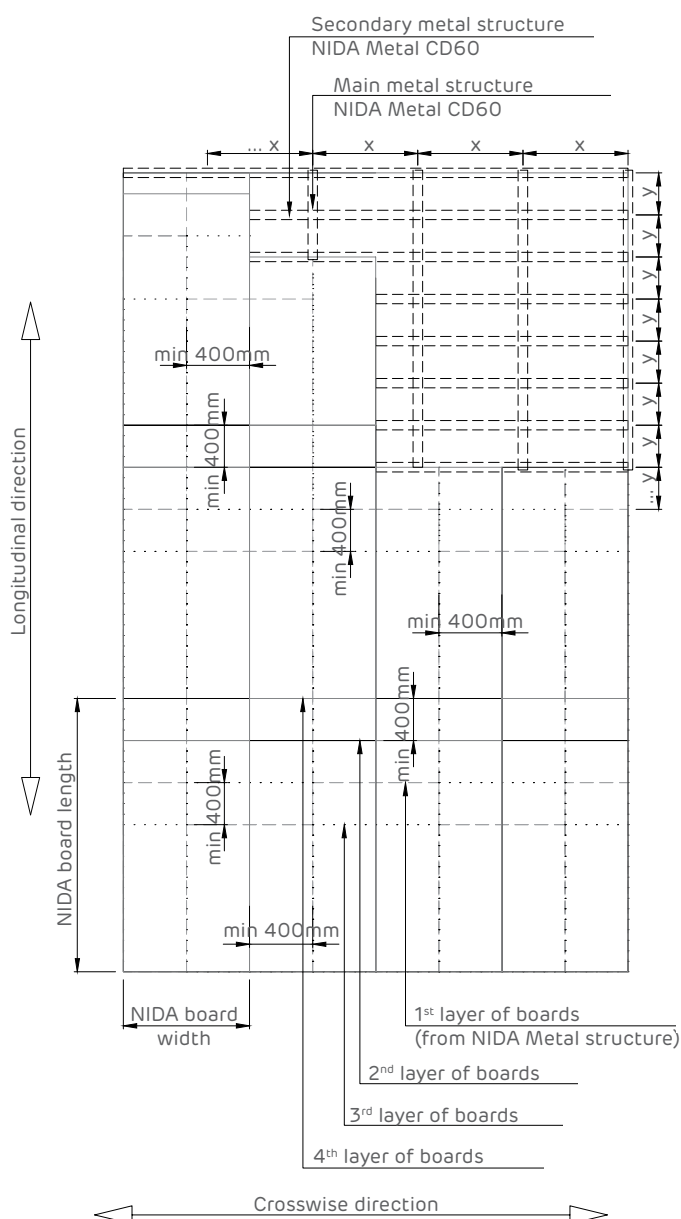
## Detail of NIDA Metal CD60 profile extension



### Section S1 - S1



## Board joint staggering System elevation

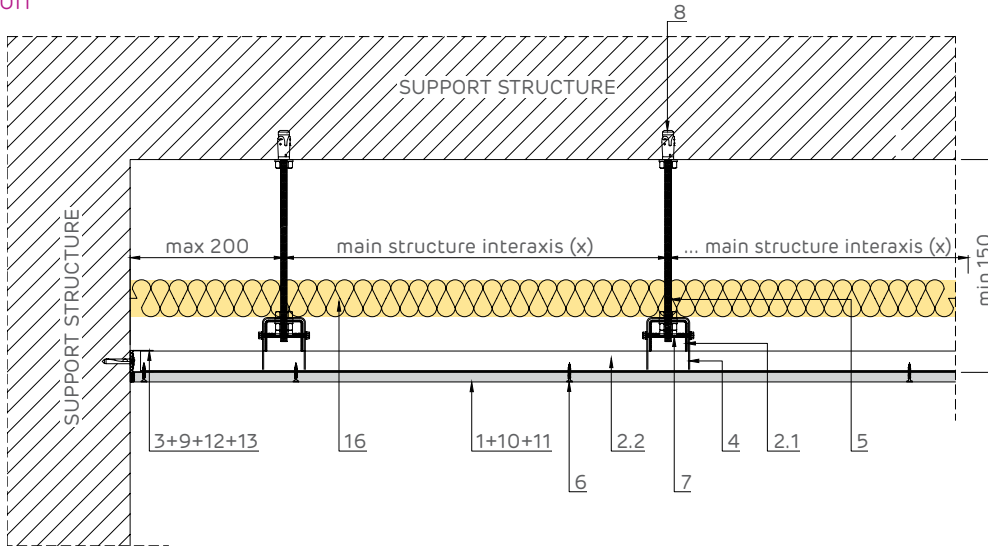


The boards should be mounted with the length perpendicular to the NIDA Metal CD60 profiles. The overlap of the boards lengthwise is minimum 400 mm.

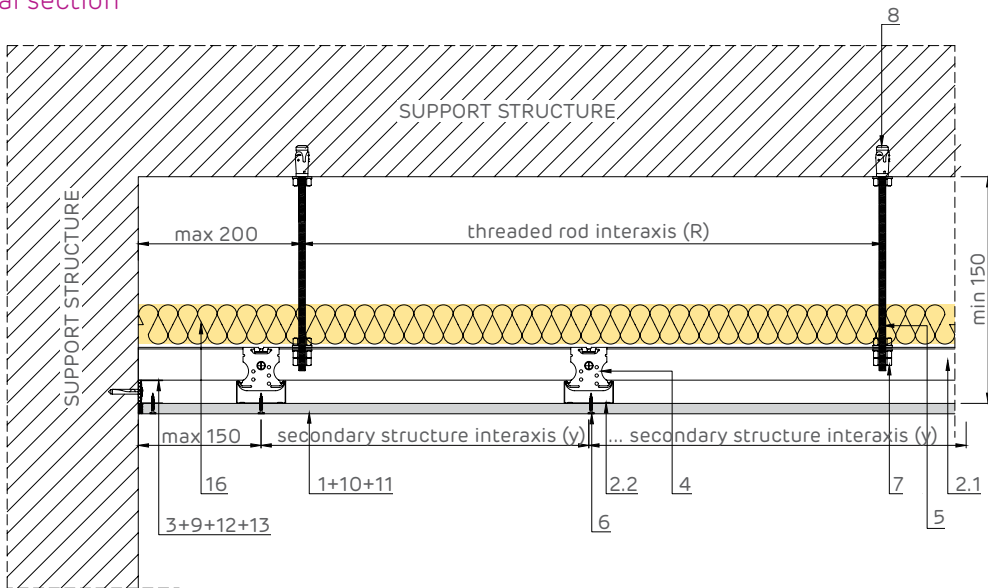
- 1 4 x Siniat plasterboard
- 2 1. NIDA Metal CD60 main profile  
2. NIDA Metal CD60 secondary profile
- 3 NIDA Metal UD30 runner profile
- 4 NIDA Metal CD60 double joint connection
- 5 NIDA Metal lower Nonius hanger
- 6 NIDA Metal upper Nonius hanger
- 7 1. Self-tapping screw 212 x L1 @ 600 mm  
2. Self-tapping screw 212 x L2 @ 600 mm  
3. Self-tapping screw 212 x L3 @ 600 mm  
4. Self-tapping screw 212 x L4 @ 300 mm
- 8 Mechanical fixing (\*1) , 1 pc./fastening
- 9 Mechanical fixing (\*1), laid out at 500 mm pitch
- 10 Self-drilling screw 4.2x13 FLAT HEAD 2 pcs.
- 11 Nonius clamp 2 pcs./fastening
- 12 NIDA Profesional jointing plaster
- 13 Jointing tape (\*2)
- 14 Single-sided adhesive sealing tape
- 15 Joint treated with NIDA Boardfix
- 16 1. 4xSiniat board strip  
2. Siniat board strip pre-mounted with 212 screw
- 17 Corner protection profile
- 18 Mineral wool (\*3)

# NIDA System P: NIDA System suspended ceiling, single layer on UA50/CD60 double structure with threaded rod

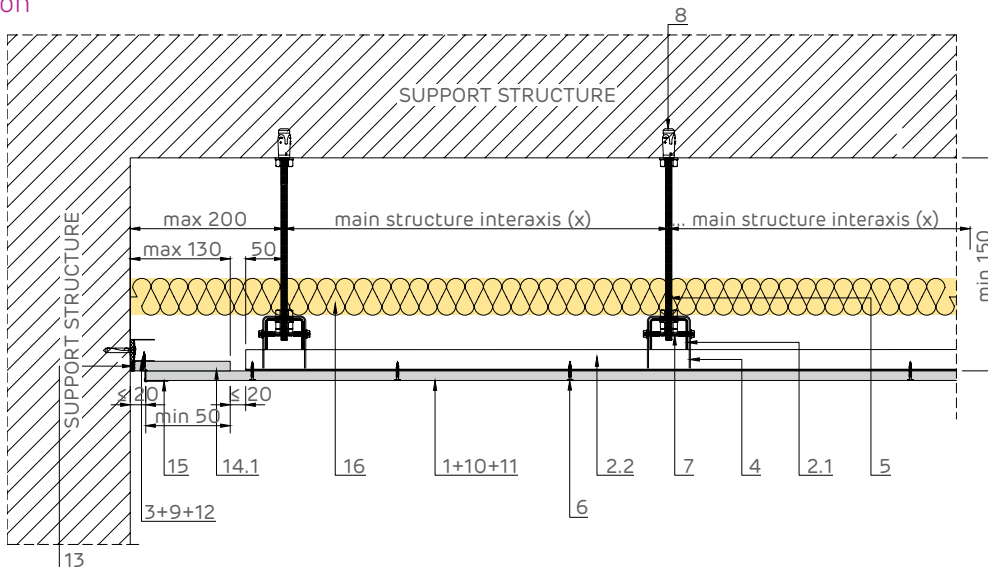
Rigid jointing with sturdy item  
Cross section



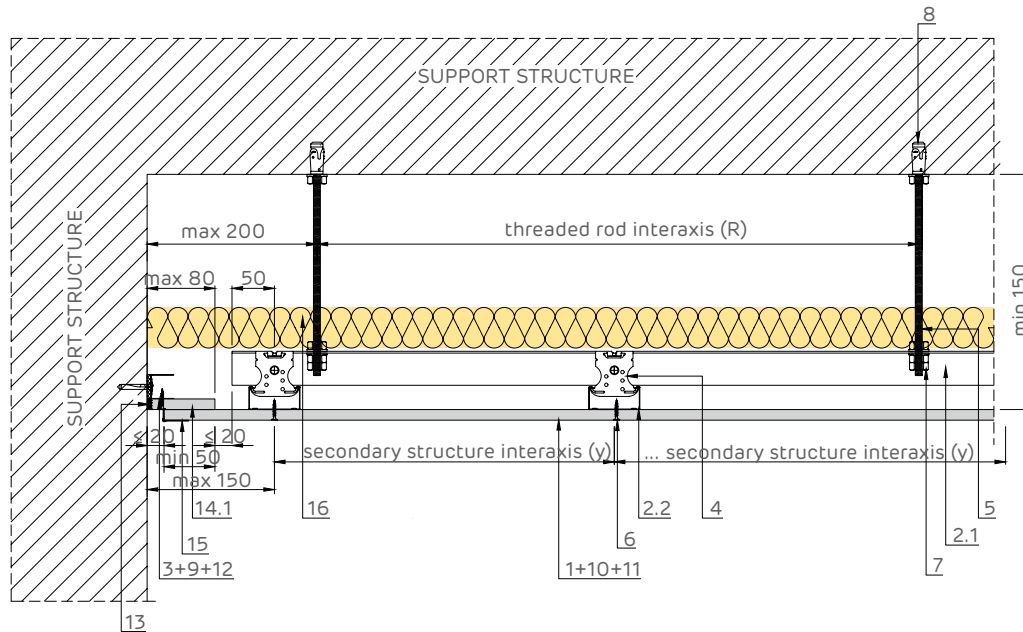
Rigid jointing with sturdy item  
Longitudinal section



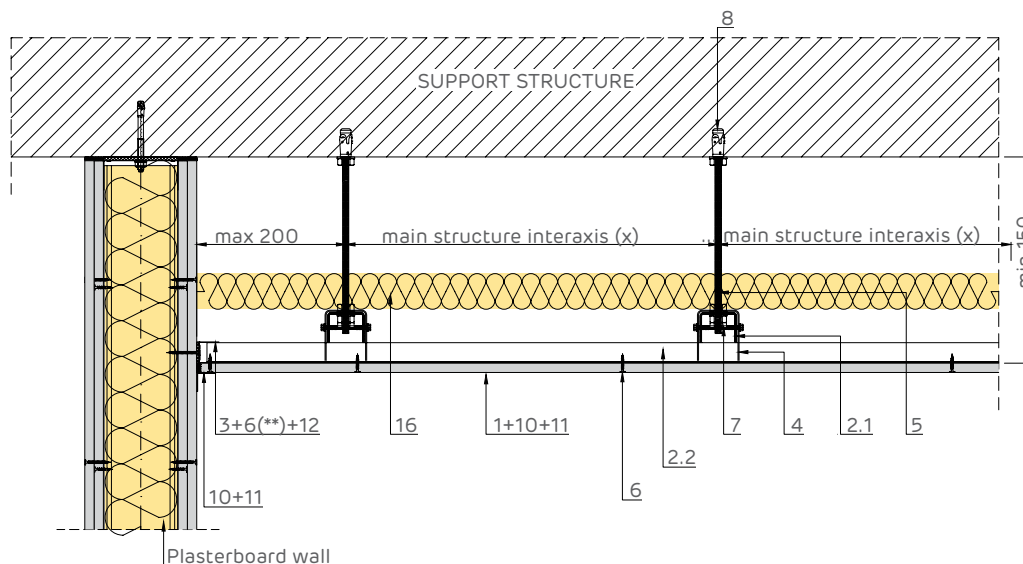
Sliding joint with sturdy items  
Cross section



## Sliding joint with sturdy item Longitudinal section



## Joining with plasterboard wall Cross section

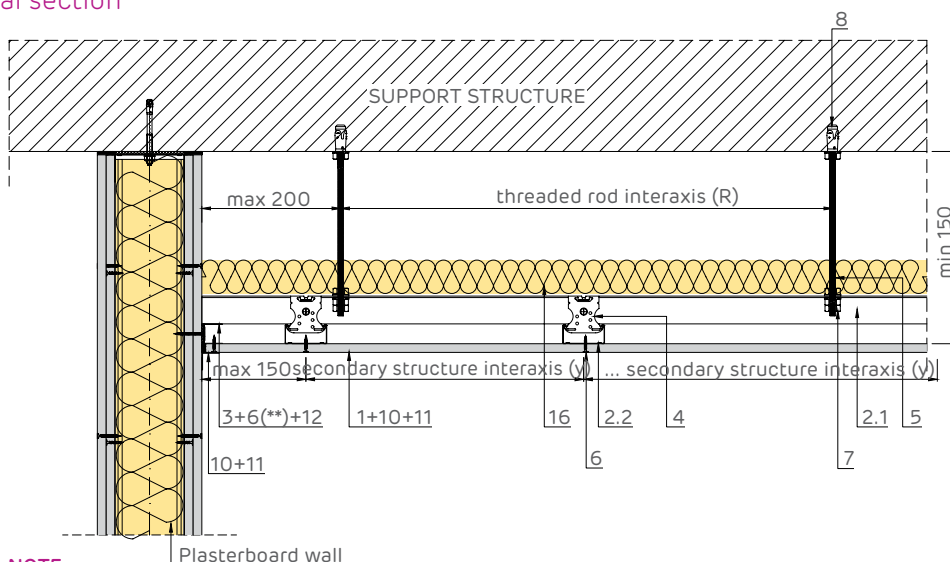


### NOTE:

(\*\*) The self-tapping screw will be fixed to the metal structure of the plasterboard wall, choosing the length according to the thickness of the wall package (thickness of the wall board layers).

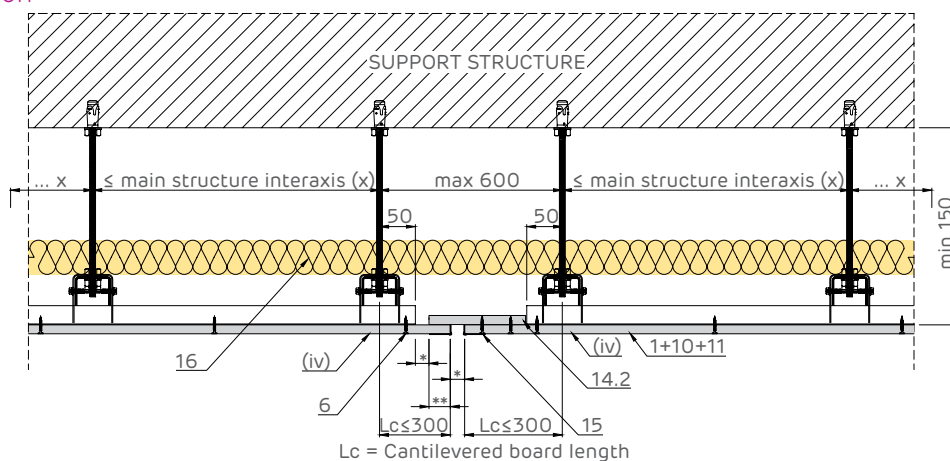
- |  |   |
|--|---|
| ① 1 x Siniat plasterboard  | ⑧ Flush anchor ( E.g. Hilti HKD M8 x 25 + Washer + Nut)                             |
| ② 1. NIDA Metal UA50 main profile<br>2. NIDA Metal CD60 secondary profile                                | ⑨ Mechanical fixing (*1), laid out at 500 mm pitch                                  |
| ③ NIDA Metal UD30 runner profile   | ⑩ Jointing tape (*2)  |
| ④ Double jointing connector<br>UA50-CD60 NIDA Metal<br>2x1 Self-drilling 5.5x25                          | ⑪ NIDA Profesional jointing plaster   |
| ⑤ Threaded rod M8, group 4.8   | ⑫ Single-sided adhesive sealing tape  |
| ⑥ Self-tapping 212 x L1 @ 300 mm   | ⑬ Joint treated with NIDA Boardfix  |
| ⑦ Threaded rod fixing - UA profile:<br>Upper: 1x (Flat Washer + Nut)<br>Lower: 1x (Flat Washer + 2x Nut) | ⑭ 1. 1 x Siniat board strip<br>2. 1 x Siniat board strip pre-mounted with 212 screw |
|  | ⑮ Corner protection profile   |
|  | ⑯ Mineral wool (*3)   |

Joining with plasterboard wall  
Longitudinal section



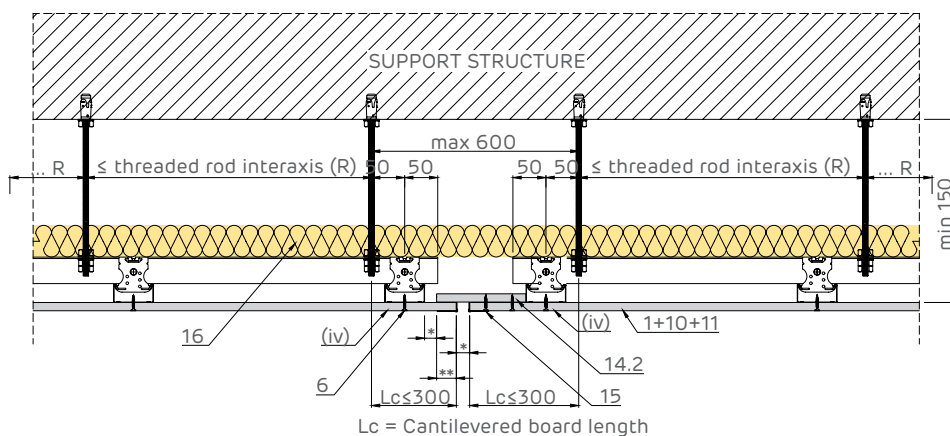
**NOTE:**  
(\*\*) The self-tapping screw will be fixed to the metal structure of the plasterboard wall, choosing the length according to the thickness of the wall package (thickness of the wall board layers).

Expansion joint  
Cross section



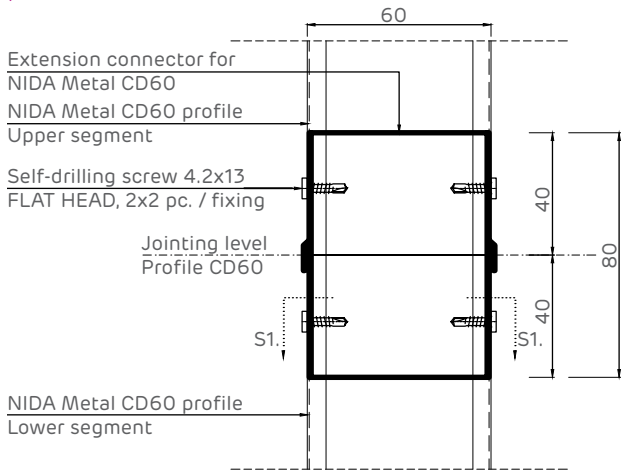
**NOTE:**  
(iv) For the last plasterboard layer, it is not acceptable to make a joint in front of the specified profile; The joint should also be placed in front of the structural joints;  
\* The size of the joint will also be determined by the size of the structural joint, but not less than 20 mm;  
\*\* The board overlap will have a minimum size of (\* + 10 mm)

Expansion joint  
Longitudinal section

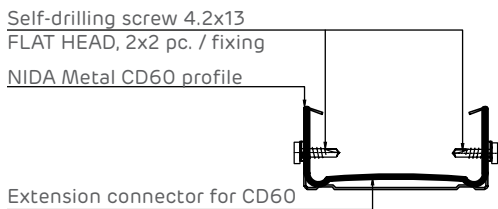


**NOTE:**  
(iv) For the last plasterboard layer, it is not acceptable to make a joint in front of the specified profile; The joint should also be placed in front of the structural joints;  
\* The size of the joint will also be determined by the size of the structural joint, but not less than 20 mm;  
\*\* The board overlap will have a minimum size of (\* + 10 mm)

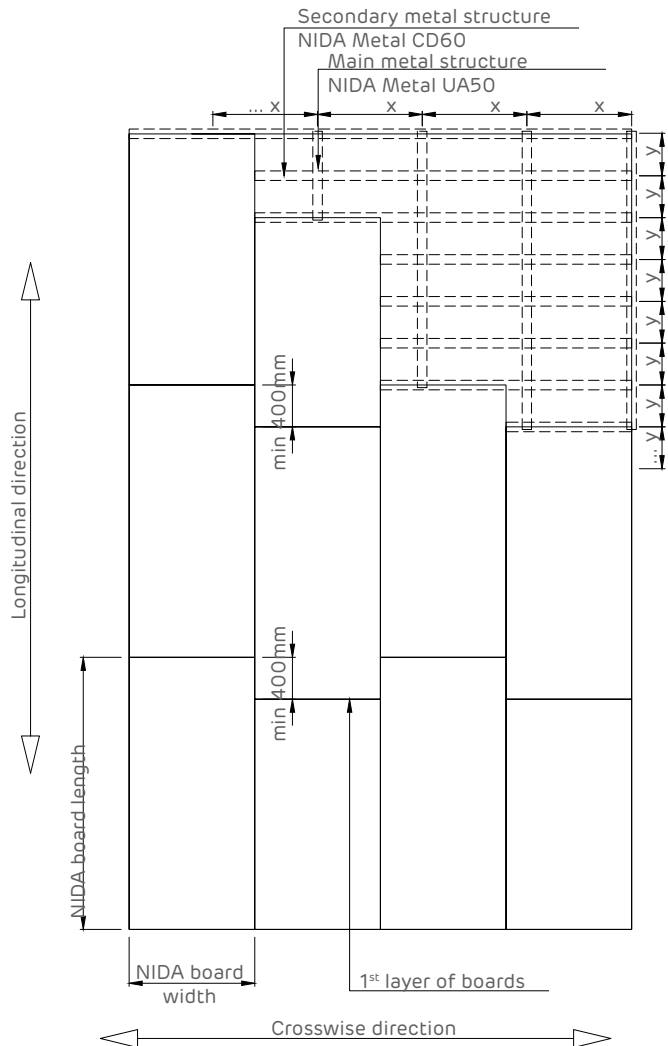
Detail of NIDA Metal CD60 profile extension



Section S1 - S1

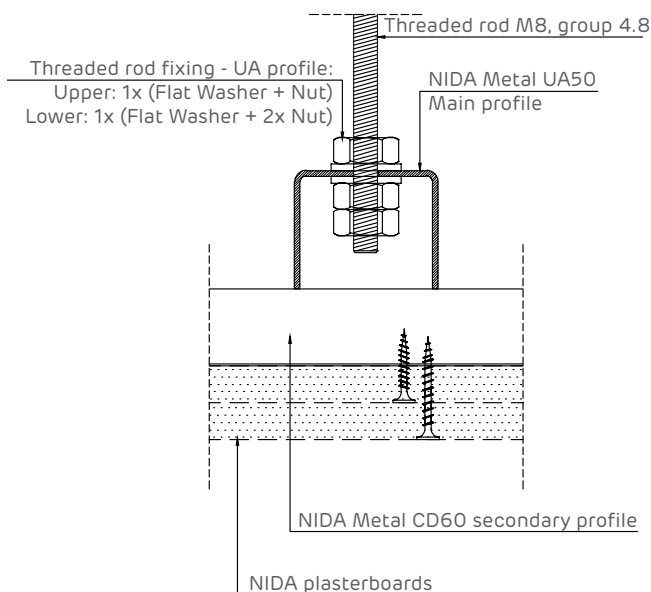


Board joint staggering System elevation

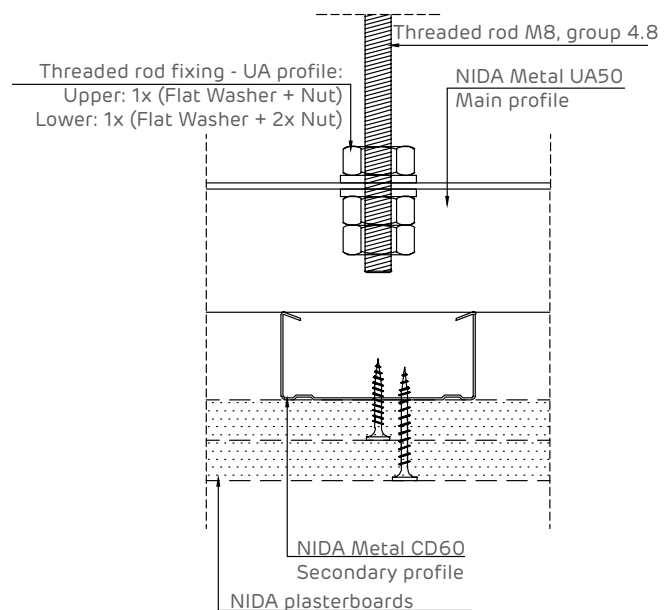


The boards should be mounted with the length perpendicular to the NIDA Metal CD60 profiles. The overlap of the boards lengthwise is minimum 400 mm.'

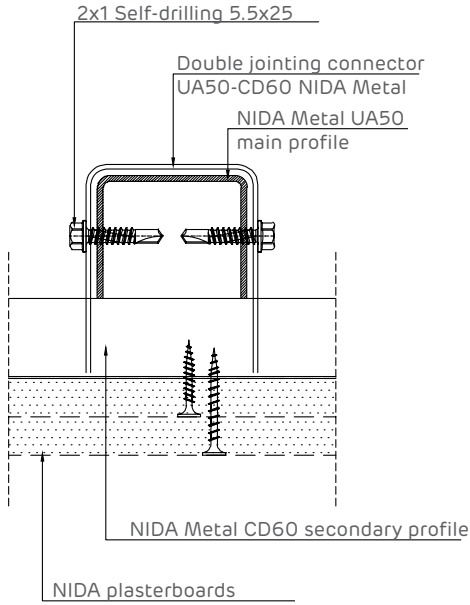
Threaded rod fixing detail Cross section



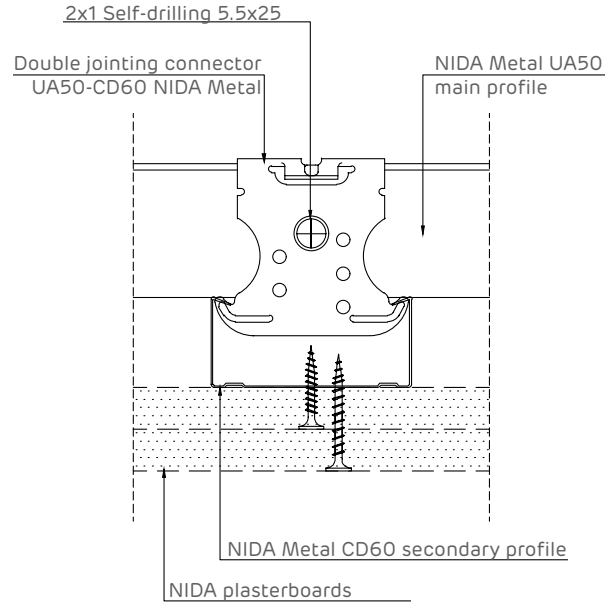
Threaded rod fixing detail Longitudinal section



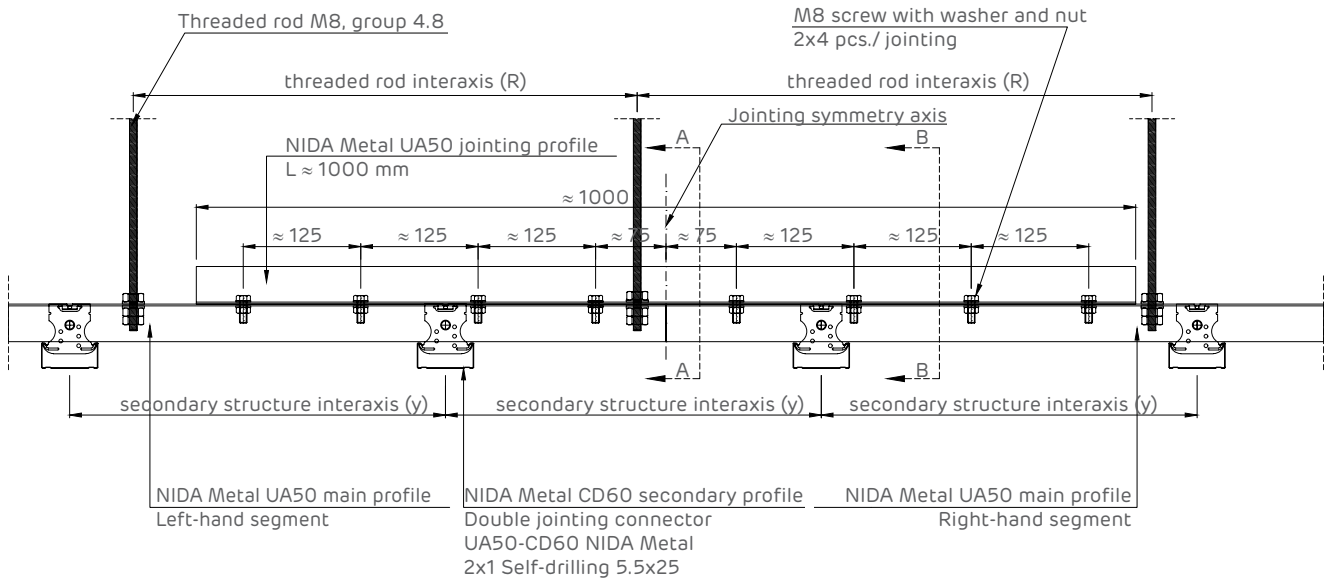
UA50 - CD60 fixing detail  
Cross section

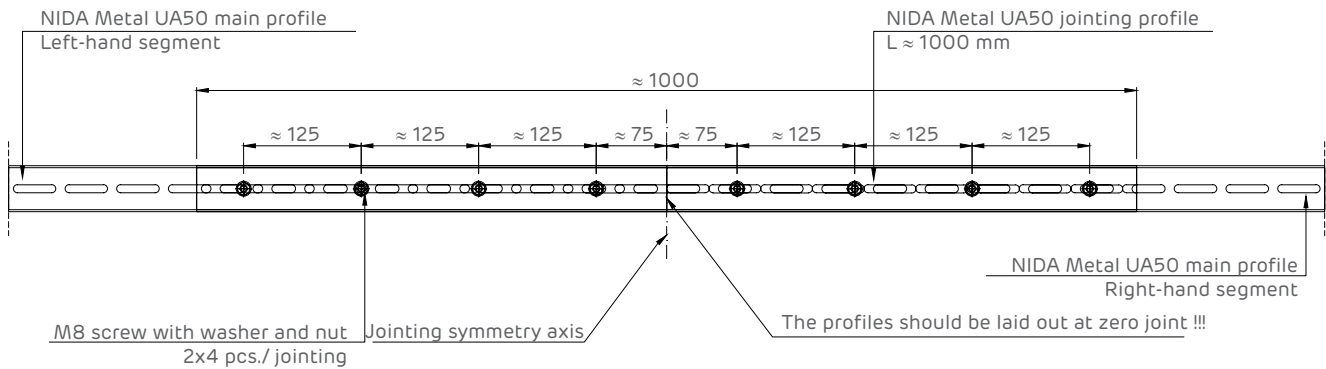


UA50 - CD60 fixing detail  
Longitudinal section

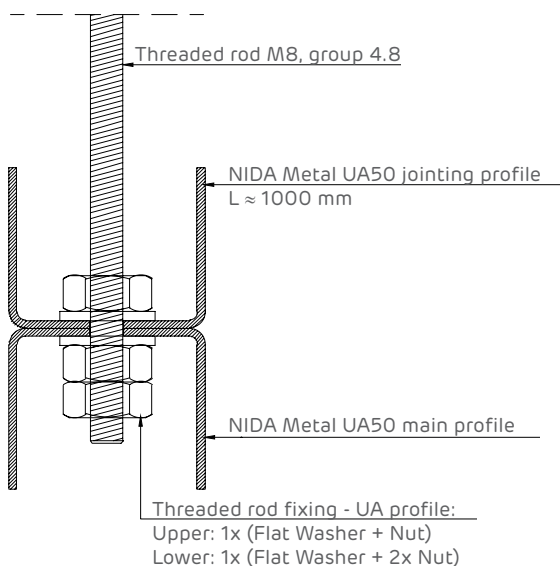


Detail of NIDA Metal UA50 profile extension  
Longitudinal and cross section

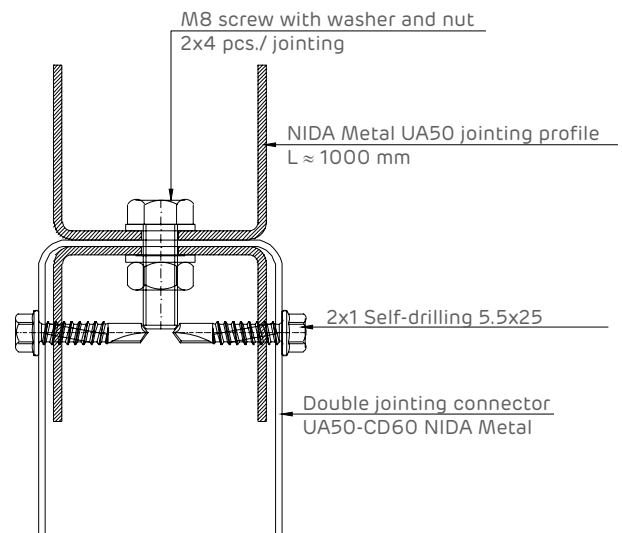




## Section A - A



## Section B - B

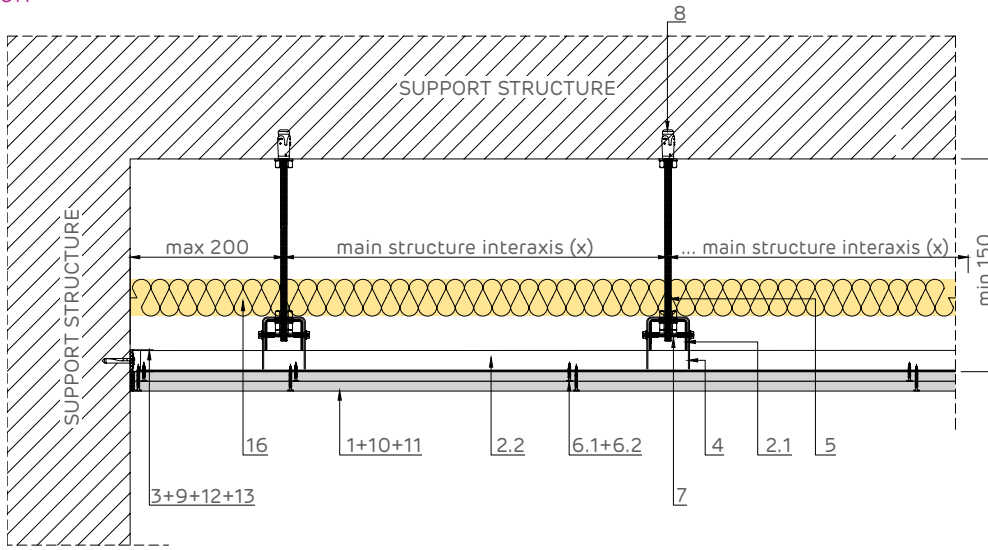


- 1 1 x Siniat plasterboard
- 2 1. NIDA Metal UA50 main profile  
2. NIDA Metal CD60 secondary profile
- 3 NIDA Metal UD30 runner profile
- 4 Double jointing connector  
UA50-CD60 NIDA Metal  
2x1 Self-drilling 5.5x25
- 5 Threaded rod M8, group 4.8
- 6 Self-tapping 212 x L1 @ 300 mm
- 7 Threaded rod fixing - UA profile:  
Upper: 1x (Flat Washer + Nut)  
Lower: 1x (Flat Washer + 2x Nut)
- 8 Flush anchor ( E.g. Hilti HKD M8 x 25 + Washer + Nut)
- 9 Mechanical fixing (\*1), laid out at 500 mm pitch
- 10 Jointing tape (\*2)
- 11 NIDA Profesional jointing plaster
- 12 Single-sided adhesive sealing tape
- 13 Joint treated with NIDA Boardfix
- 14 1. 1 x Siniat board strip  
2. 1 x Siniat board strip pre-mounted with 212 screw
- 15 Corner protection profile
- 16 Mineral wool (\*3)

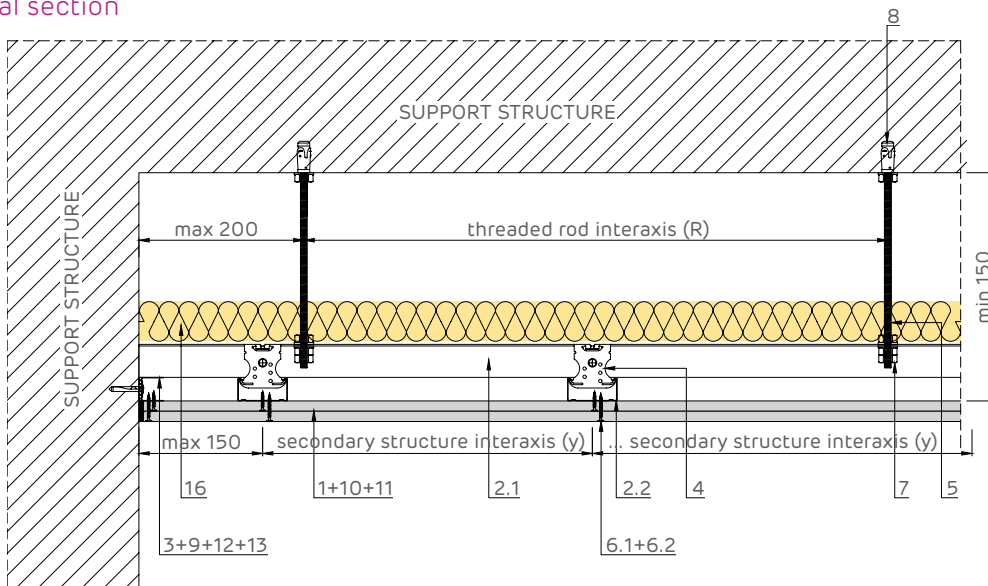


# NIDA System P: NIDA System suspended ceiling, double layer on UA50/CD60 double structure with threaded rod

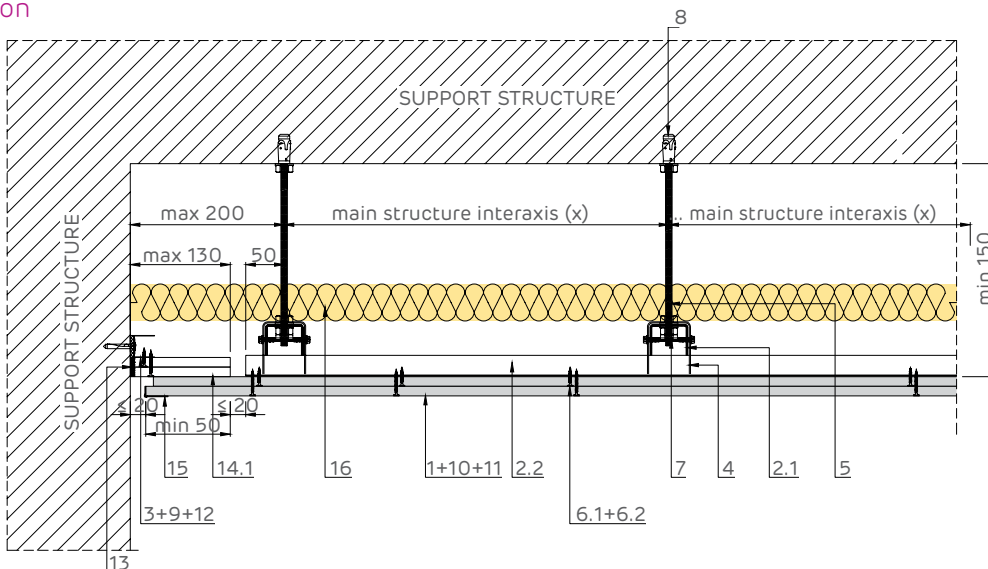
Rigid jointing with sturdy item  
Cross section



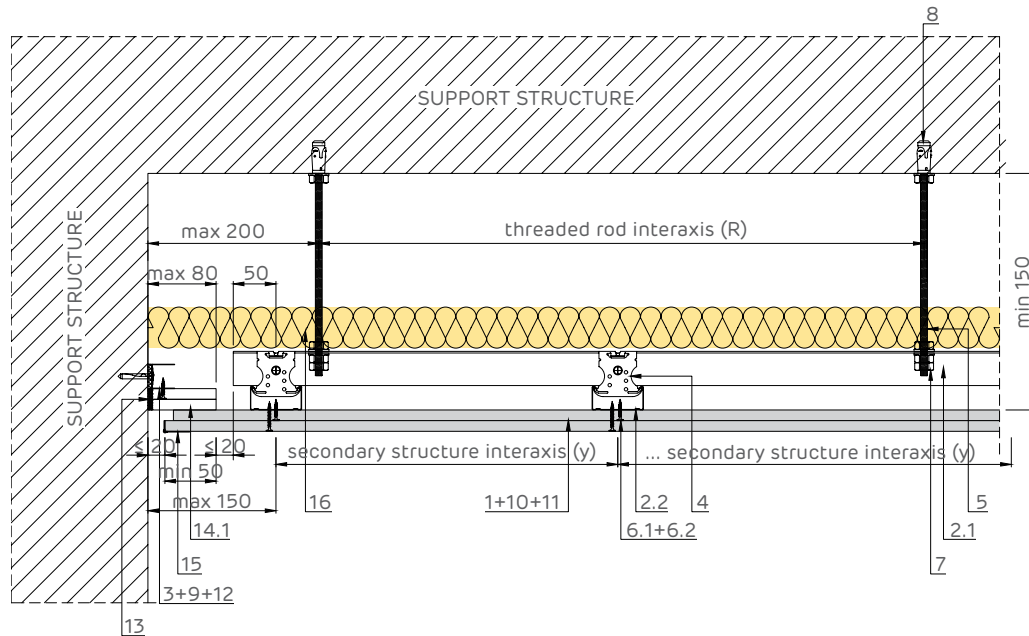
Rigid jointing with sturdy item  
Longitudinal section



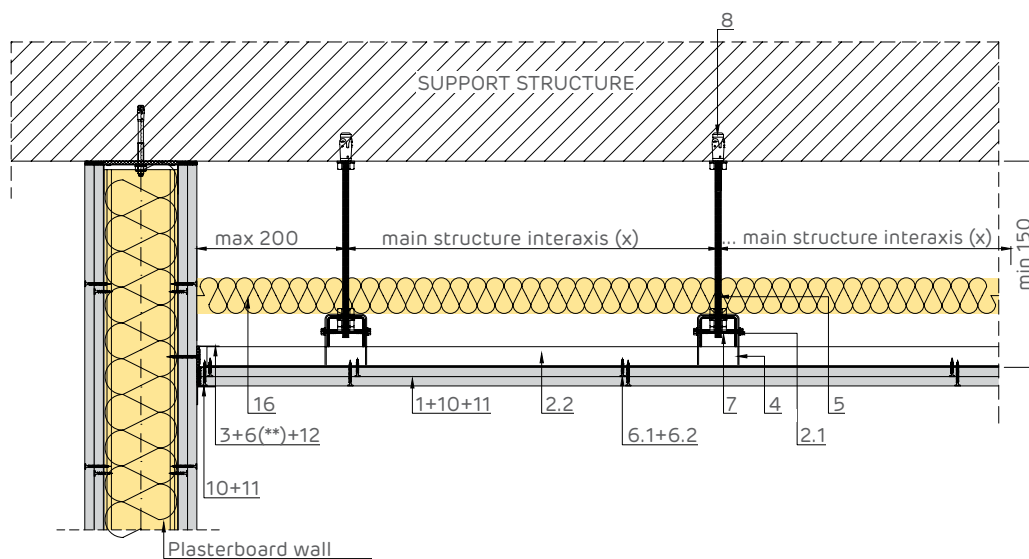
Sliding joint with sturdy items  
Cross section



## Sliding joint with sturdy item Longitudinal section



## Joining with plasterboard wall Cross section

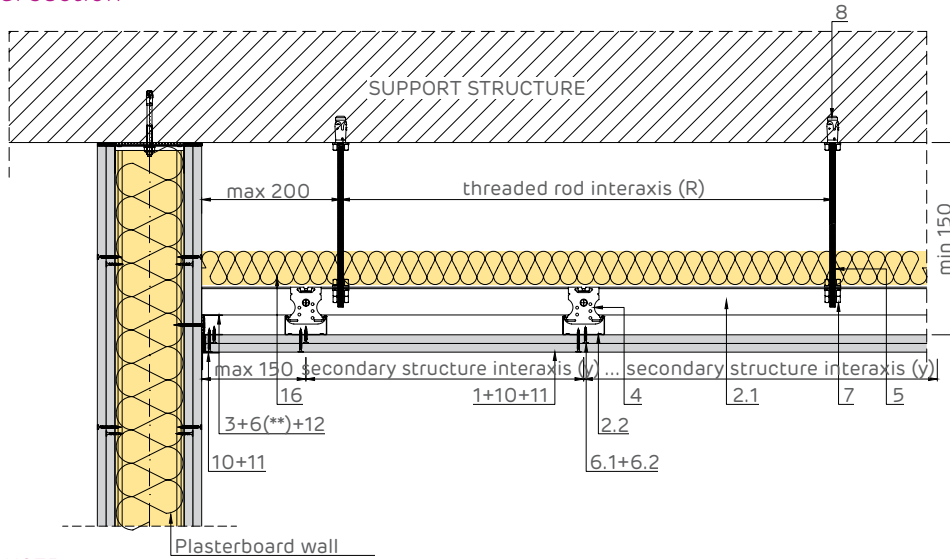


### NOTE:

(\*\*) The self-tapping screw will be fixed to the metal structure of the plasterboard wall, choosing the length according to the thickness of the wall package (thickness of the wall board layers).

- |  |   |
|--|---|
| ① 2 x Siniat plasterboard  | ⑧ Flush anchor ( E.g. Hilti HKD M8 x 25 + Washer + Nut)                             |
| ② 1. NIDA Metal UA50 main profile<br>2. NIDA Metal CD60 secondary profile                                | ⑨ Mechanical fixing (*1), laid out at 500 mm pitch                                  |
| ③ NIDA Metal UD30 runner profile   | ⑩ Jointing tape (*2)  |
| ④ Double jointing connector<br>UA50-CD60 NIDA Metal<br>2x1 Self-drilling 5.5x25                          | ⑪ NIDA Profesional jointing plaster   |
| ⑤ Threaded rod M8, group 4.8   | ⑫ Single-sided adhesive sealing tape  |
| ⑥ 1. Self-tapping 212 x L1 @ 600 mm<br>2. Self-tapping 212 x L2 @ 300 mm                                 | ⑬ Joint treated with NIDA Boardfix  |
| ⑦ Threaded rod fixing - UA profile:<br>Upper: 1x (Flat Washer + Nut)<br>Lower: 1x (Flat Washer + 2x Nut) | ⑭ 1. 2 x Siniat board strip<br>2. 1 x Siniat board strip pre-mounted with 212 screw |
|  | ⑮ Corner protection profile   |
|  | ⑯ Mineral wool (*3)   |

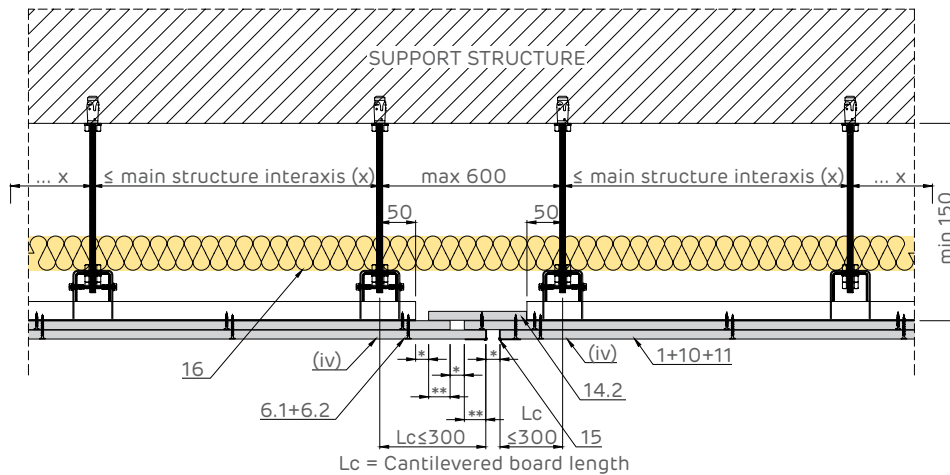
Joining with plasterboard wall  
Longitudinal section



**NOTE:**

(\*\*) The self-tapping screw will be fixed to the metal structure of the plasterboard wall, choosing the length according to the thickness of the wall package (thickness of the wall board layers).

Expansion joint  
Cross section



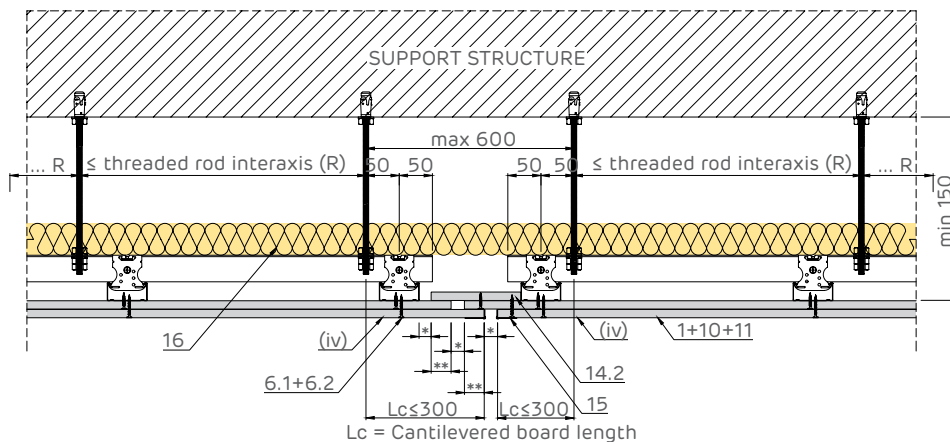
**NOTE:**

(iv) For the last plasterboard layer, it is not acceptable to make a joint in front of the specified profile; The joint should also be placed in front of the structural joints;

\* The size of the joint will also be determined by the size of the structural joint, but not less than 20 mm;

\*\* The board overlap will have a minimum size of (\* + 10 mm)

Expansion joint  
Longitudinal section



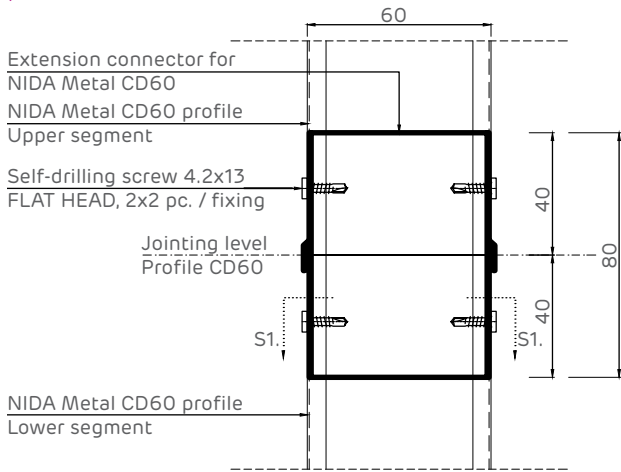
**NOTE:**

(iv) For the last plasterboard layer, it is not acceptable to make a joint in front of the specified profile; The joint should also be placed in front of the structural joints;

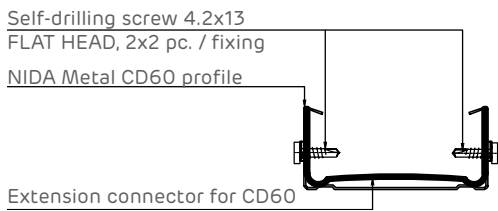
\* The size of the joint will also be determined by the size of the structural joint, but not less than 20 mm;

\*\* The board overlap will have a minimum size of (\* + 10 mm)

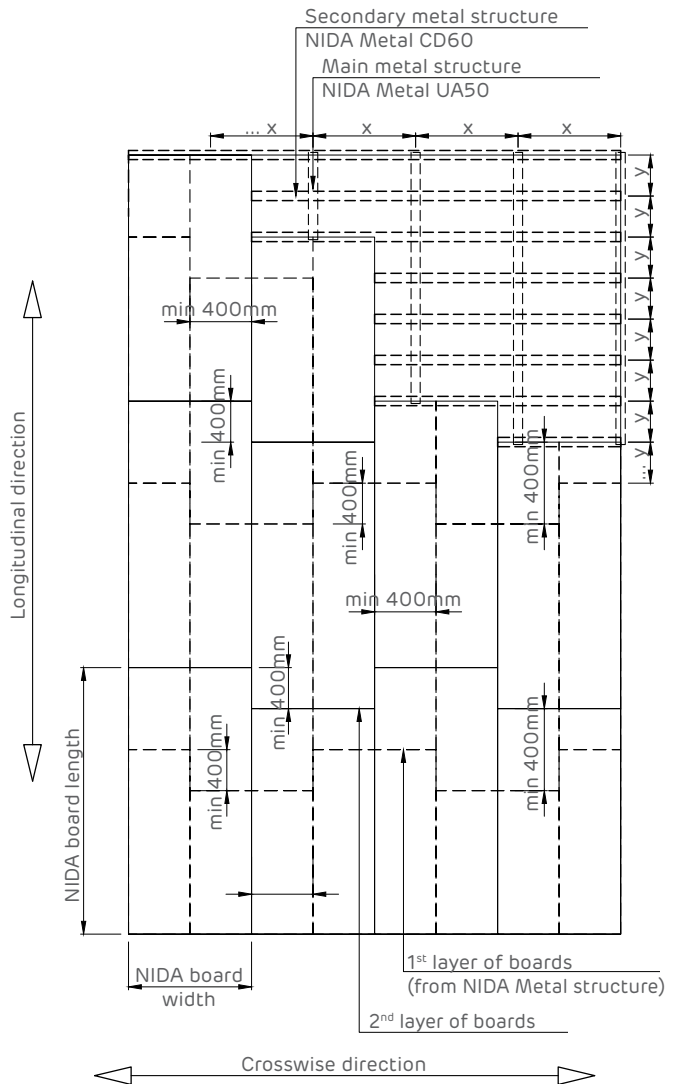
Detail of NIDA Metal CD60 profile extension



Section S1 - S1

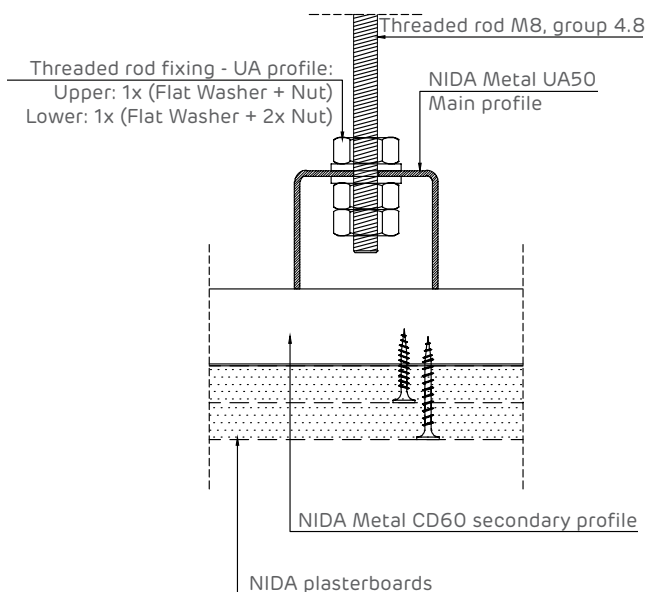


Board joint staggering System elevation

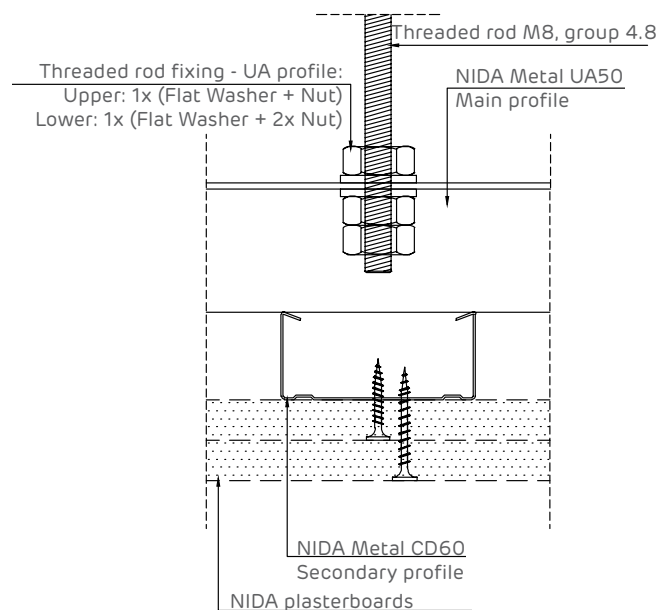


The boards should be mounted with the length perpendicular to the NIDA Metal CD60 profiles. The overlap of the boards lengthwise is minimum 400 mm.'

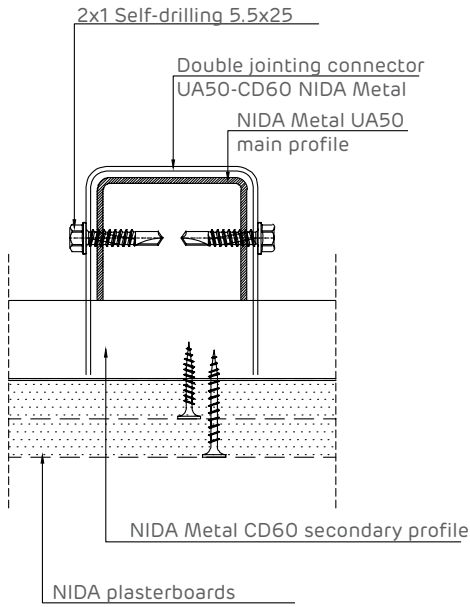
Threaded rod fixing detail Cross section



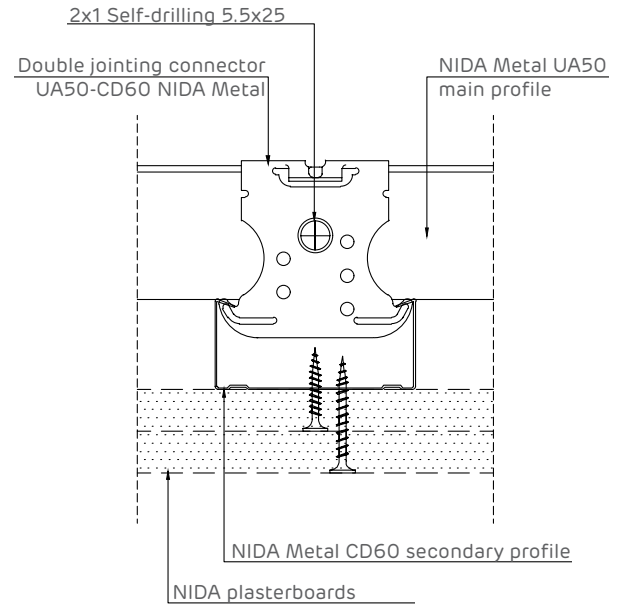
Threaded rod fixing detail Longitudinal section



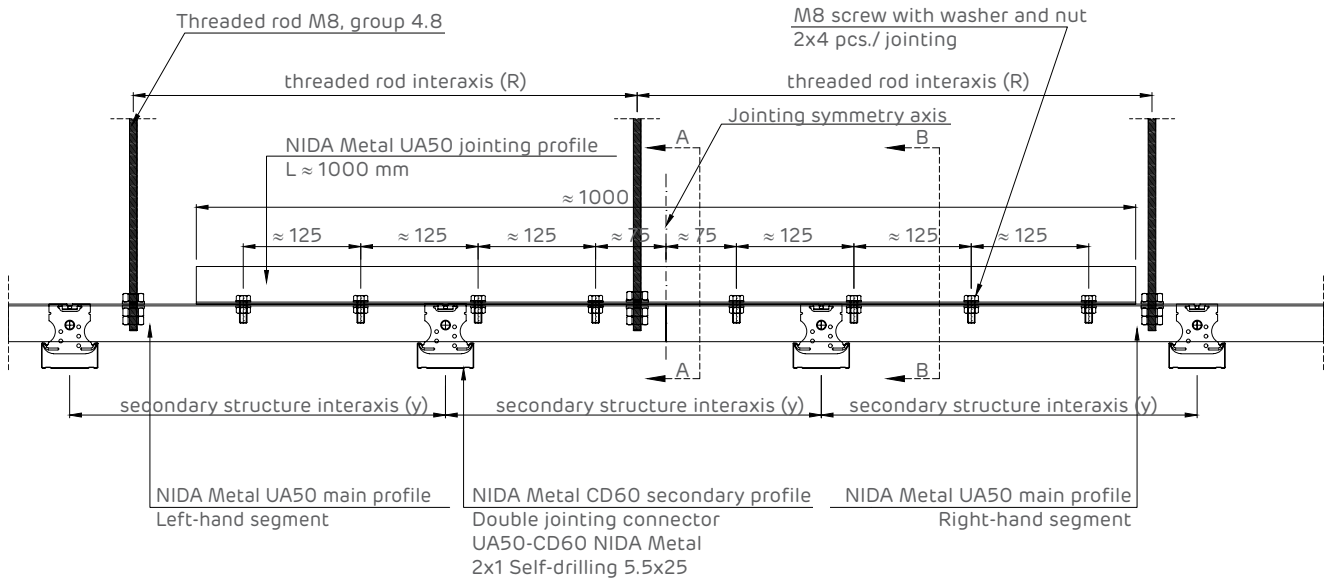
UA50 - CD60 fixing detail  
Cross section

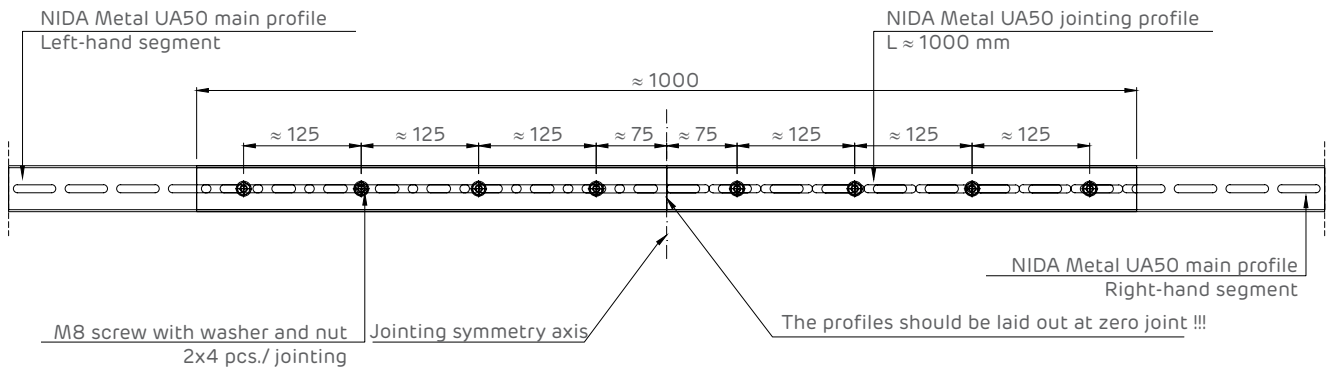


UA50 - CD60 fixing detail  
Longitudinal section

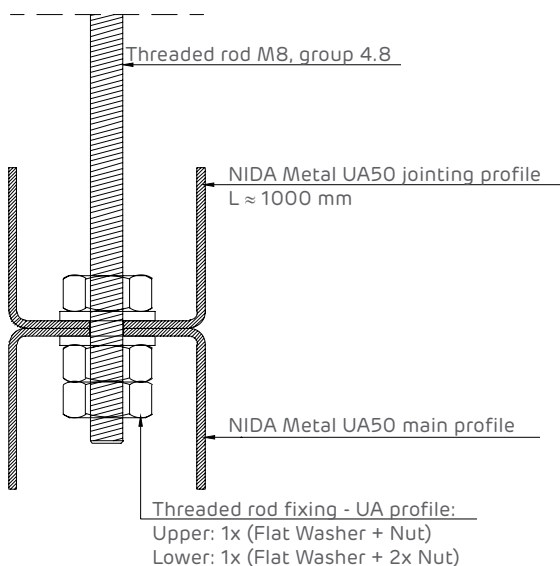


Detail of NIDA Metal UA50 profile extension  
Longitudinal and cross section

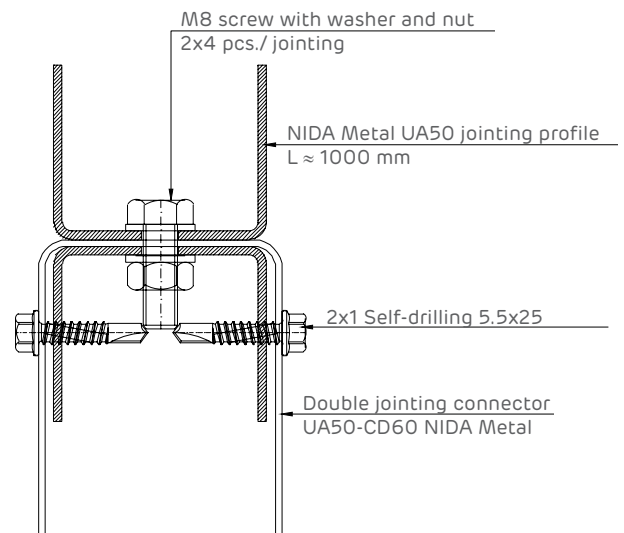




## Section A - A



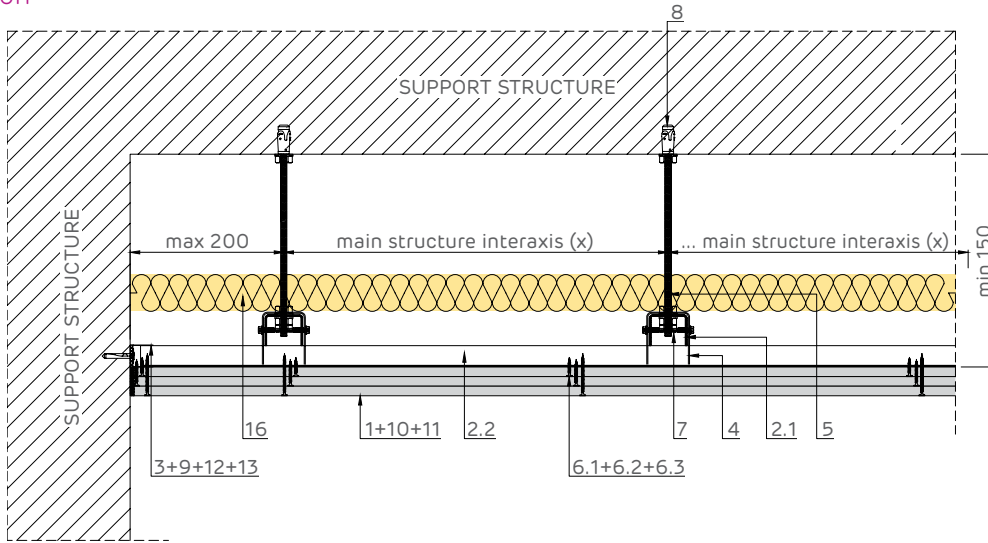
## Section B - B



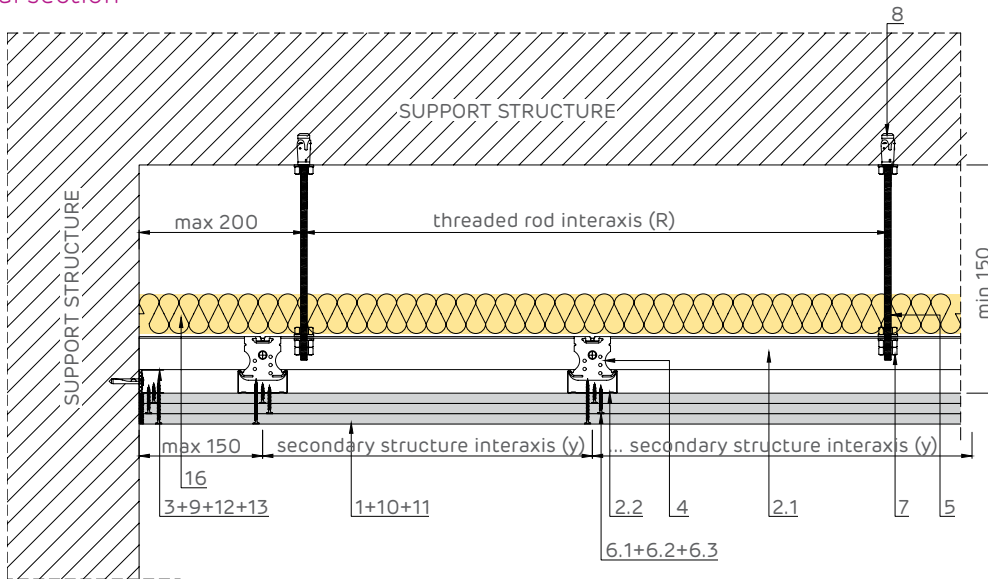
- 1 2 x Siniat plasterboard
- 2 1. NIDA Metal UA50 main profile  
2. NIDA Metal CD60 secondary profile
- 3 NIDA Metal UD30 runner profile
- 4 Double jointing connector UA50-CD60 NIDA Metal  
2x1 Self-drilling 5.5x25
- 5 Threaded rod M8, group 4.8
- 6 1. Self-tapping 212 x L1 @ 600 mm  
2. Self-tapping 212 x L2 @ 300 mm
- 7 Threaded rod fixing - UA profile:  
Upper: 1x (Flat Washer + Nut)  
Lower: 1x (Flat Washer + 2x Nut)
- 8 Flush anchor ( E.g. Hilti HKD M8 x 25 + Washer + Nut)
- 9 Mechanical fixing (\*1), laid out at 500 mm pitch
- 10 Jointing tape (\*2)
- 11 NIDA Profesional jointing plaster
- 12 Single-sided adhesive sealing tape
- 13 Joint treated with NIDA Boardfix
- 14 1. 2 x Siniat board strip  
2. 1 x Siniat board strip pre-mounted with 212 screw
- 15 Corner protection profile
- 16 Mineral wool (\*3)

# NIDA System P: NIDA System suspended ceiling, triple layer on UA50/CD60 double structure with threaded rod

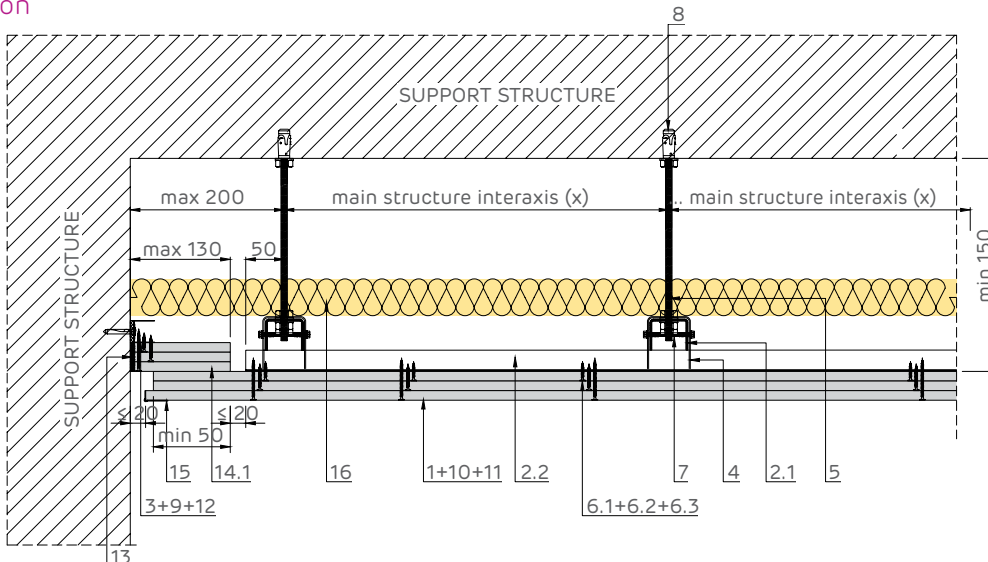
Rigid jointing with sturdy item  
Cross section



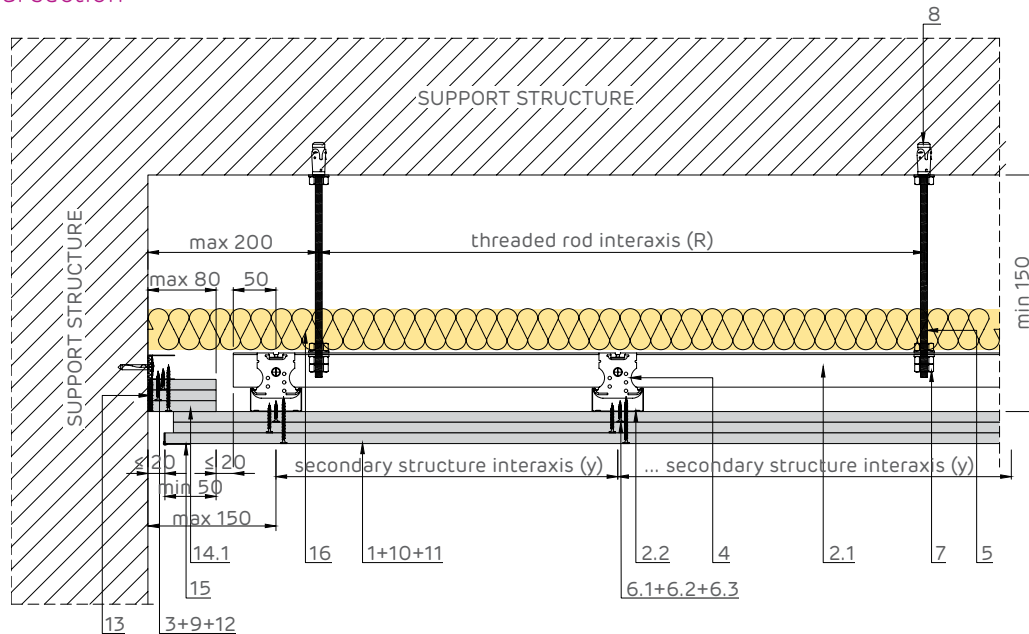
Rigid jointing with sturdy item  
Longitudinal section



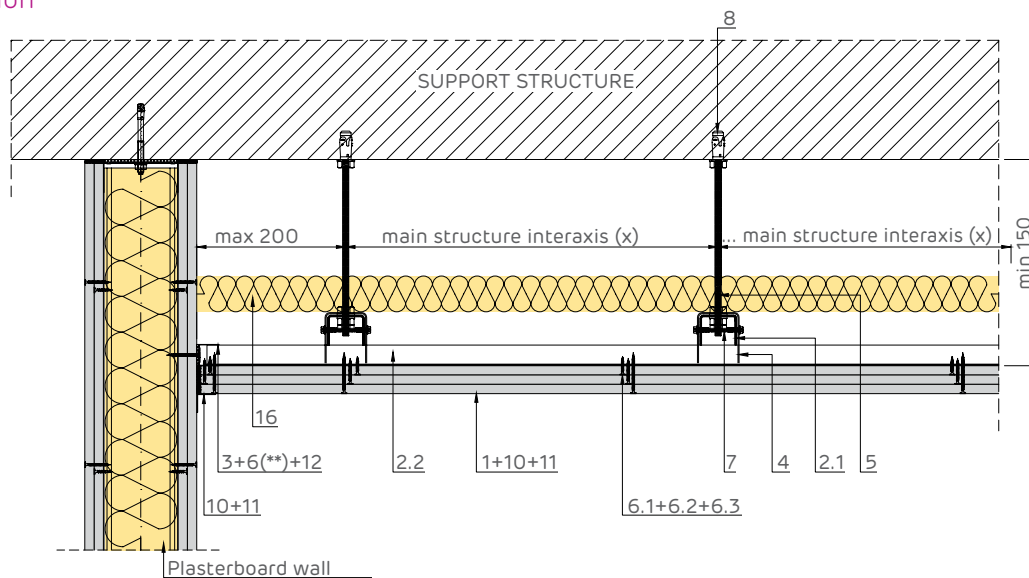
Sliding joint with sturdy items  
Cross section



## Sliding joint with sturdy item Longitudinal section



## Jointing with plasterboard wall Cross section



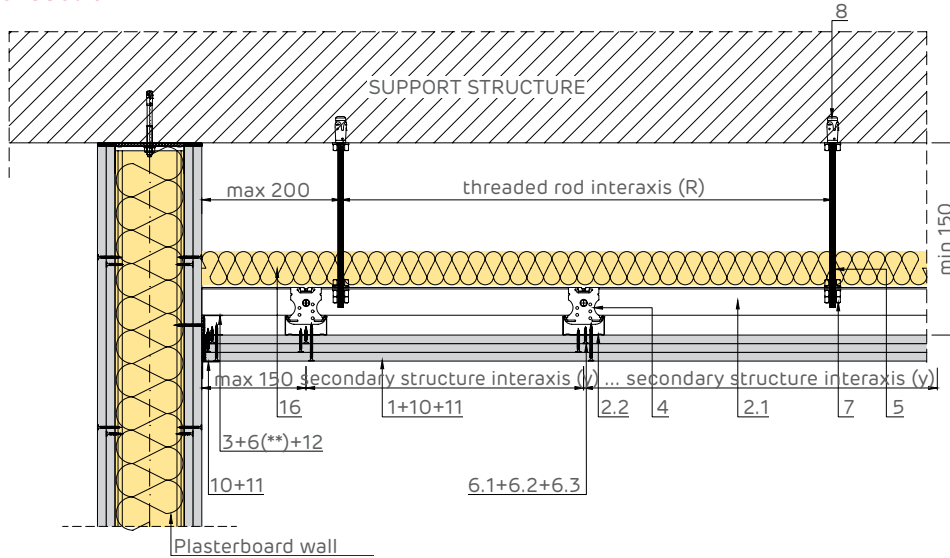
### NOTE:

(\*\*) The self-tapping screw will be fixed to the metal structure of the plasterboard wall, choosing the length according to the thickness of the wall package (thickness of the wall board layers).

- |   |   |
|---|---|
| ① 3 x Siniat plasterboard   | ⑧ Flush anchor ( E.g. Hilti HKD M8 x 25 + Washer + Nut)                             |
| ② 1. NIDA Metal UA50 main profile<br>2. NIDA Metal CD60 secondary profile                                     | ⑨ Mechanical fixing (*1), laid out at 500 mm pitch                                  |
| ③ NIDA Metal UD30 runner profile  | ⑩ Jointing tape (*2)  |
| ④ Double jointing connector<br>UA50-CD60 NIDA Metal<br>2x1 Self-drilling 5.5x25                               | ⑪ NIDA Profesional jointing plaster   |
| ⑤ Threaded rod M8, group 4.8  | ⑫ Single-sided adhesive sealing tape  |
| ⑥ 1. Self-tapping 212 x L1 @ 600 mm<br>2. Self-tapping 212 x L2 @ 600 mm<br>3. Self-tapping 212 x L3 @ 300 mm | ⑬ Joint treated with NIDA Boardfix  |
| ⑦ Threaded rod fixing - UA profile:<br>Upper: 1x (Flat Washer + Nut)<br>Lower: 1x (Flat Washer + 2x Nut)      | ⑭ 1. 3 x Siniat board strip<br>2. 1 x Siniat board strip pre-mounted with 212 screw |
|   | ⑮ Corner protection profile   |
|   | ⑯ Mineral wool (*3)   |



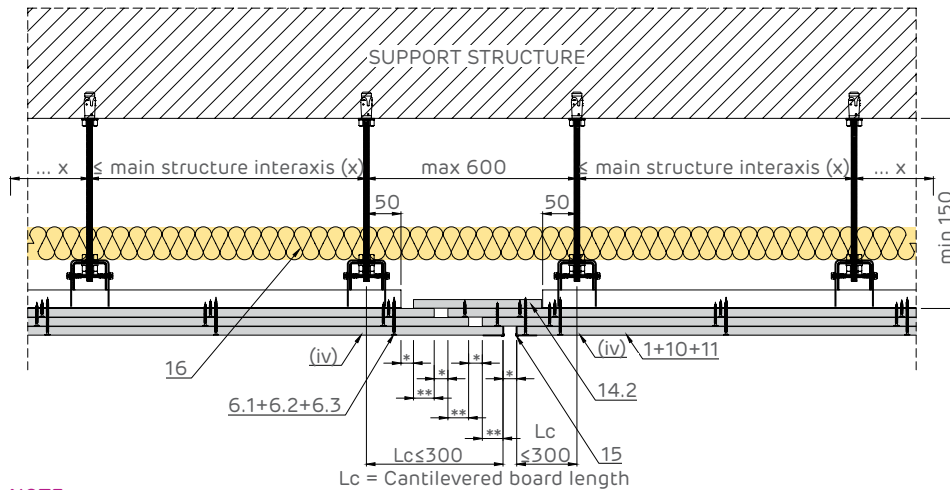
Jointing with plasterboard wall  
Longitudinal section



**NOTE:**

(\*\*) The self-tapping screw will be fixed to the metal structure of the plasterboard wall, choosing the length according to the thickness of the wall package (thickness of the wall board layers).

Expansion joint  
Cross section



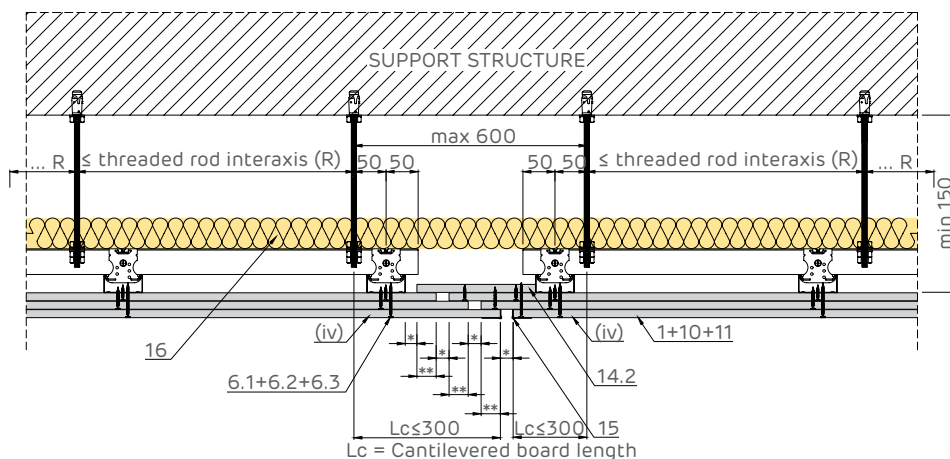
**NOTE:**

(iv) For the last plasterboard layer, it is not acceptable to make a joint in front of the specified profile; The joint should also be placed in front of the structural joints;

\* The size of the joint will also be determined by the size of the structural joint, but not less than 20 mm;

\*\* The board overlap will have a minimum size of (\* + 10 mm)

Expansion joint  
Longitudinal section



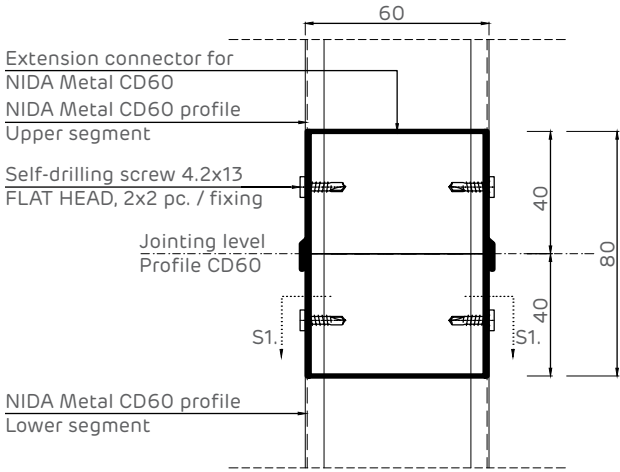
**NOTE:**

(iv) For the last plasterboard layer, it is not acceptable to make a joint in front of the specified profile; The joint should also be placed in front of the structural joints;

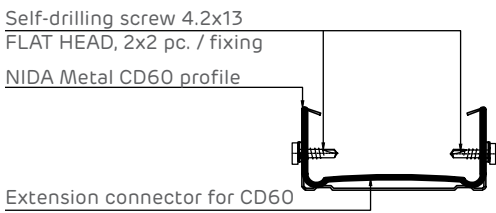
\* The size of the joint will also be determined by the size of the structural joint, but not less than 20 mm;

\*\* The board overlap will have a minimum size of (\* + 10 mm)

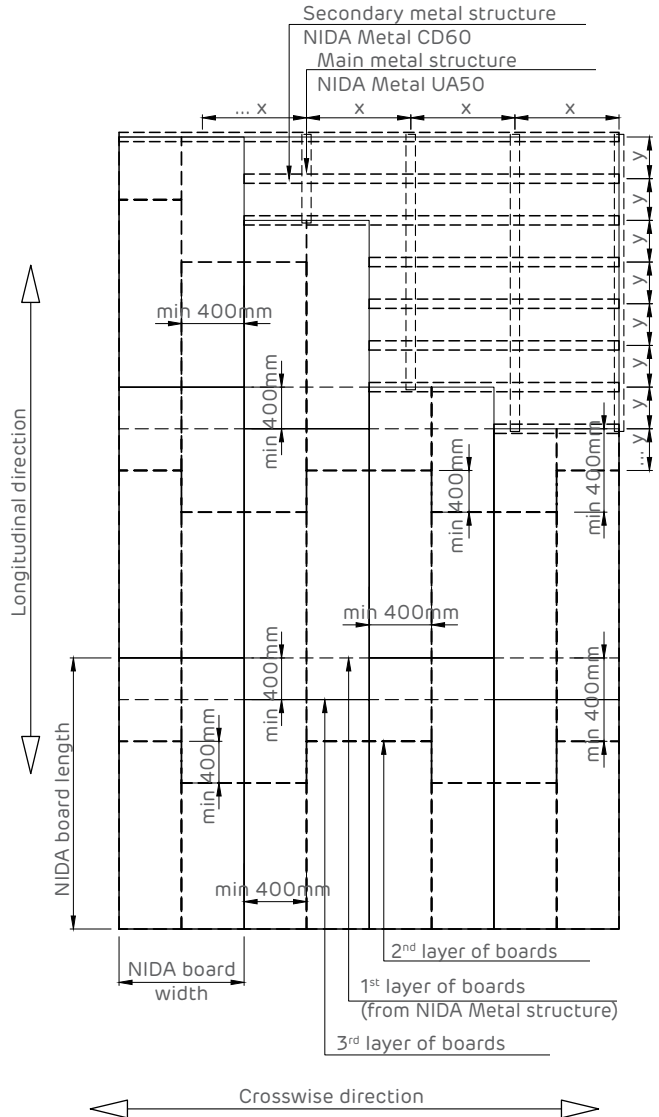
Detail of NIDA Metal CD60 profile extension



Section S1 - S1

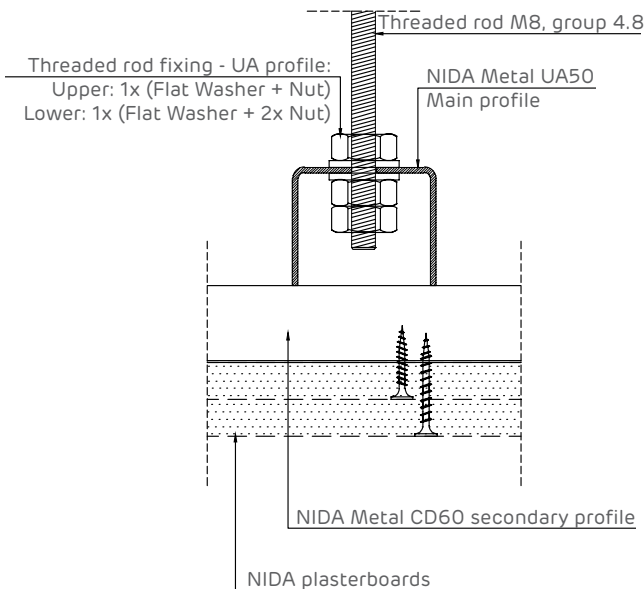


Board joint staggering  
System elevation

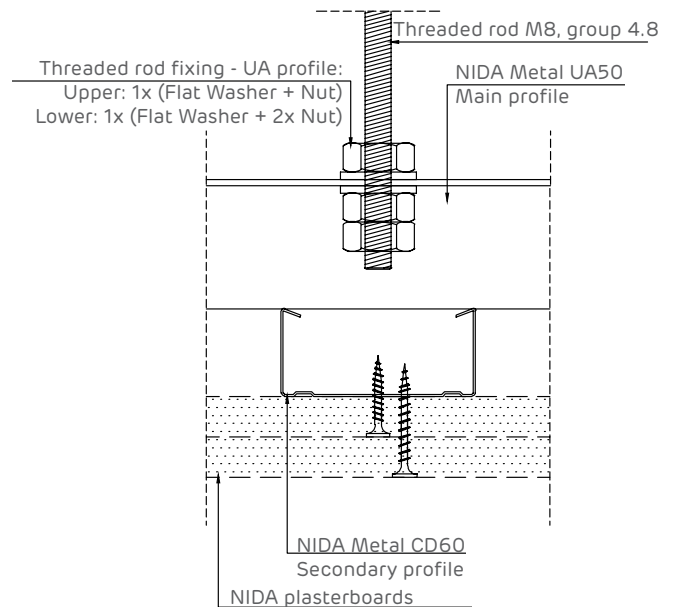


The boards should be mounted with the length perpendicular to the NIDA Metal CD60 profiles. The overlap of the boards lengthwise is minimum 400 mm.'

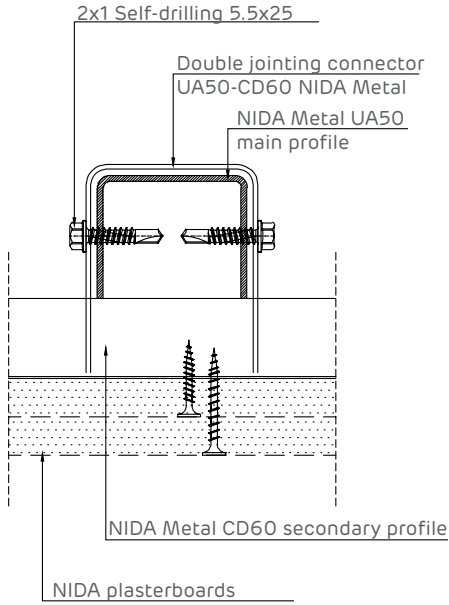
Threaded rod fixing detail  
Cross section



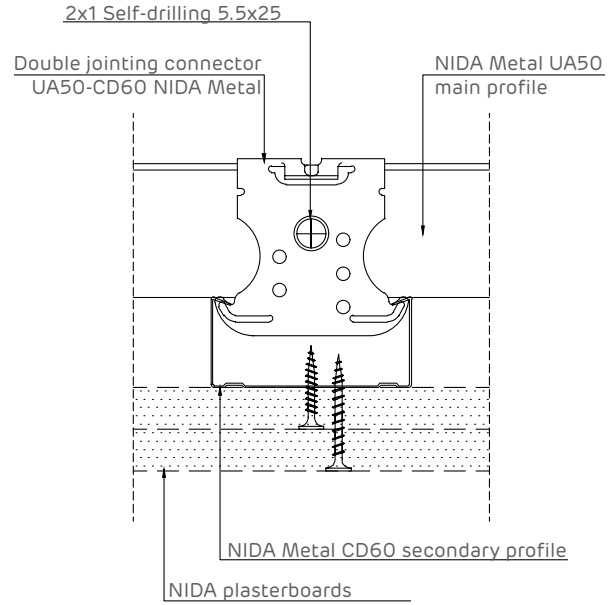
Threaded rod fixing detail  
Longitudinal section



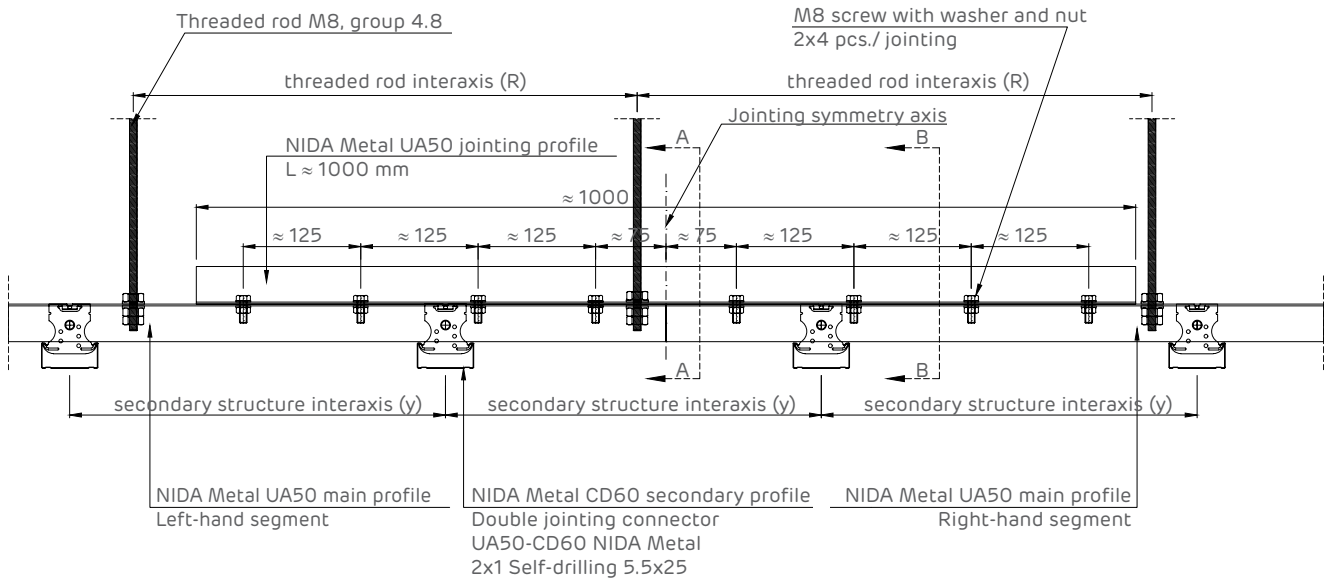
UA50 - CD60 fixing detail  
Cross section

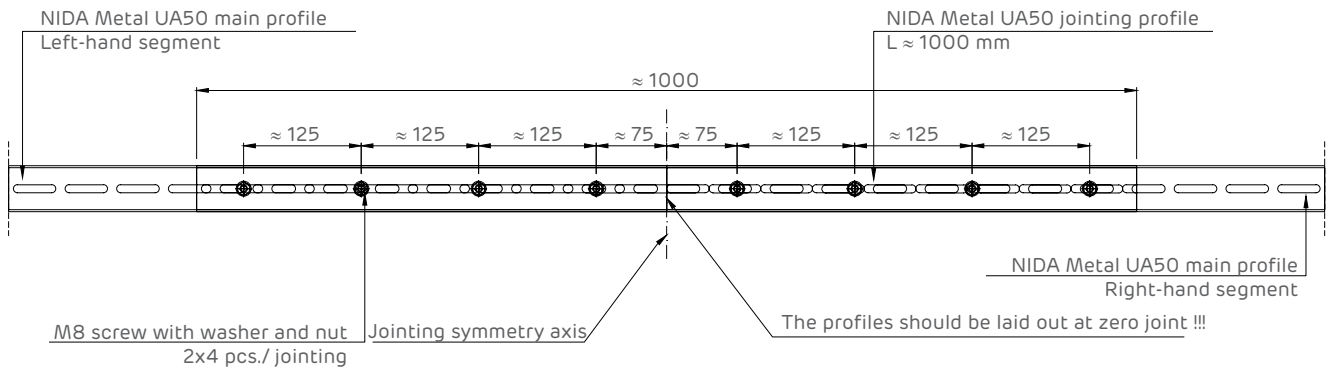


UA50 - CD60 fixing detail  
Longitudinal section

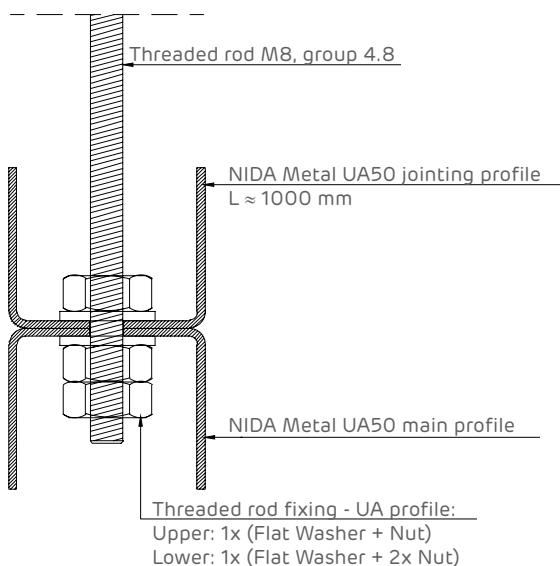


Detail of NIDA Metal UA50 profile extension  
Longitudinal and cross section

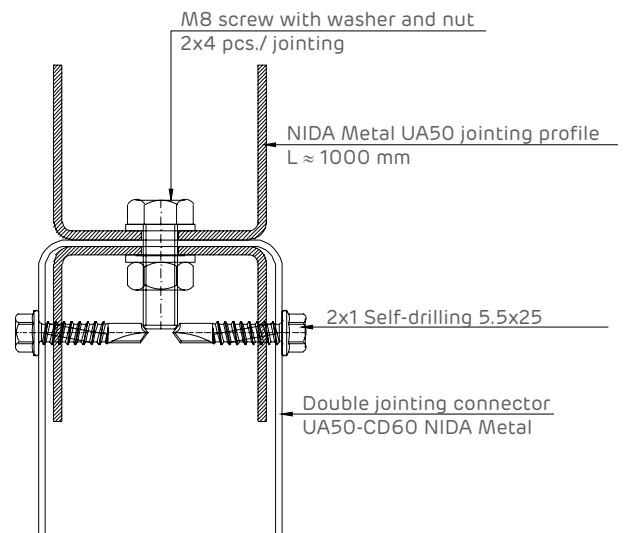




## Section A - A



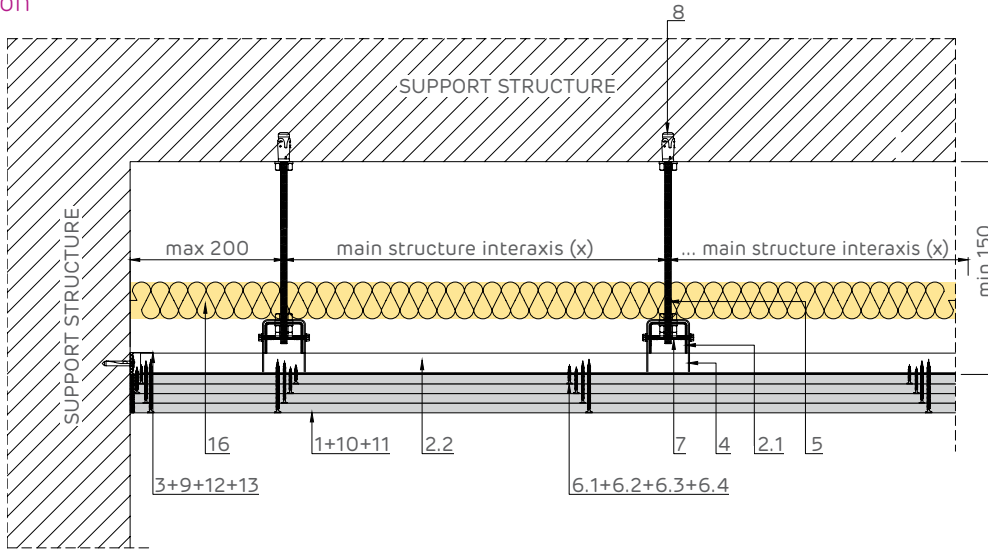
## Section B - B



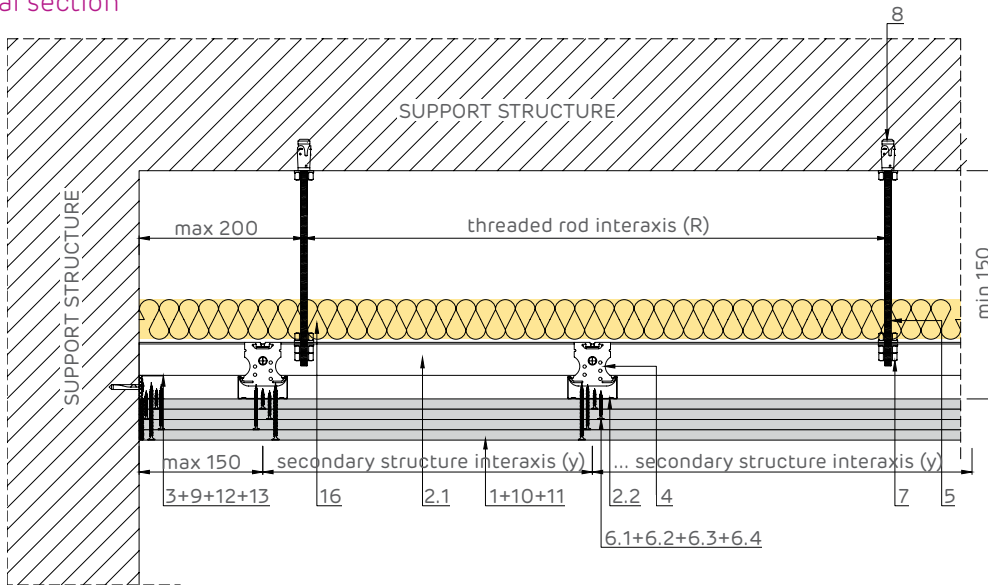
- 1 3 x Siniat plasterboard
- 2 1. NIDA Metal UA50 main profile  
2. NIDA Metal CD60 secondary profile
- 3 NIDA Metal UD30 runner profile
- 4 Double jointing connector  
UA50-CD60 NIDA Metal  
2x1 Self-drilling 5.5x25
- 5 Threaded rod M8, group 4.8
- 6 1. Self-tapping 212 x L1 @ 600 mm  
2. Self-tapping 212 x L2 @ 600 mm  
3. Self-tapping 212 x L3 @ 300 mm
- 7 Threaded rod fixing - UA profile:  
Upper: 1x (Flat Washer + Nut)  
Lower: 1x (Flat Washer + 2x Nut)
- 8 Flush anchor ( E.g. Hilti HKD M8 x 25 + Washer + Nut)
- 9 Mechanical fixing (\*1), laid out at 500 mm pitch
- 10 Jointing tape (\*2)
- 11 NIDA Profesional jointing plaster
- 12 Single-sided adhesive sealing tape
- 13 Joint treated with NIDA Boardfix
- 14 1. 3 x Siniat board strip  
2. 1 x Siniat board strip pre-mounted with 212 screw
- 15 Corner protection profile
- 16 Mineral wool (\*3)

# NIDA System P: NIDA System suspended ceiling, fourfold layer on UA50/CD60 double structure with threaded rod

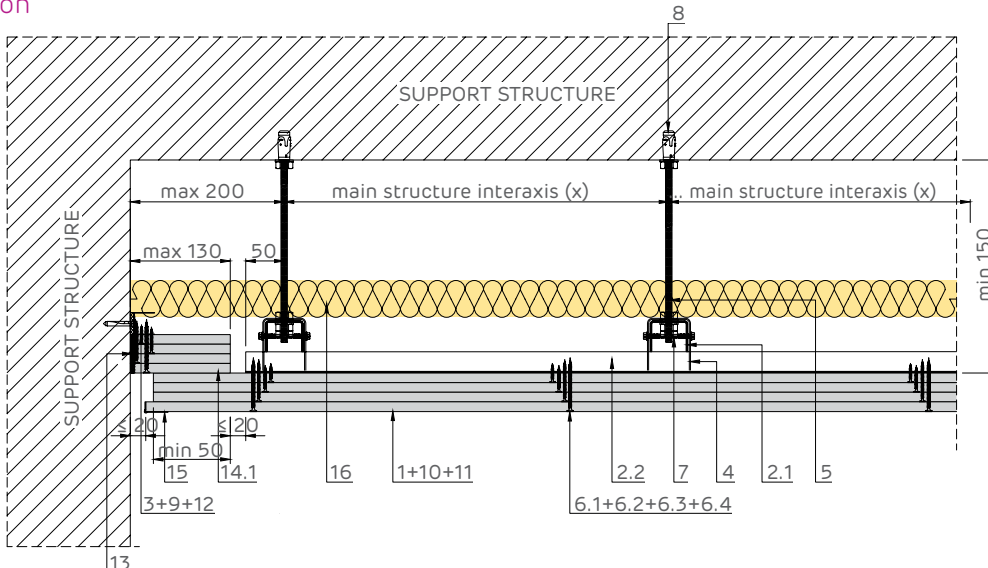
Rigid jointing with sturdy item  
Cross section



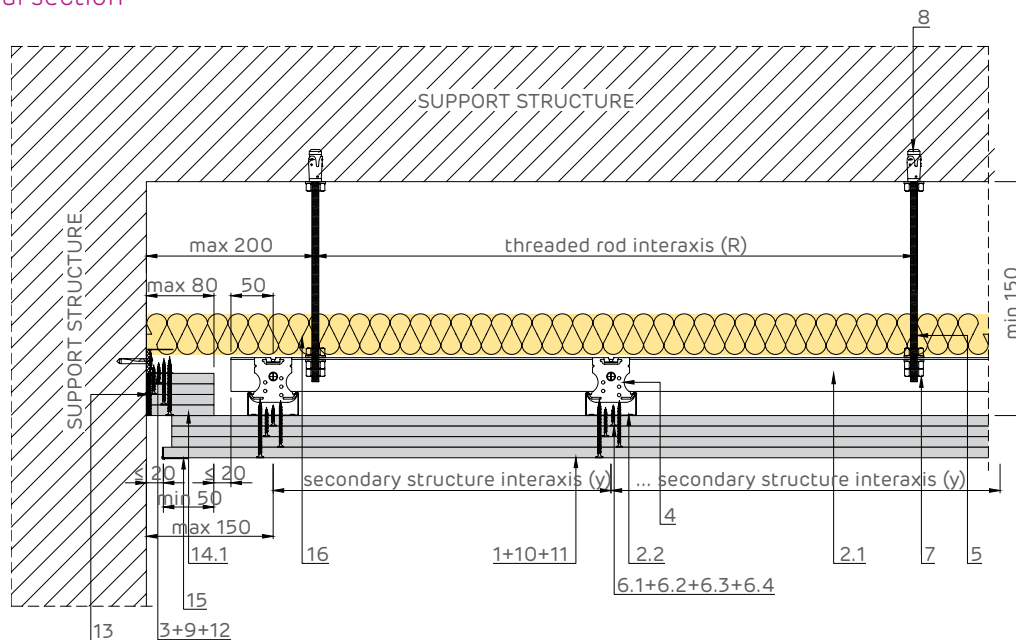
Rigid jointing with sturdy item  
Longitudinal section



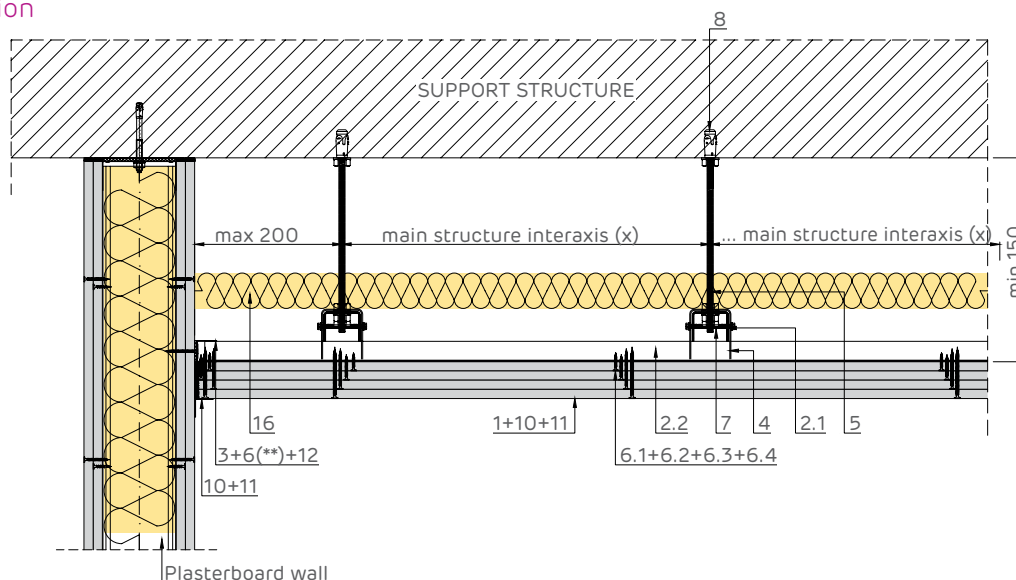
Sliding joint with sturdy items  
Cross section



## Sliding joint with sturdy item Longitudinal section



## Joining with plasterboard wall Cross section

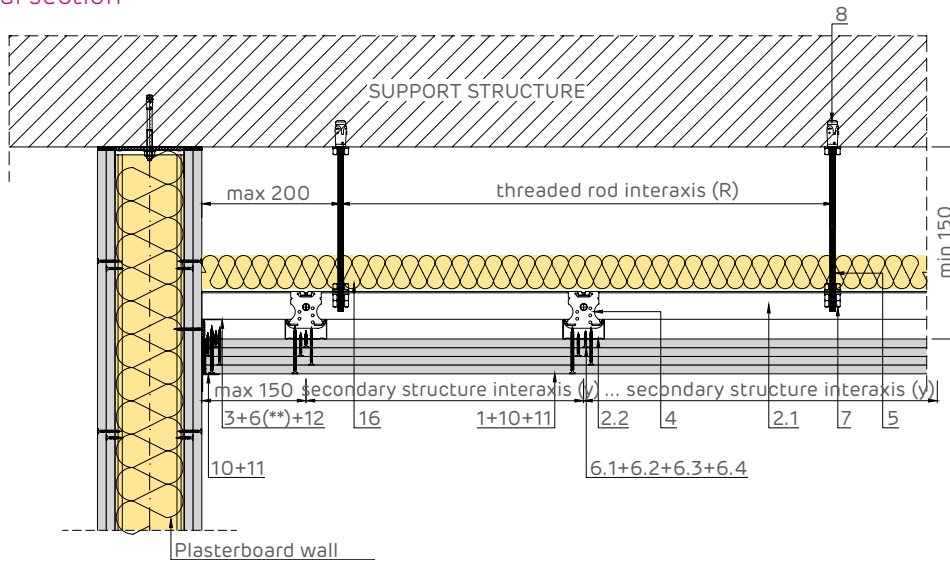


### NOTE:

(\*\*) The self-tapping screw will be fixed to the metal structure of the plasterboard wall, choosing the length according to the thickness of the wall package (thickness of the wall board layers).

- |  |  |
|--|--|
| ① 4 x Siniat plasterboard  | ⑦ Threaded rod fixing - UA profile:<br>Upper: 1x (Flat Washer + Nut)<br>Lower: 1x (Flat Washer + 2x Nut) |
| ② 1. NIDA Metal UA50 main profile<br>2. NIDA Metal CD60 secondary profile  | ⑧ Flush anchor ( E.g. Hilti HKD M8 x 25 + Washer + Nut)  |
| ③ NIDA Metal UD30 runner profile   | ⑨ Mechanical fixing (*1), laid out at 500 mm pitch   |
| ④ Double jointing connector<br>UA50-CD60 NIDA Metal<br>2x1 Self-drilling 5.5x25  | ⑩ Jointing tape (*2)   |
| ⑤ Threaded rod M8, group 4.8   | ⑪ NIDA Profesional jointing plaster  |
| ⑥ 1. Self-tapping 212 x L1 @ 600 mm<br>2. Self-tapping 212 x L2 @ 600 mm<br>3. Self-tapping 212 x L3 @ 600 mm<br>4. Self-tapping 212 x L4 @ 300 mm | ⑫ Single-sided adhesive sealing tape   |
|  | ⑬ Joint treated with NIDA Boardfix   |
|  | ⑭ 1. 4 x Siniat board strip<br>2. 1 x Siniat board strip pre-mounted with 212 screw                      |
|  | ⑮ Corner protection profile  |
|  | ⑯ Mineral wool (*3)  |

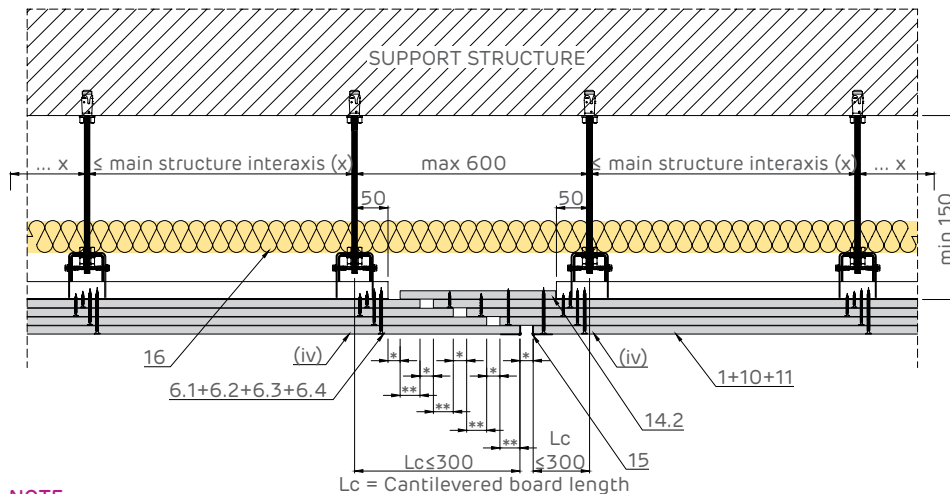
### Joining with plasterboard wall Longitudinal section



#### NOTE:

(\*\*) The self-tapping screw will be fixed to the metal structure of the plasterboard wall, choosing the length according to the thickness of the wall package (thickness of the wall board layers).

### Expansion joint Cross section



#### NOTE:

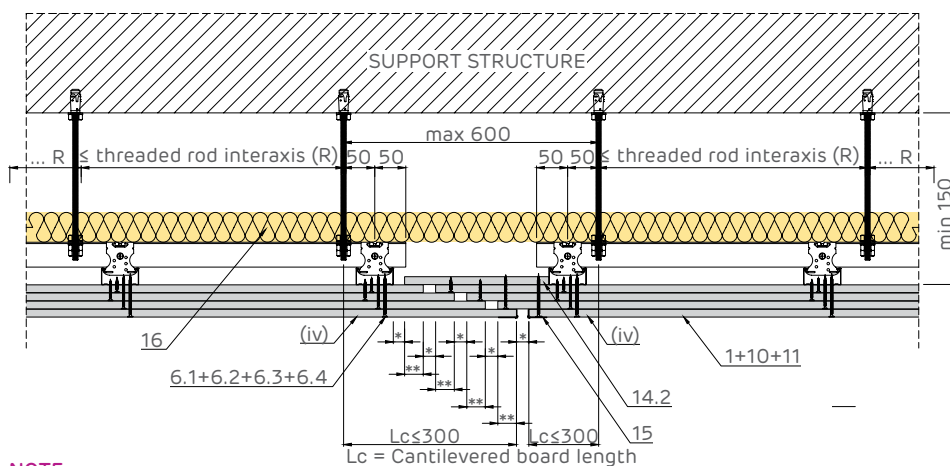
(iv) For the last plasterboard layer, it is not acceptable to make a joint in front of the specified profile;

The joint should also be placed in front of the structural joints;

\* The size of the joint will also be determined by the size of the structural joint, but not less than 20 mm;

\*\* The board overlap will have a minimum size of (\* + 10 mm)

### Expansion joint Longitudinal section



#### NOTE:

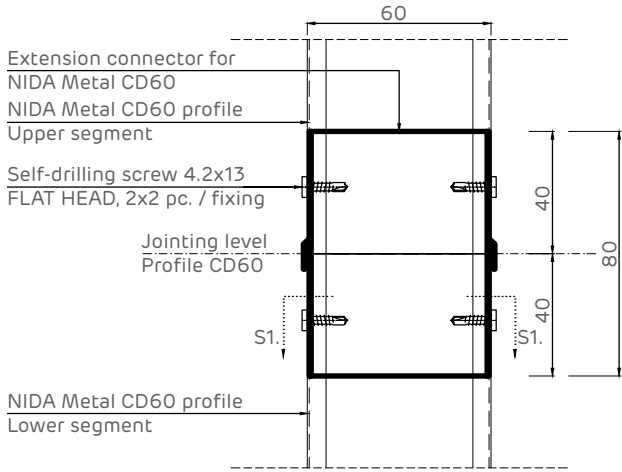
(iv) For the last plasterboard layer, it is not acceptable to make a joint in front of the specified profile;

The joint should also be placed in front of the structural joints;

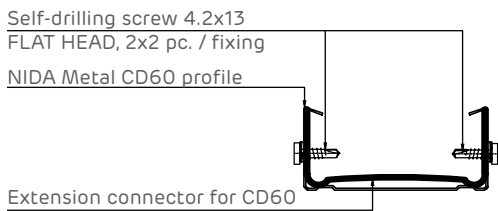
\* The size of the joint will also be determined by the size of the structural joint, but not less than 20 mm;

\*\* The board overlap will have a minimum size of (\* + 10 mm)

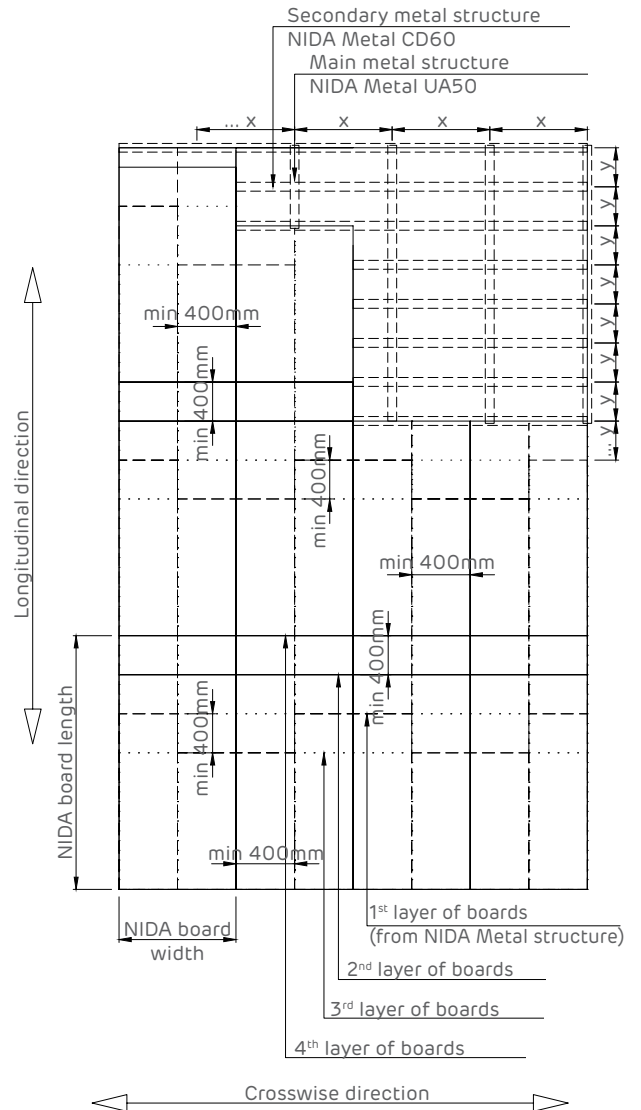
### Detail of NIDA Metal CD60 profile extension



### Section S1 - S1

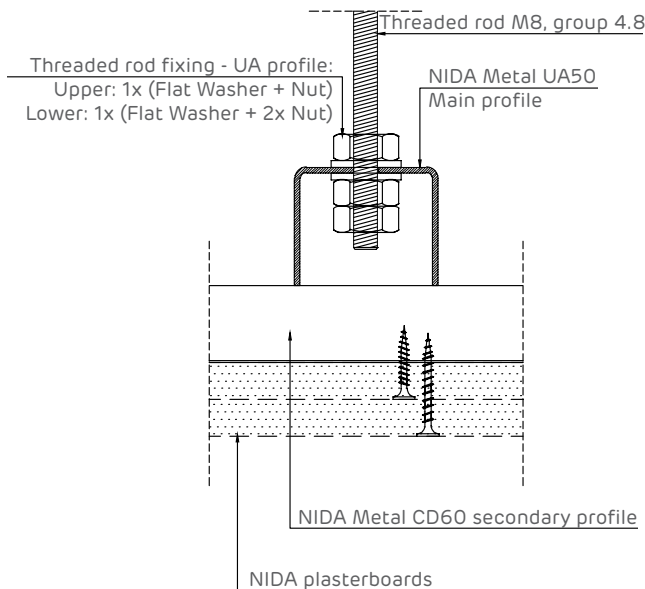


### Board joint staggering System elevation

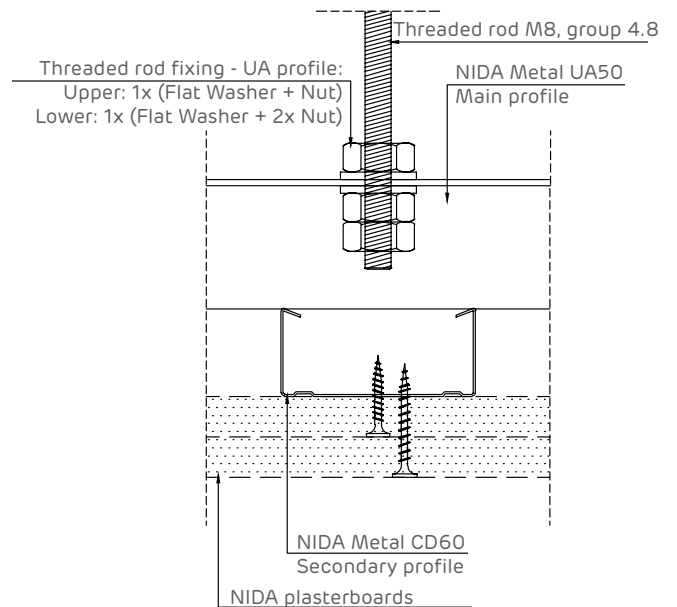


The boards should be mounted with the length perpendicular to the NIDA Metal CD60 profiles. The overlap of the boards lengthwise is minimum 400 mm.'

### Threaded rod fixing detail Cross section

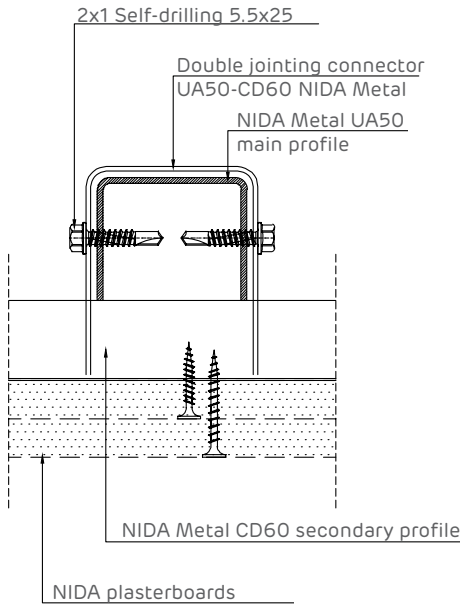


### Threaded rod fixing detail Longitudinal section

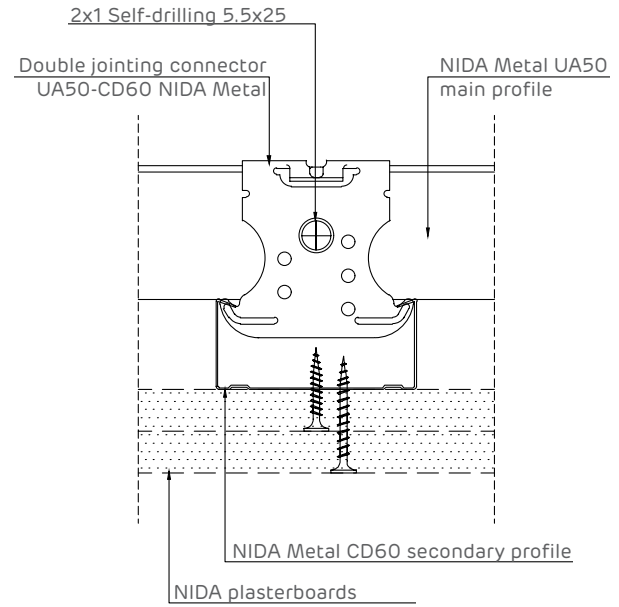




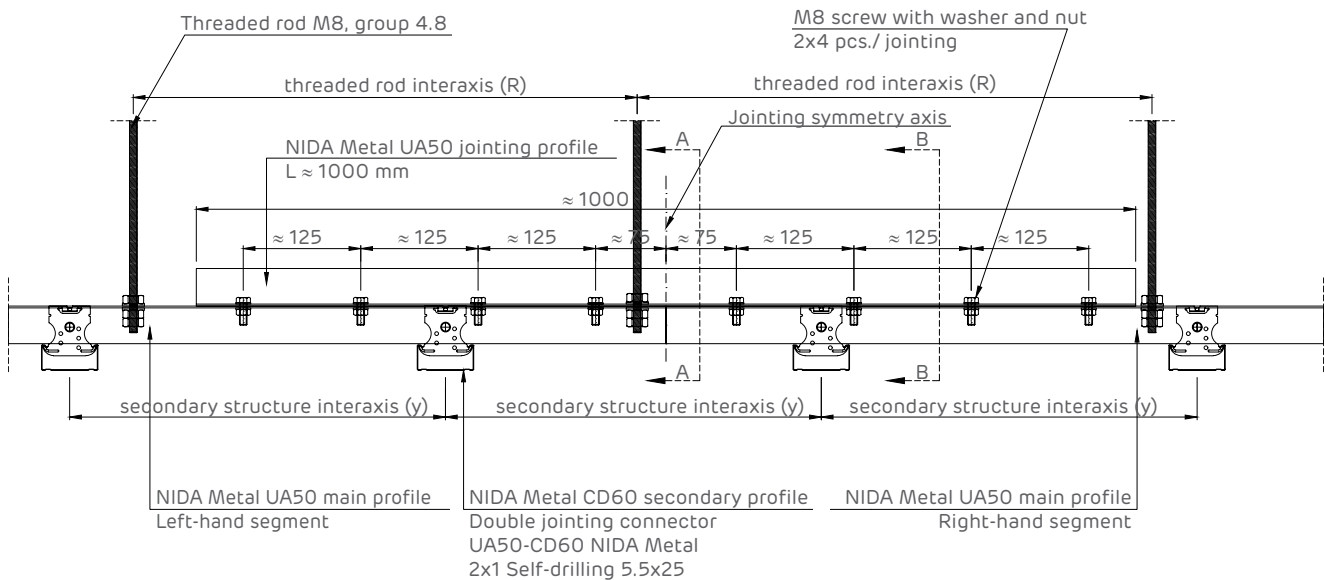
UA50 - CD60 fixing detail  
Cross section

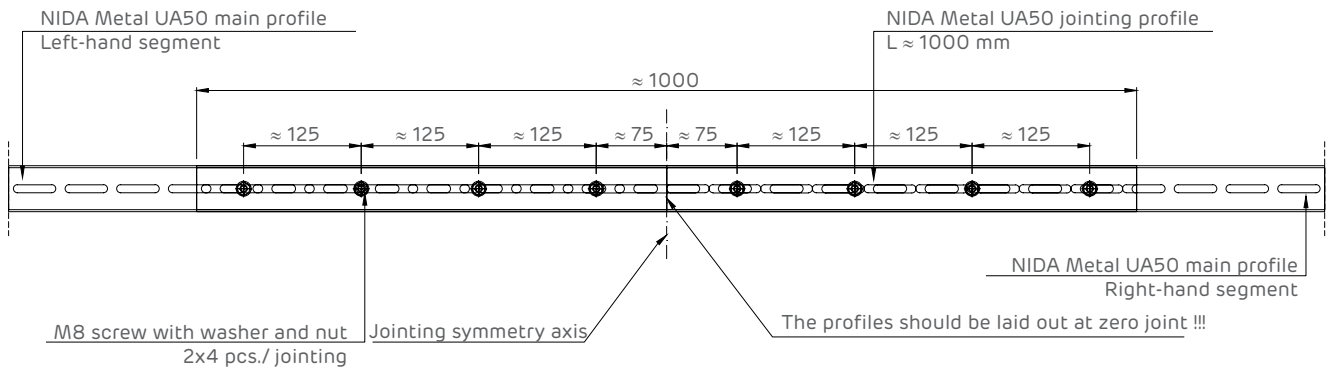


UA50 - CD60 fixing detail  
Longitudinal section

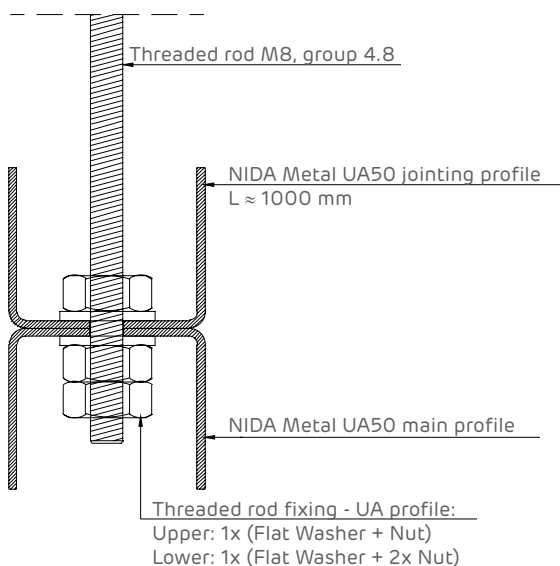


Detail of NIDA Metal UA50 profile extension  
Longitudinal and cross section

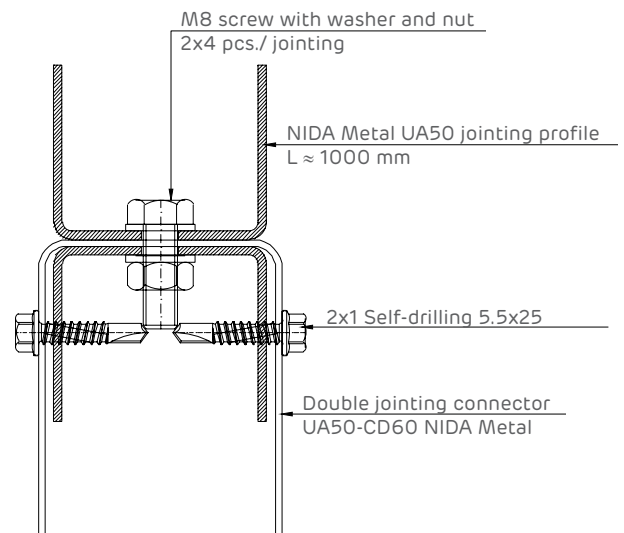




## Section A - A



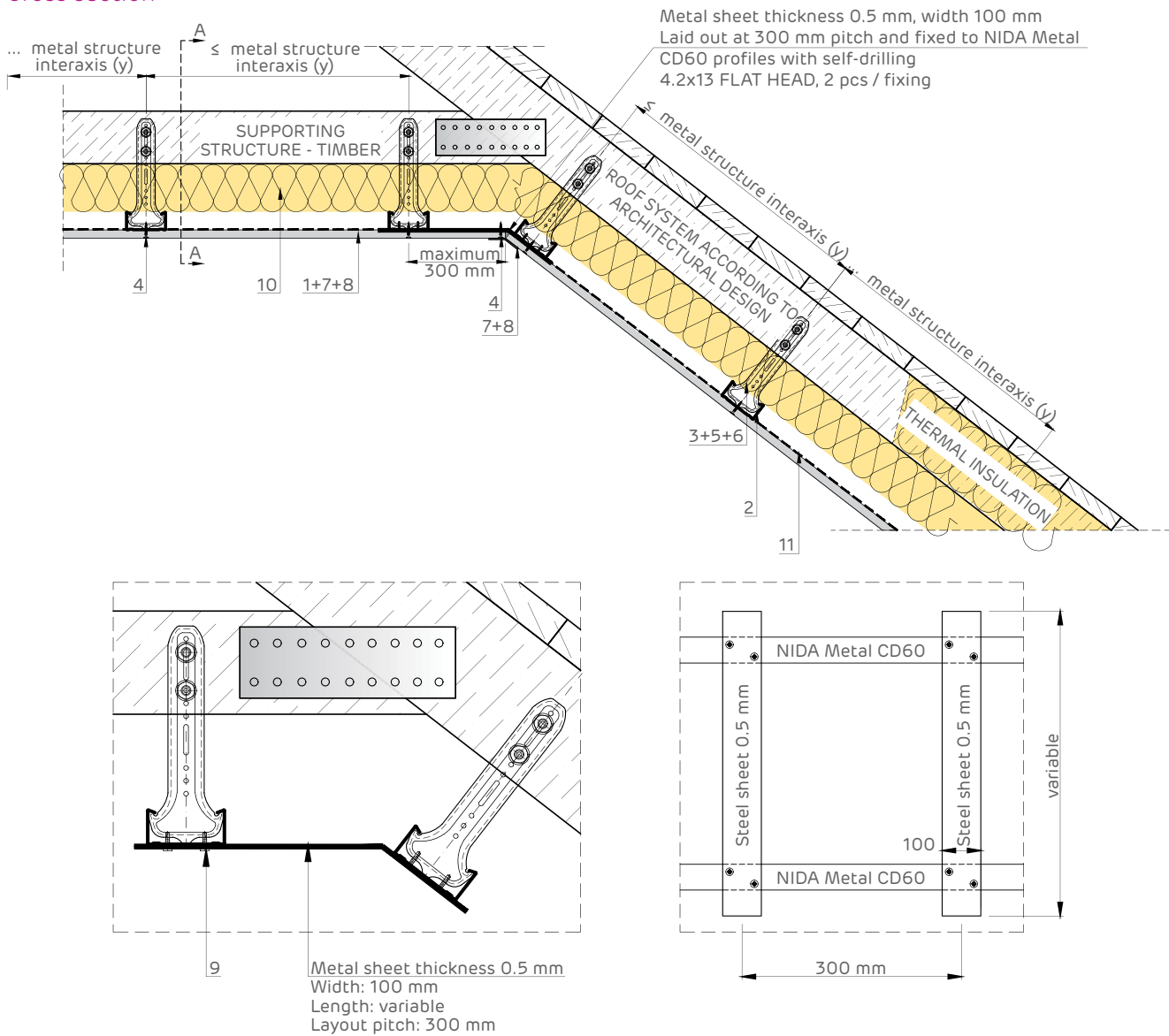
## Section B - B



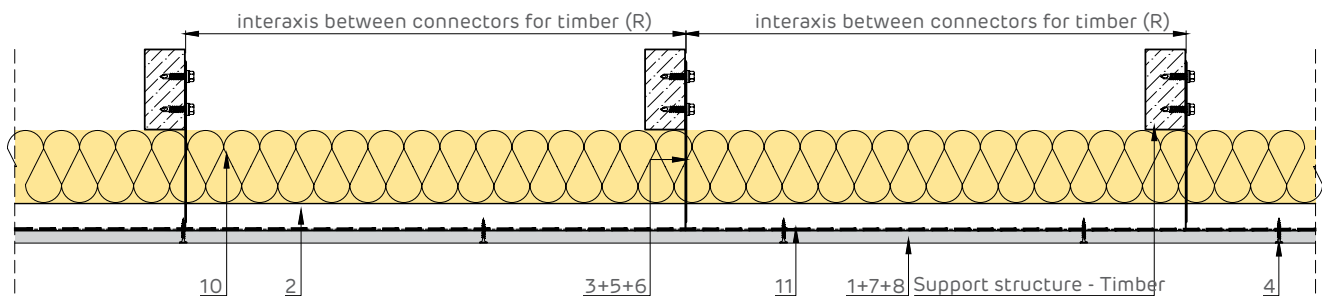
- 1 4 x Siniat plasterboard
- 2 1. NIDA Metal UA50 main profile  
2. NIDA Metal CD60 secondary profile
- 3 NIDA Metal UD30 runner profile
- 4 Double jointing connector  
UA50-CD60 NIDA Metal  
2x1 Self-drilling 5.5x25
- 5 Threaded rod M8, group 4.8
- 6 1. Self-tapping 212 x L1 @ 600 mm  
2. Self-tapping 212 x L2 @ 600 mm  
3. Self-tapping 212 x L3 @ 600 mm  
4. Self-tapping 212 x L4 @ 300 mm
- 7 Threaded rod fixing - UA profile:  
Upper: 1x (Flat Washer + Nut)  
Lower: 1x (Flat Washer + 2x Nut)
- 8 Flush anchor ( E.g. Hilti HKD M8 x 25 + Washer + Nut)
- 9 Mechanical fixing (\*1), laid out at 500 mm pitch
- 10 Jointing tape (\*2)
- 11 NIDA Profesional jointing plaster
- 12 Single-sided adhesive sealing tape
- 13 Joint treated with NIDA Boardfix
- 14 1. 4 x Siniat board strip  
2. 1 x Siniat board strip pre-mounted with 212 screw
- 15 Corner protection profile
- 16 Mineral wool (\*3)

## NIDA System P: NIDA System suspended ceiling, single layer on single structure with connector for timber

Closing of the timber structure roof  
Cross section



Closing of the timber structure roof  
Section A - A



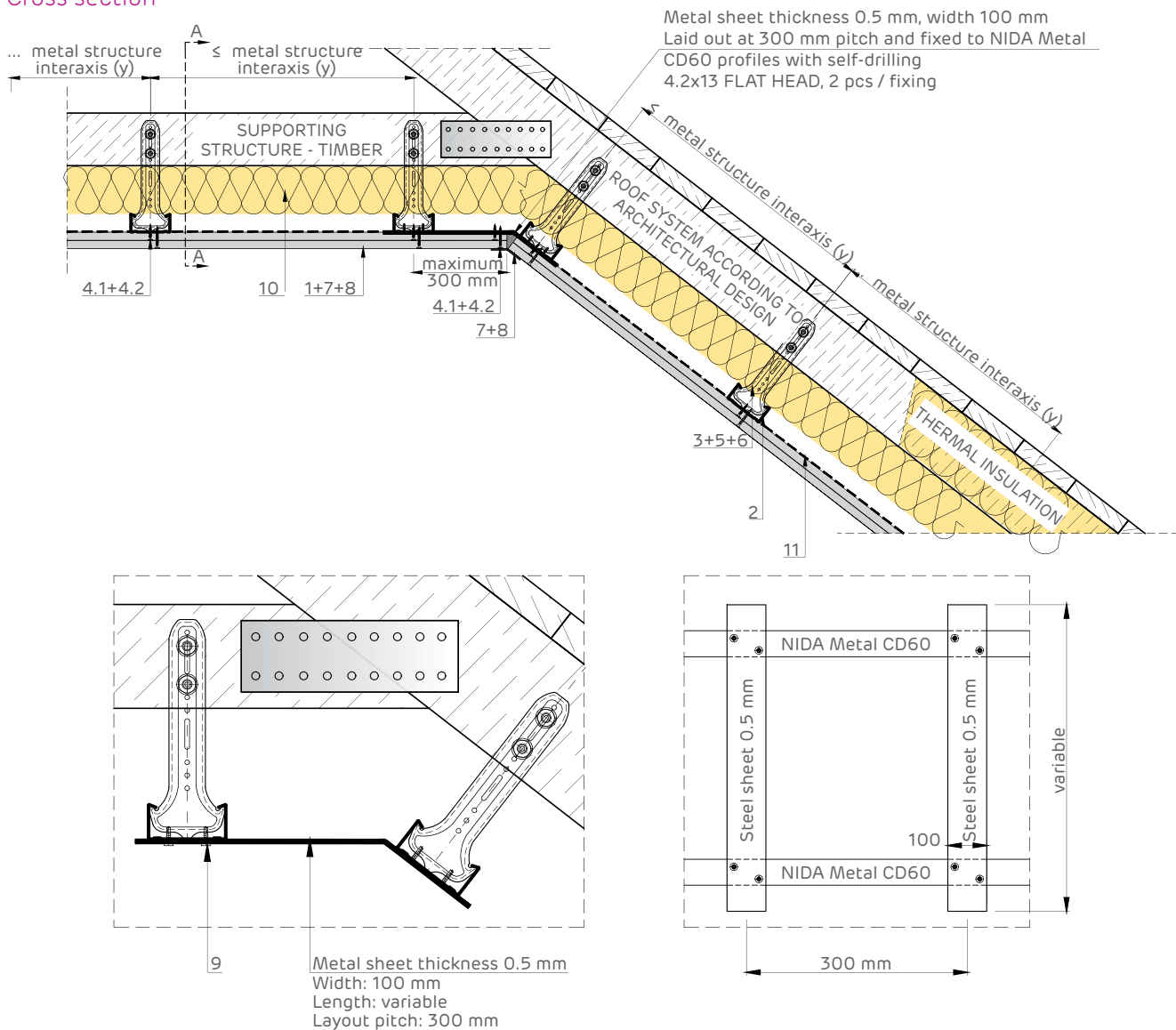
- |                                    |   |
|------------------------------------|---|
| ① 1 x Siniat plasterboard          | ⑥ Screw for timber 5.5x25 2 pcs/fastening         |
| ② NIDA Metal CD60 profile          | ⑦ Jointing tape (*2)                              |
| ③ NIDA System connector for timber | ⑧ NIDA Profesional jointing plaster               |
| ④ Self-tapping 212 x L1 @ 300 mm   | ⑨ Self-drilling 4.2x13 FLAT HEAD 2 pcs./fastening |
| ⑤ Mechanical fixing (*1)           | ⑩ Mineral wool (*3)                               |
|                                    | ⑪ Vapour barrier                                  |

## NIDA System P:

### NIDA System suspended ceiling, double layer on single structure with connector for timber

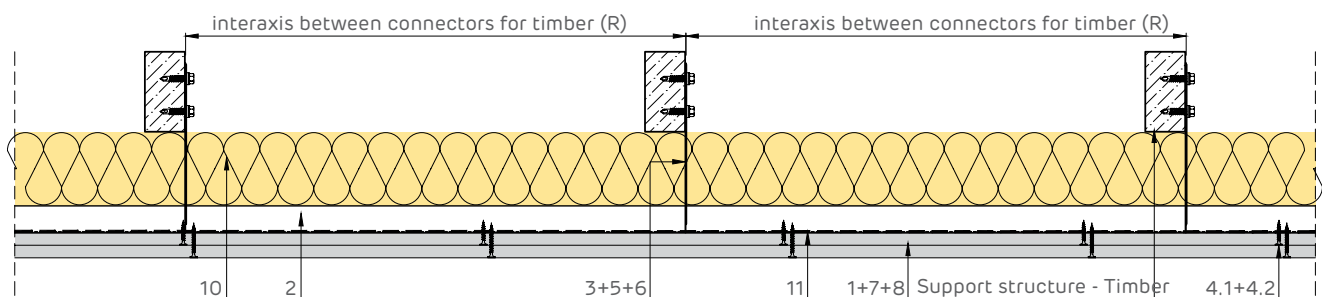
#### Closing of the timber structure roof

#### Cross section



#### Closing of the timber structure roof

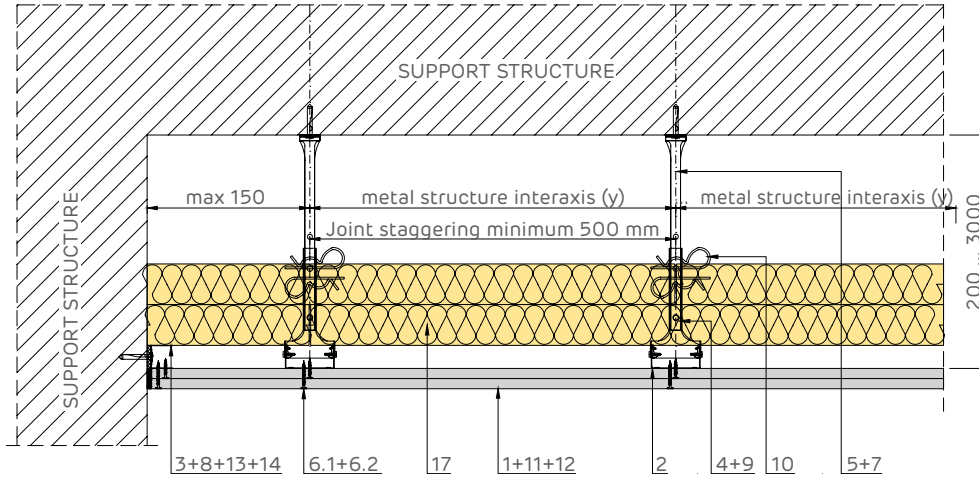
#### Section A - A



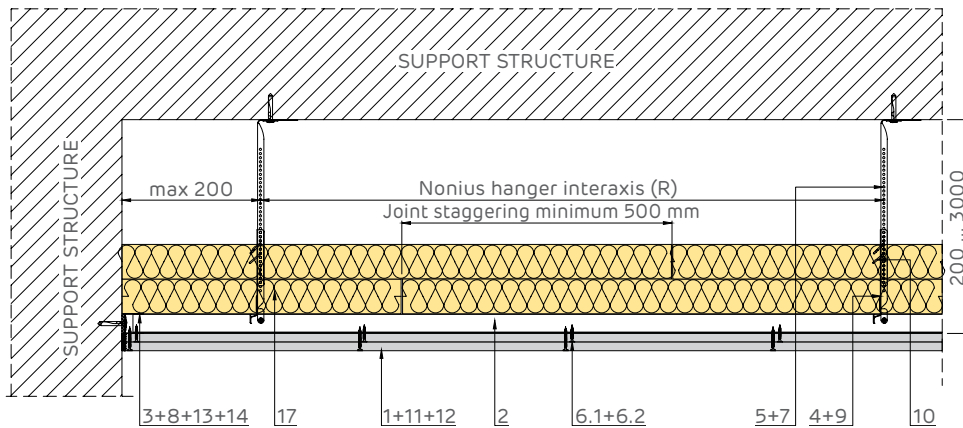
- |  |   |
|--|---|
| ① 2 x Siniat plasterboard  | ⑥ Screw for timber 5.5x25 2 pcs/fastening         |
| ② NIDA Metal CD60 profile  | ⑦ Jointing tape (*2)                              |
| ③ NIDA System connector for timber                                       | ⑧ NIDA Profesional jointing plaster               |
| ④ 1. Self-tapping 212 x L1 @ 600 mm<br>2. Self-tapping 212 x L2 @ 300 mm | ⑨ Self-drilling 4.2x13 FLAT HEAD 2 pcs./fastening |
| ⑤ Mechanical fixing (*1)   | ⑩ Mineral wool (*3)                               |
|  | ⑪ Vapour barrier                                  |

# NIDA System P: NIDA System suspended ceiling, double layer on single structure with Nonius hanger, fire resistant from top to bottom

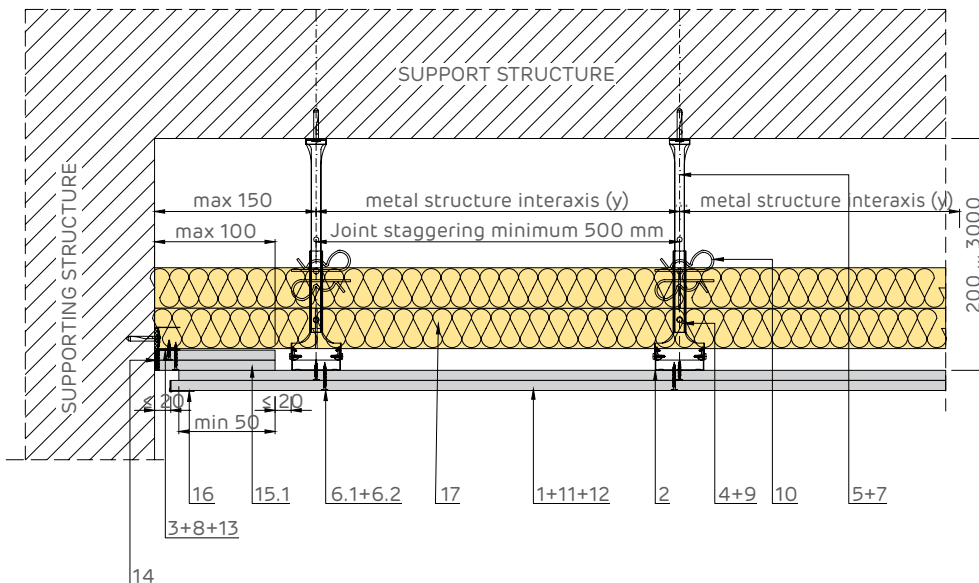
Rigid jointing with sturdy item  
Cross section



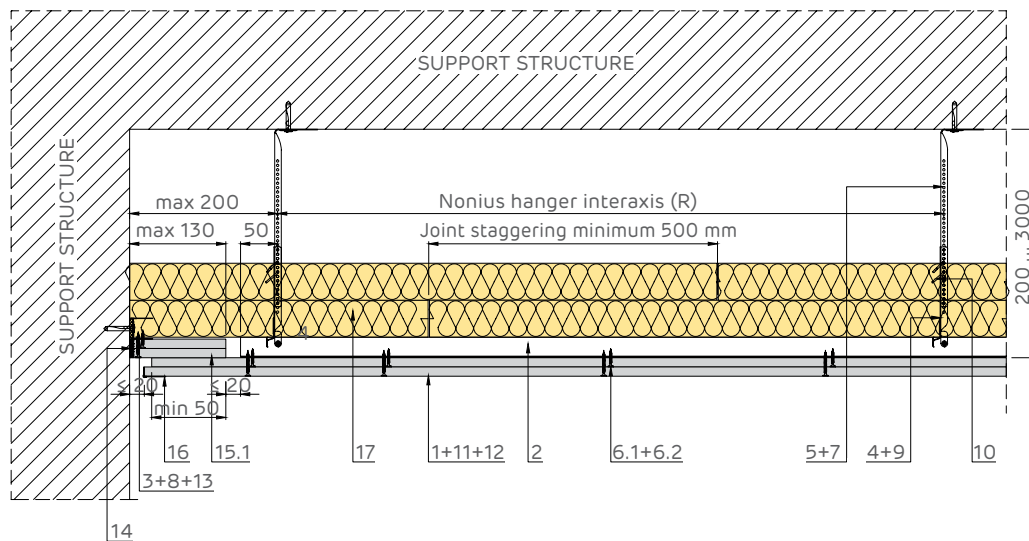
Rigid jointing with sturdy item  
Longitudinal section



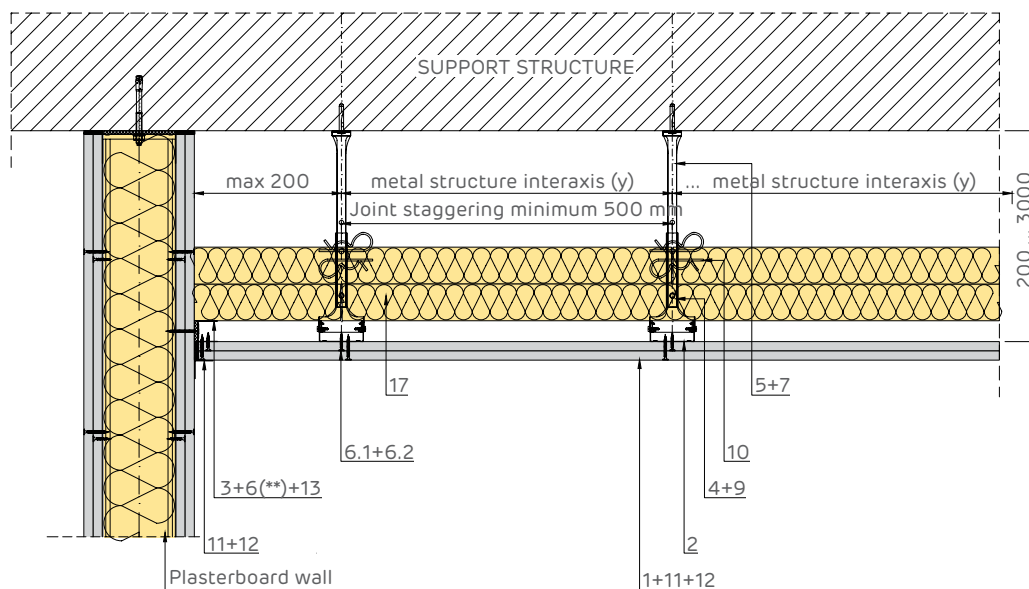
Sliding joint with sturdy items  
Cross section



## Sliding jointing with sturdy item Longitudinal section



## Jointing with plasterboard wall Cross section

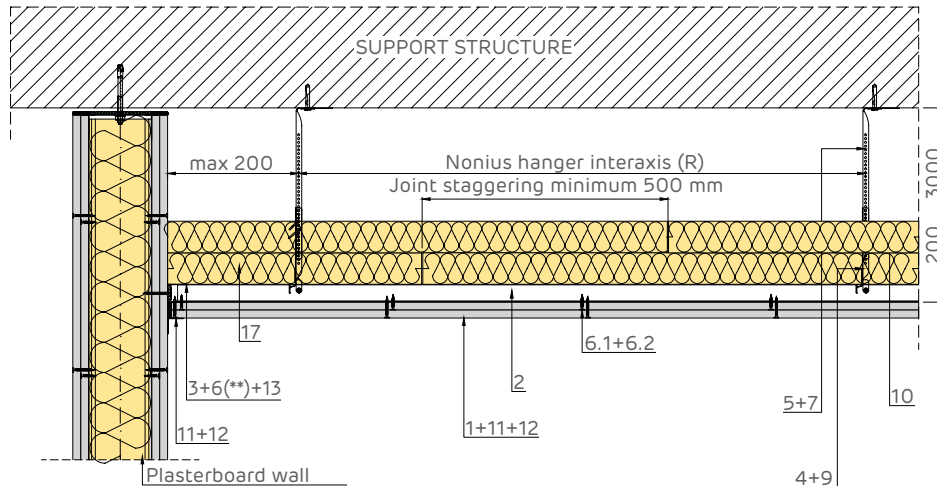


### NOTE:

(\*\*) The self-tapping screw will be fixed to the metal structure of the plasterboard wall, choosing the length according to the thickness of the wall package (thickness of the wall board layers).

- |   |  |    |  |
|---|--|----|--|
| 1 | 2 x Siniat plasterboard  | 10 | Nonius clamp 2 pcs./fastening  |
| 2 | NIDA Metal CD60 profile  | 11 | NIDA Profesional jointing plaster  |
| 3 | NIDA Metal UD30 runner profile   | 12 | Jointing tape (*2)   |
| 4 | NIDA Metal lower Nonius hanger   | 13 | Single-sided adhesive sealing tape   |
| 5 | NIDA Metal upper Nonius hanger   | 14 | Joint treated with NIDA Boardfix   |
| 6 | 1. Self-tapping screw 212 x L1 @ 600 mm<br>2. Self-tapping screw 212 x L2 @ 300 mm | 15 | 1. 2 x Siniat board strip<br>2. 1 x Siniat board strip pre-mounted with 212 screw  |
| 7 | Mechanical fixing (*1) , 1 pc/fastening  | 16 | Corner protection profile  |
| 8 | Mechanical fixing (*1), laid out at 500 mm pitch                                   | 17 | Basalt mineral wool 2 x 50 mm, min. density 25 kg/m <sup>3</sup> arranged in two tiers with the joints staggered from one tier to another in both directions |
| 9 | Self-drilling screw 4.2x13 FLAT HEAD 2 pcs.  |    |  |

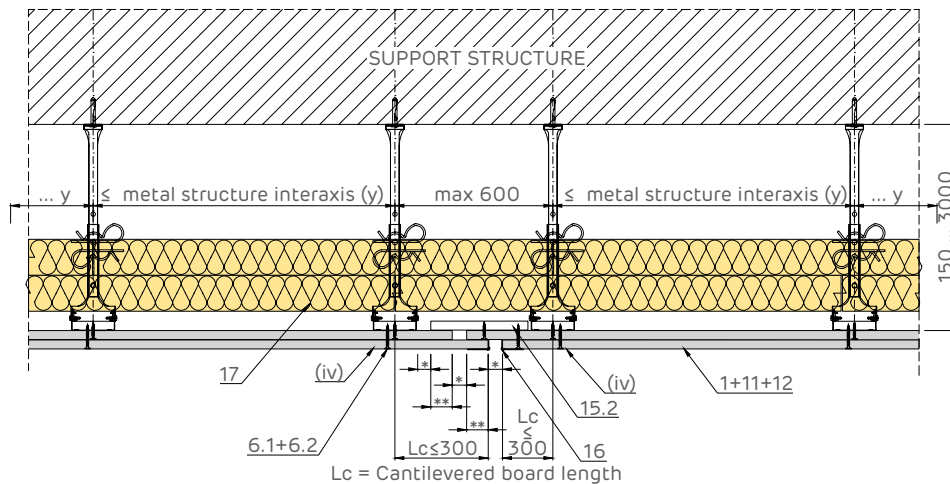
### Jointing with plasterboard wall Longitudinal section



**NOTE:**

(\*\*) The self-tapping screw will be fixed to the metal structure of the plasterboard wall, choosing the length according to the thickness of the wall package (thickness of the wall board layers).

### Expansion joint Cross section



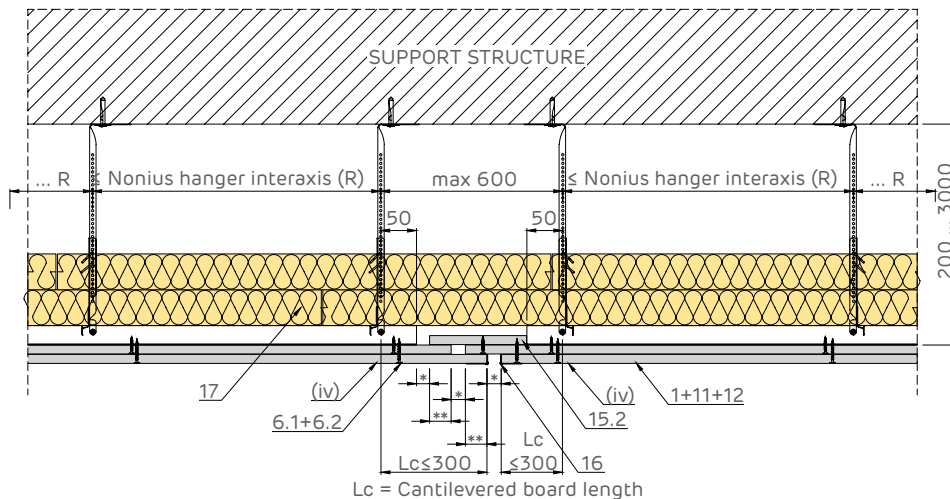
**NOTE:**

(iv) For the last plasterboard layer, it is not acceptable to make a joint in front of the specified profile; The joint should also be placed in front of the structural joints;

\* The size of the joint will also be determined by the size of the structural joint, but not less than 20 mm;

\*\* The board overlap will have a minimum size of (\* + 10 mm)

### Expansion joint Longitudinal section



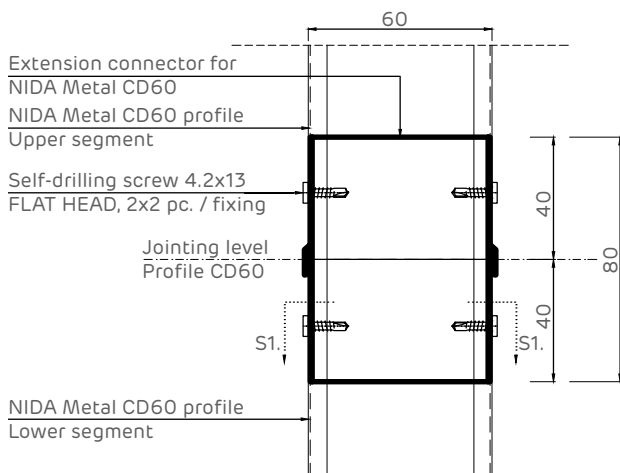
**NOTE:**

(iv) For the last plasterboard layer, it is not acceptable to make a joint in front of the specified profile; The joint should also be placed in front of the structural joints;

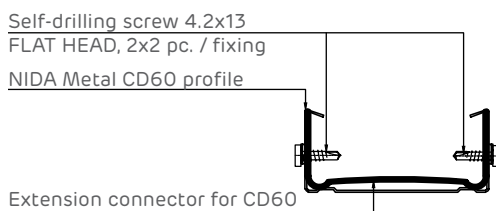
\* The size of the joint will also be determined by the size of the structural joint, but not less than 20 mm;

\*\* The board overlap will have a minimum size of (\* + 10 mm)

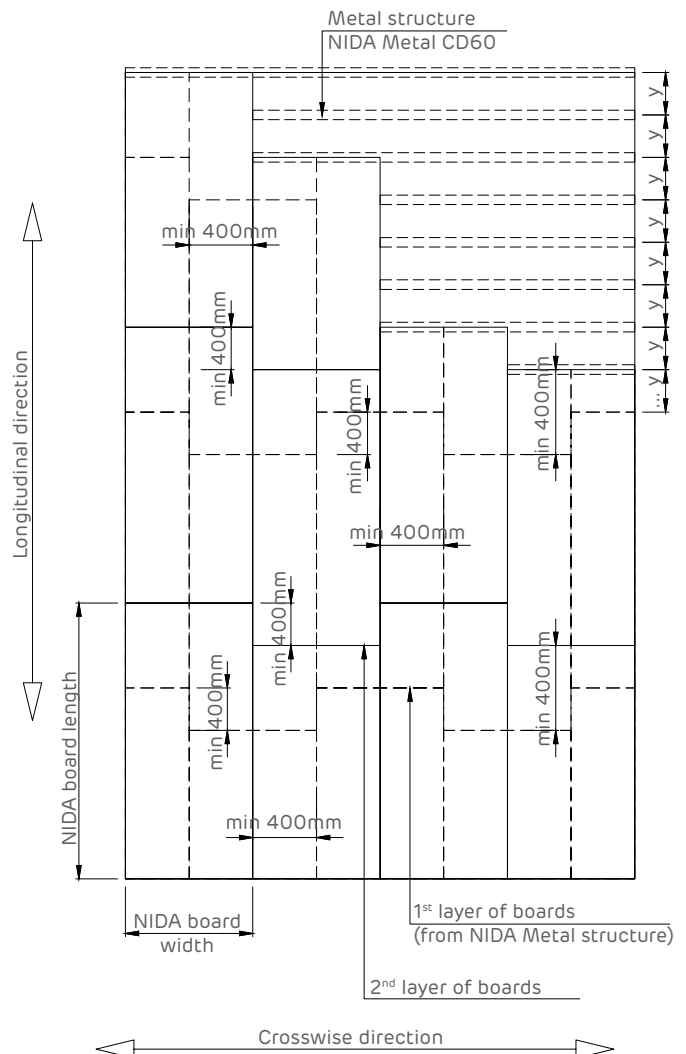
## Detail of NIDA Metal CD60 profile extension



### Section S1 - S1



## Board joint staggering System elevation



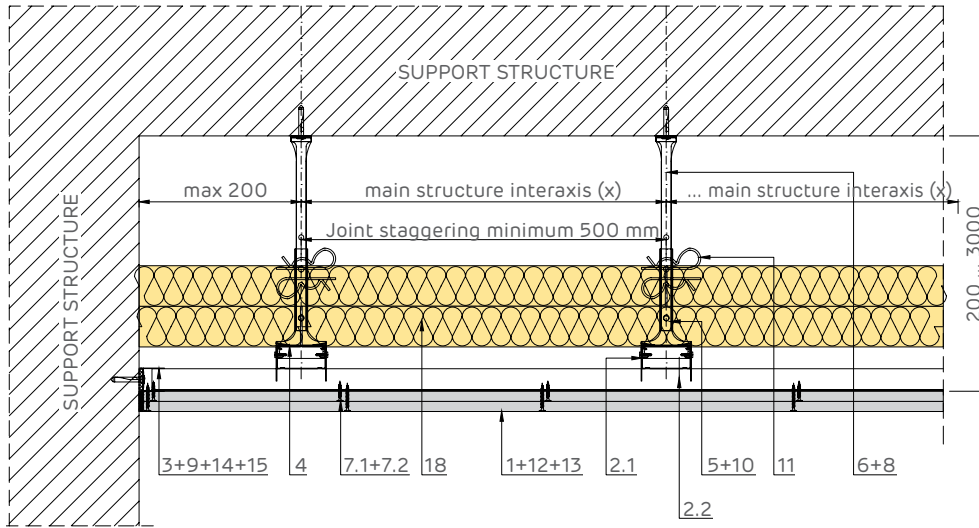
The boards should be mounted with the length perpendicular to the NIDA Metal CD60 profiles. The overlap of the boards lengthwise is minimum 400 mm.

- |   |  |
|---|--|
| <ul style="list-style-type: none"> <li>❶ 2 x Siniat plasterboard</li> <li>❷ NIDA Metal CD60 profile</li> <li>❸ NIDA Metal UD30 runner profile</li> <li>❹ NIDA Metal lower Nonius hanger</li> <li>❺ NIDA Metal upper Nonius hanger</li> <li>❻ 1. Self-tapping screw 212 x L1 @ 600 mm<br/>2. Self-tapping screw 212 x L2 @ 300 mm</li> <li>❼ Mechanical fixing (*1), 1 pc./fastening</li> <li>❽ Mechanical fixing (*1), laid out at 500 mm pitch</li> <li>❾ Self-drilling screw 4.2x13 FLAT HEAD 2 pcs.</li> </ul> | <ul style="list-style-type: none"> <li>❿ Nonius clamp 2 pcs./fastening</li> <li>⓫ NIDA Profesional jointing plaster</li> <li>⓬ Jointing tape (*2)</li> <li>⓭ Single-sided adhesive sealing tape</li> <li>⓮ Joint treated with NIDA Boardfix</li> <li>⓯ 1. 2 x Siniat board strip<br/>2. 1 x Siniat board strip pre-mounted with 212 screw</li> <li>⓰ Corner protection profile</li> <li>⓱ Basalt mineral wool 2 x 50 mm, min. density 25 kg/m<sup>3</sup> arranged in two tiers with the joints staggered from one tier to another in both directions</li> </ul> |
|---|--|

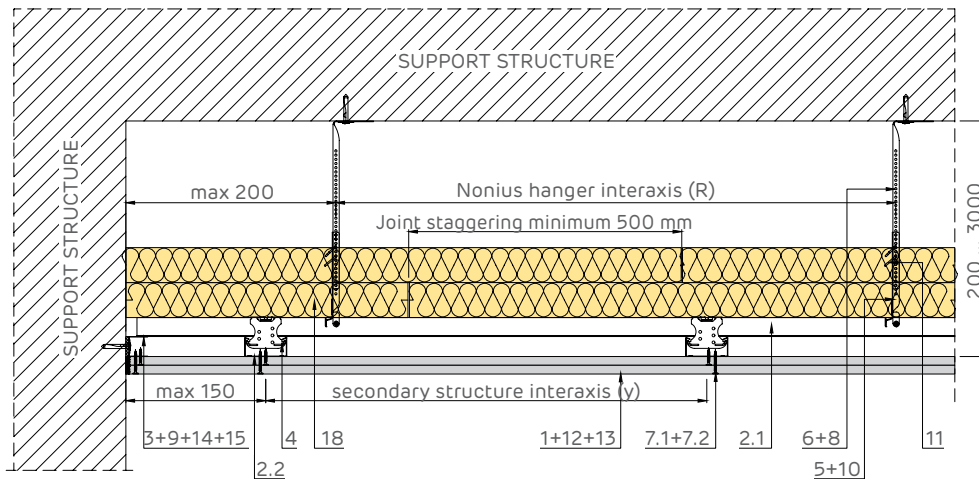


# NIDA System P: NIDA System suspended ceiling, double layer on double structure with Nonius hanger, fire resistant from top to bottom

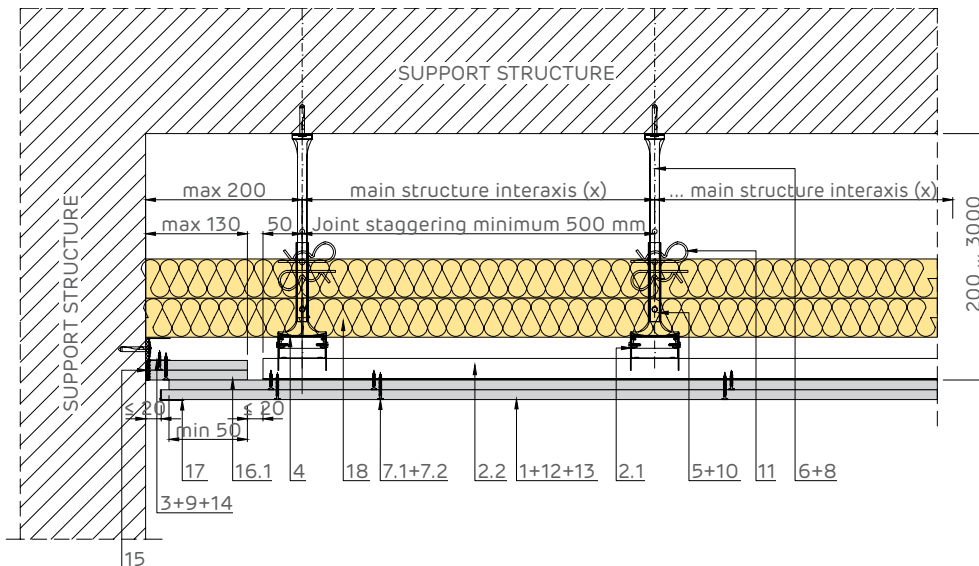
Rigid jointing with sturdy item  
Cross section



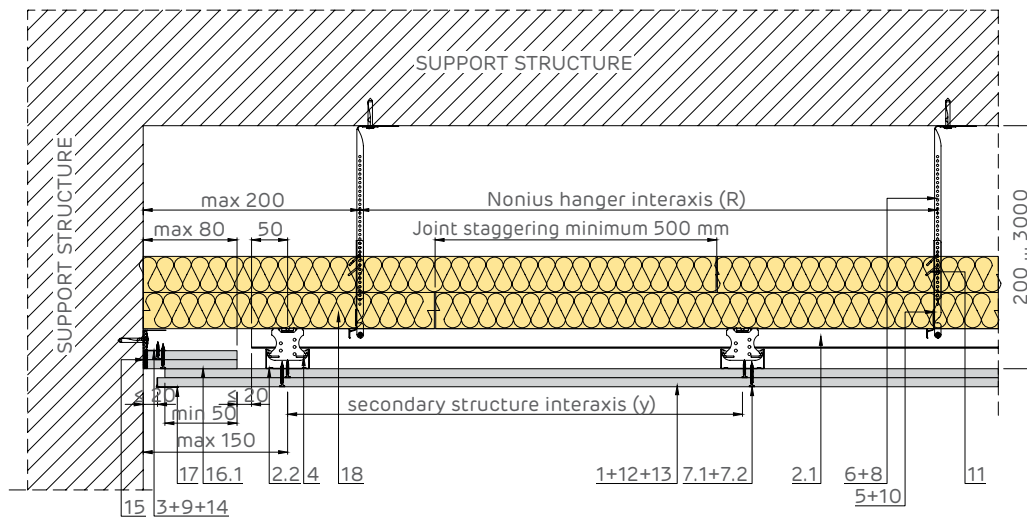
Rigid jointing with sturdy item  
Longitudinal section



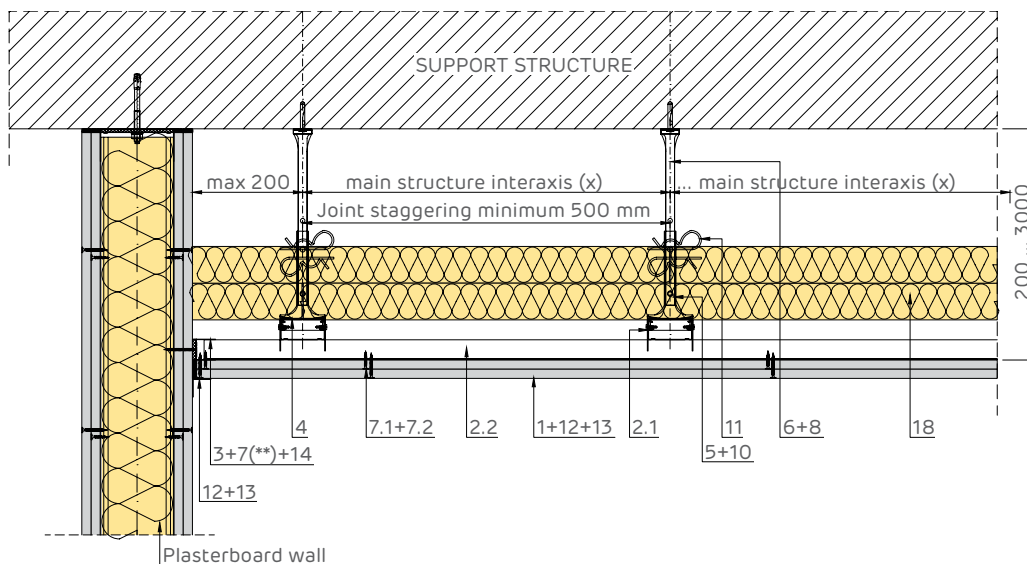
Sliding joint with sturdy items  
Cross section



## Sliding jointing with sturdy item Longitudinal section



## Jointing with plasterboard wall Cross section

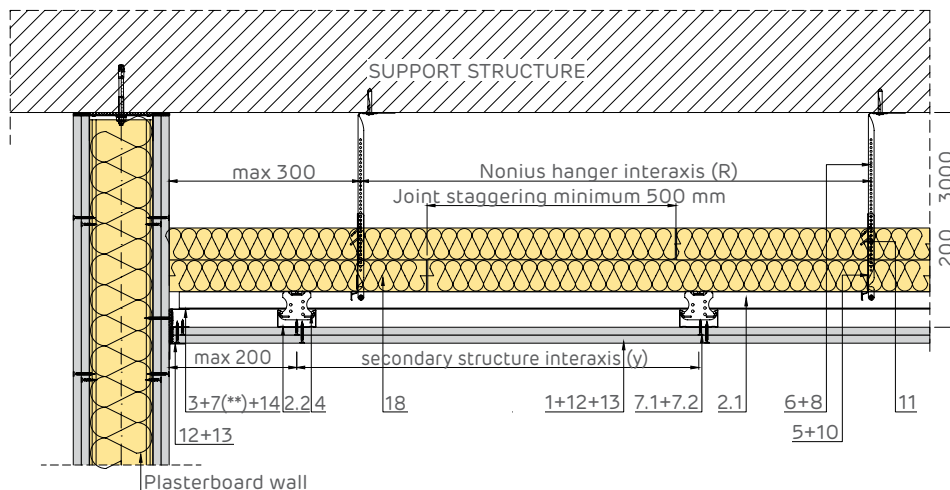


### NOTE:

(\*\*) The self-tapping screw will be fixed to the metal structure of the plasterboard wall, choosing the length according to the thickness of the wall package (thickness of the wall board layers).

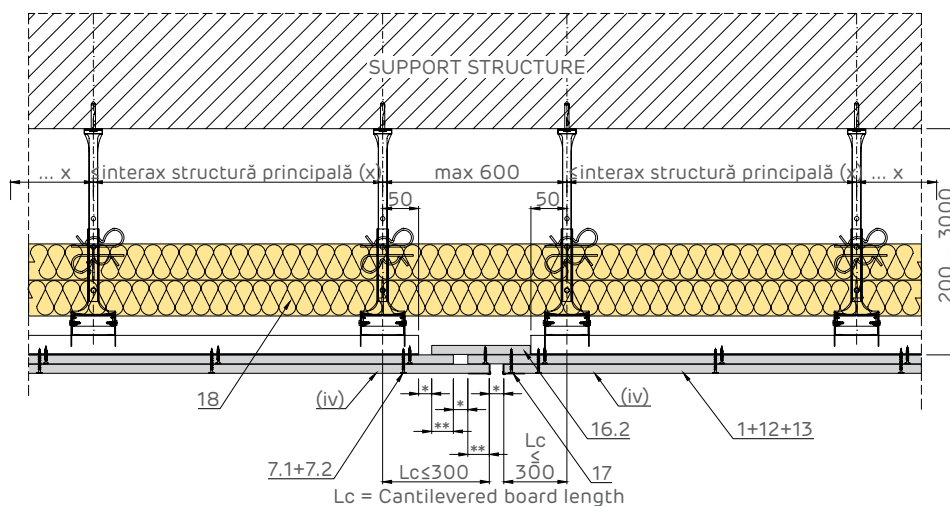
- |    |  |    |  |
|----|--|----|--|
| 1  | 2 x Siniat plasterboard  | 11 | Nonius clamp 2 pcs./fastening  |
| 2  | 1. NIDA Metal CD60 main profile<br>2. NIDA Metal CD60 secondary profile            | 12 | NIDA Profesional jointing plaster  |
| 3  | NIDA Metal UD30 runner profile   | 13 | Jointing tape (*2)   |
| 4  | NIDA Metal CD60 double joint connection  | 14 | Single-sided adhesive sealing tape   |
| 5  | NIDA Metal lower Nonius hanger   | 15 | Joint treated with NIDA Boardfix   |
| 6  | NIDA Metal upper Nonius hanger   | 16 | 1. 2 x Siniat board strip<br>2. 1 x Siniat board strip pre-mounted with 212 screw  |
| 7  | 1. Self-tapping screw 212 x L1 @ 600 mm<br>2. Self-tapping screw 212 x L2 @ 300 mm | 17 | Corner protection profile  |
| 8  | Mechanical fixing (*1), 1 pc/fastening   | 18 | Basalt mineral wool 2 x 50 mm, min. density 25 kg/m <sup>3</sup> arranged in two tiers with the joints staggered from one tier to another in both directions |
| 9  | Mechanical fixing (*1), laid out at 500 mm pitch                                   |    |  |
| 10 | Self-drilling screw 4.2x13 FLAT HEAD 2 pcs.  |    |  |

### Joining with plasterboard wall Longitudinal section

**NOTE:**

(\*\*) The self-tapping screw will be fixed to the metal structure of the plasterboard wall, choosing the length according to the thickness of the wall package (thickness of the wall board layers).

### Expansion joint Cross section

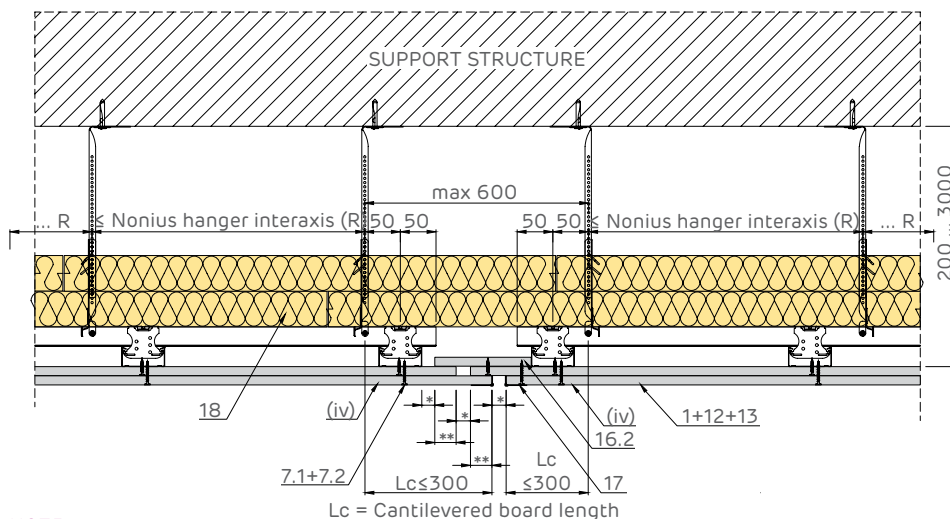
**NOTE:**

(iv) For the last plasterboard layer, it is not acceptable to make a joint in front of the specified profile; The joint should also be placed in front of the structural joints;

\* The size of the joint will also be determined by the size of the structural joint, but not less than 20 mm;

\*\* The board overlap will have a minimum size of (\* + 10 mm)

### Expansion joint Longitudinal section

**NOTE:**

(iv) For the last plasterboard layer, it is not acceptable to make a joint in front of the specified profile; The joint should also be placed in front of the structural joints;

\* The size of the joint will also be determined by the size of the structural joint, but not less than 20 mm;

\*\* The board overlap will have a minimum size of (\* + 10 mm)

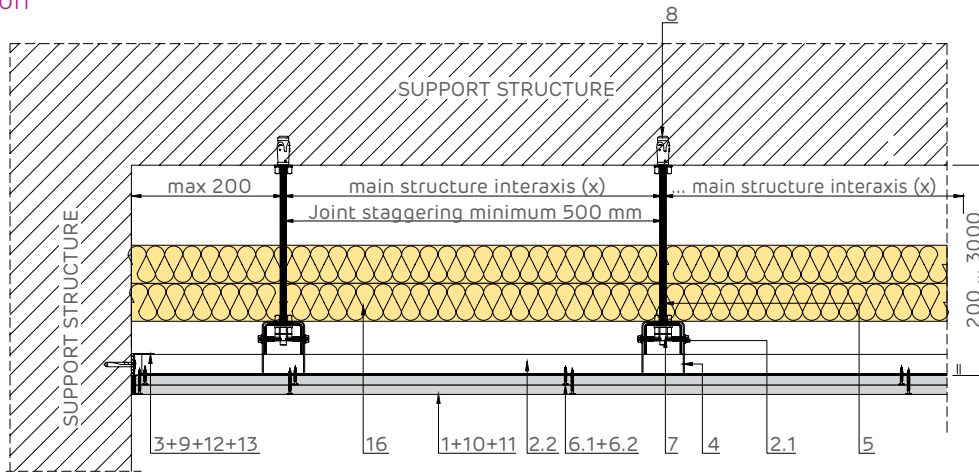




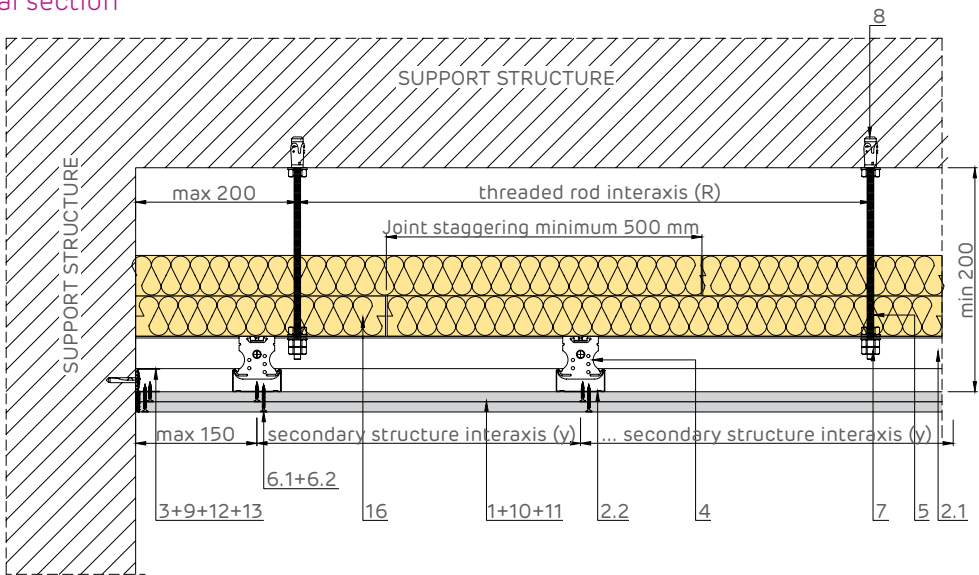
## NIDA System P:

NIDA System suspended ceiling, double layer on UA50/CD60 double structure with threaded rod, fire resistant from top to bottom

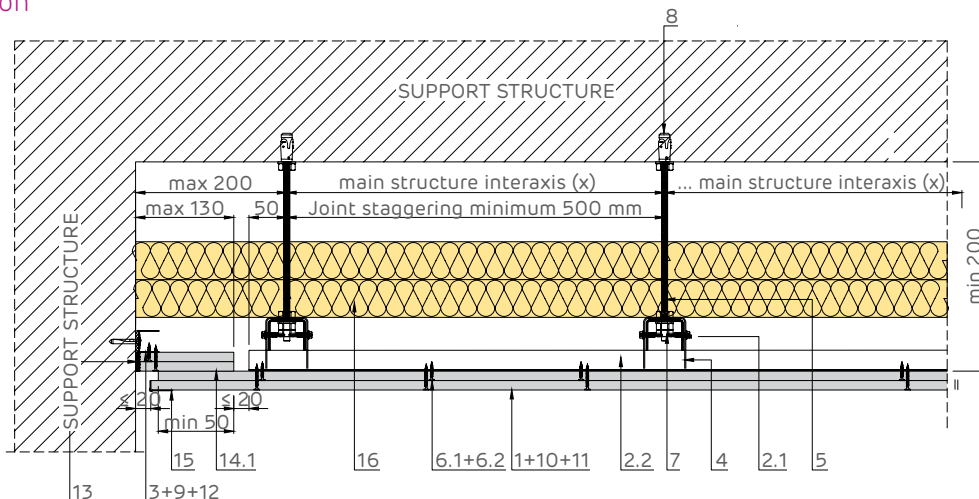
Rigid jointing with sturdy item  
Cross section



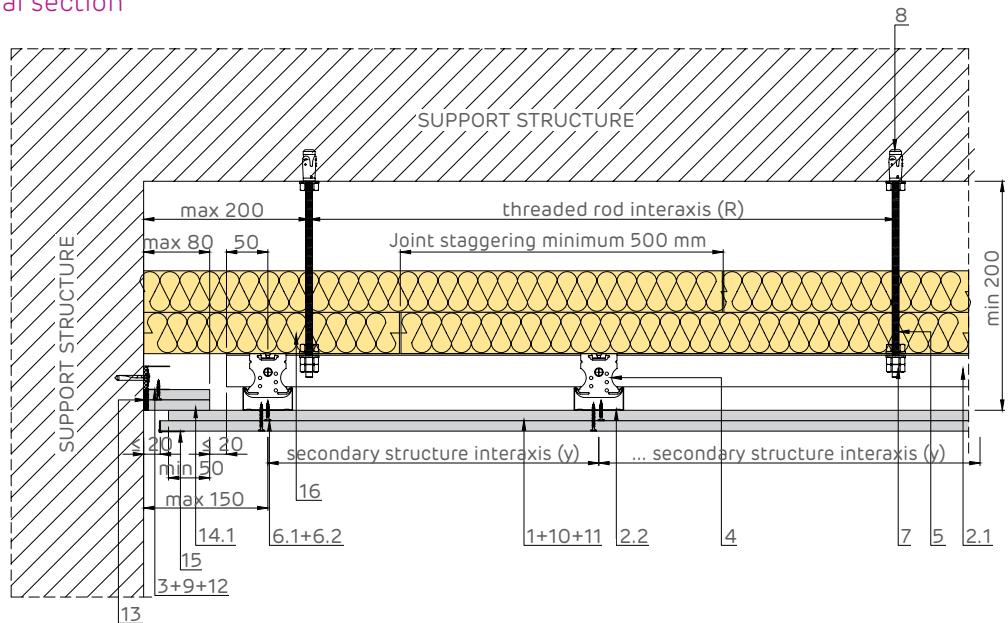
Rigid jointing with sturdy item  
Longitudinal section



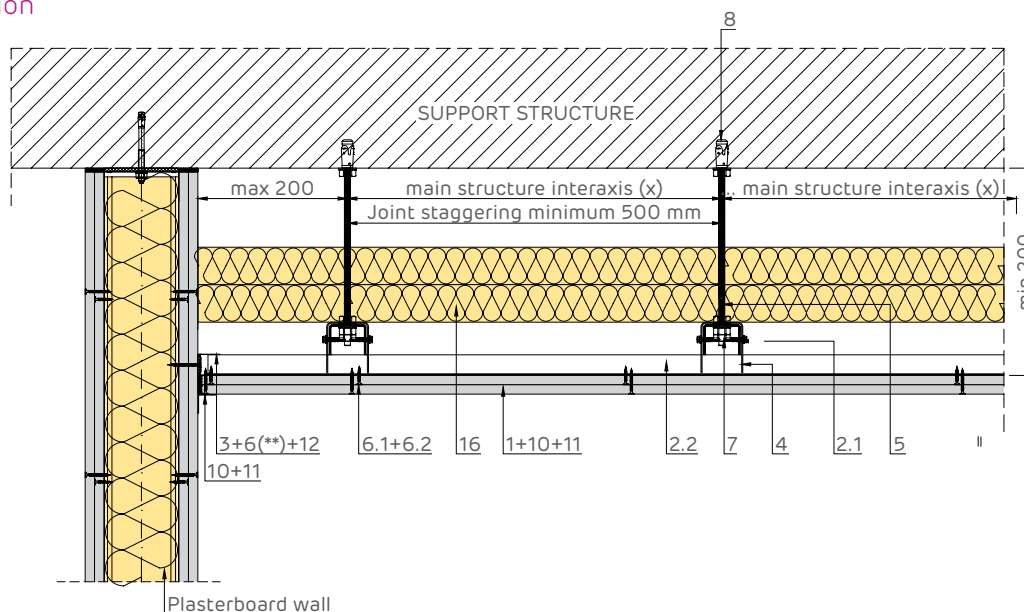
Sliding joint with sturdy items  
Cross section



## Sliding jointing with sturdy item Longitudinal section



## Jointing with plasterboard wall Cross section

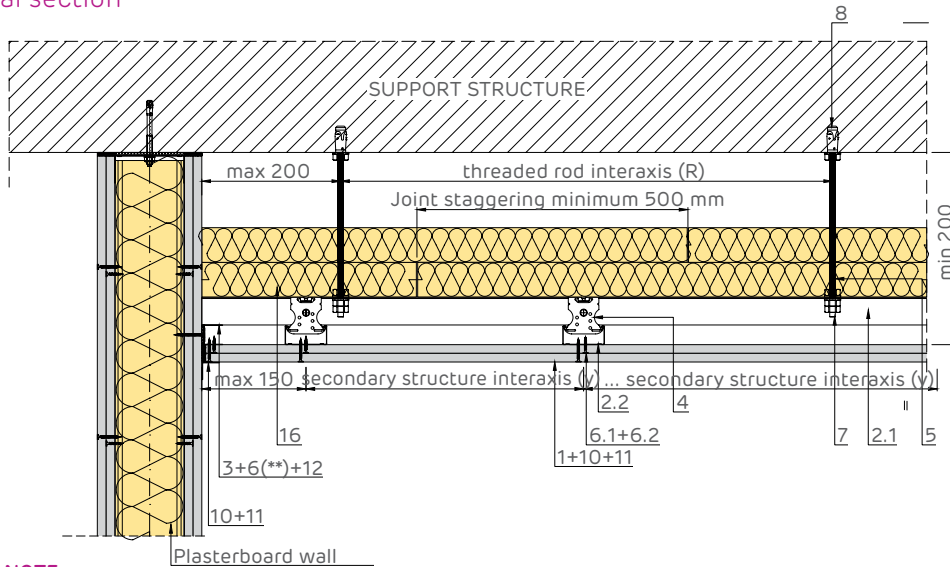


### NOTE:

(\*\*) The self-tapping screw will be fixed to the metal structure of the plasterboard wall, choosing the length according to the thickness of the wall package (thickness of the wall board layers).

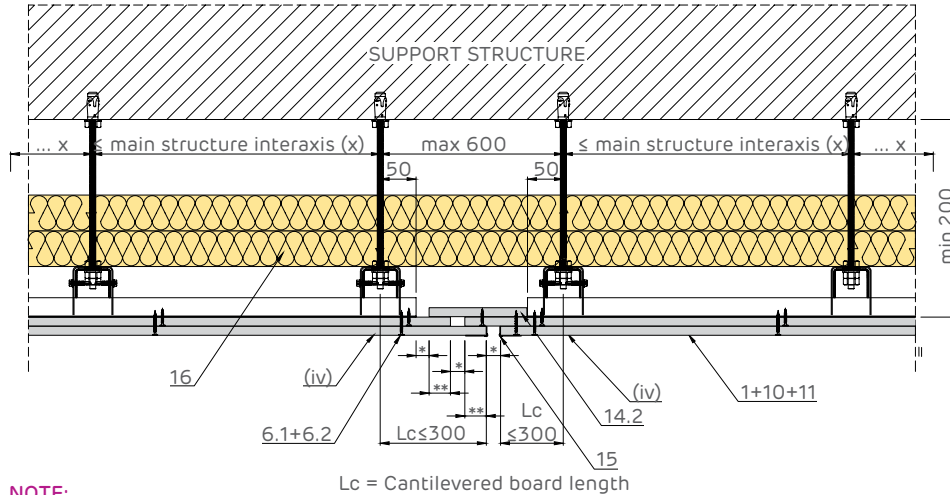
- |  |  |
|--|--|
| <ul style="list-style-type: none"> <li>① 2 x Siniat plasterboard</li> <li>② 1. NIDA Metal UA50 main profile<br/>2. NIDA Metal CD60 secondary profile</li> <li>③ NIDA Metal UD30/UW50 runner profile</li> <li>④ Double jointing connector<br/>UA50-CD60 NIDA Metal<br/>2x1 Self-drilling 5.5x25</li> <li>⑤ Threaded rod M8, group 4.8</li> <li>⑥ 1. Self-tapping 212 x L1 @ 600 mm<br/>2. Self-tapping 212 x L2 @ 300 mm</li> <li>⑦ 7. Threaded rod fixing - UA profile:<br/>Upper: 1 x (Flat Washer + Nut)<br/>Lower: 1 x Flat Washer + 2 x Nut</li> </ul> | <ul style="list-style-type: none"> <li>⑧ Flush anchor ( E.g. Hilti HKD<br/>M8 x 25 + Washer + Nut)</li> <li>⑨ Mechanical fixing (*1), laid out at 500 mm pitch</li> <li>⑩ Jointing tape (*2)</li> <li>⑪ NIDA Profesional jointing plaster</li> <li>⑫ Single-sided adhesive sealing tape</li> <li>⑬ Joint treated with NIDA Boardfix</li> <li>⑭ 1. 2 x Siniat board strip<br/>2. 1 x Siniat board strip pre-mounted with 212 screw</li> <li>⑮ Corner protection profile</li> <li>⑯ Basalt mineral wool 2 x 50 mm, min. density<br/>25 kg/m<sup>3</sup> arranged in two tiers with the joints<br/>staggered from one tier to another in both directions</li> </ul> |
|--|--|

Joining with plasterboard wall  
Longitudinal section



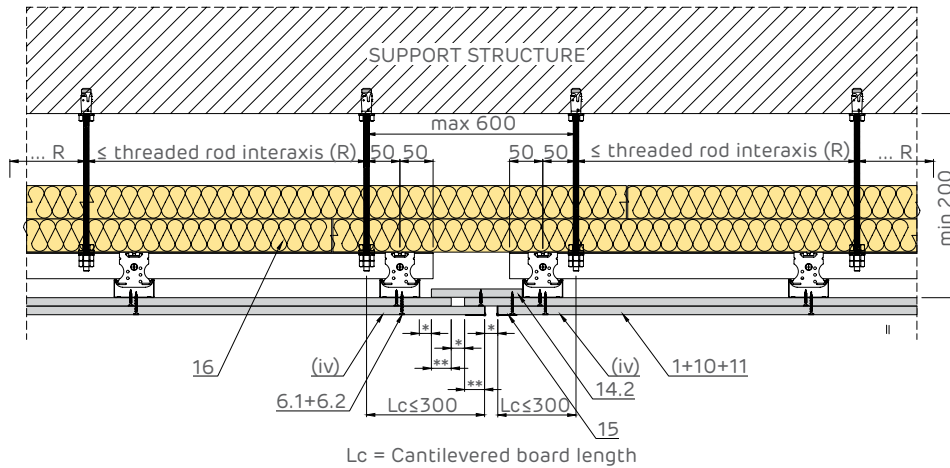
**NOTE:**  
(\*\*) The self-tapping screw will be fixed to the metal structure of the plasterboard wall, choosing the length according to the thickness of the wall package (thickness of the wall board layers).

Expansion joint  
Cross section



**NOTE:**  
(iv) For the last plasterboard layer, it is not acceptable to make a joint in front of the specified profile; The joint should also be placed in front of the structural joints;  
\* The size of the joint will also be determined by the size of the structural joint, but not less than 20 mm;  
\*\* The board overlap will have a minimum size of (\* + 10 mm)

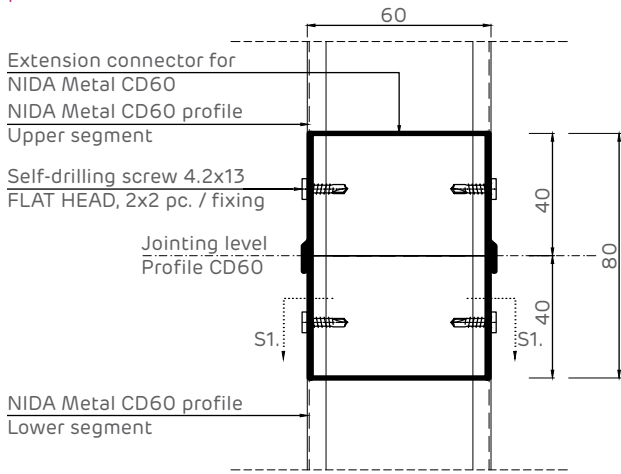
Expansion joint  
Longitudinal section



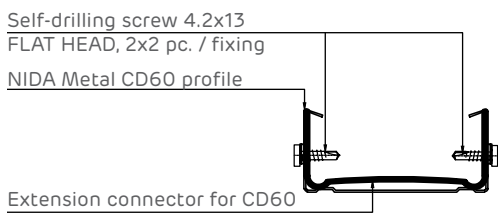
**NOTE:**  
(iv) For the last plasterboard layer, it is not acceptable to make a joint in front of the specified profile; The joint should also be placed in front of the structural joints;  
\* The size of the joint will also be determined by the size of the structural joint, but not less than 20 mm;  
\*\* The board overlap will have a minimum size of (\* + 10 mm)



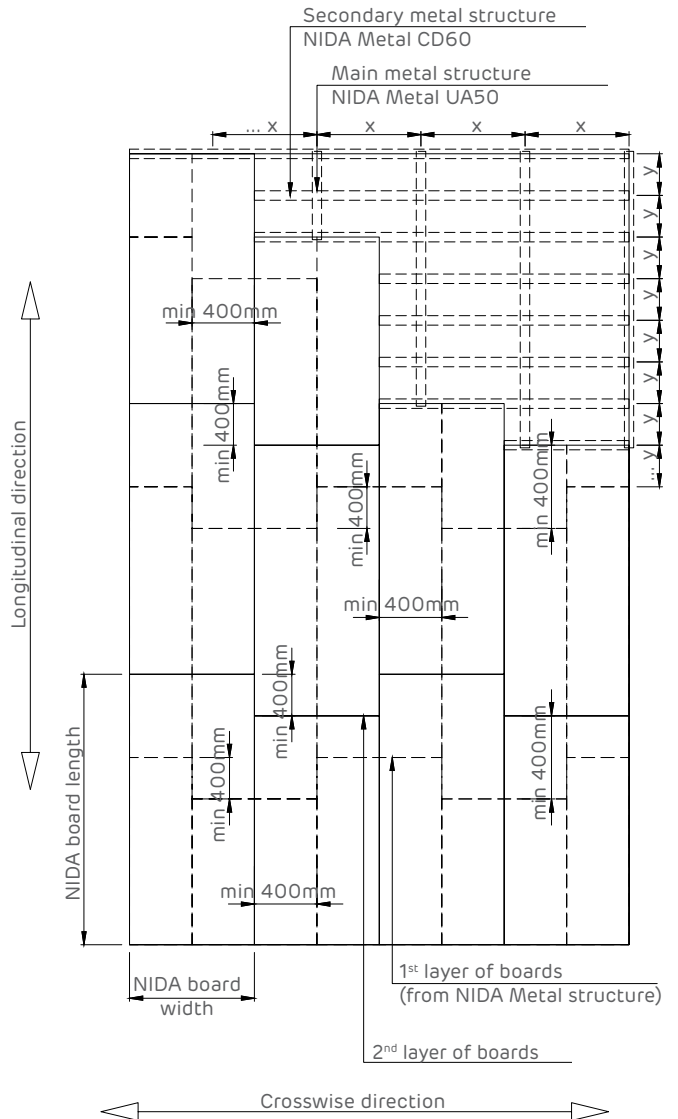
Detail of NIDA Metal CD60 profile extension



Section S1 - S1

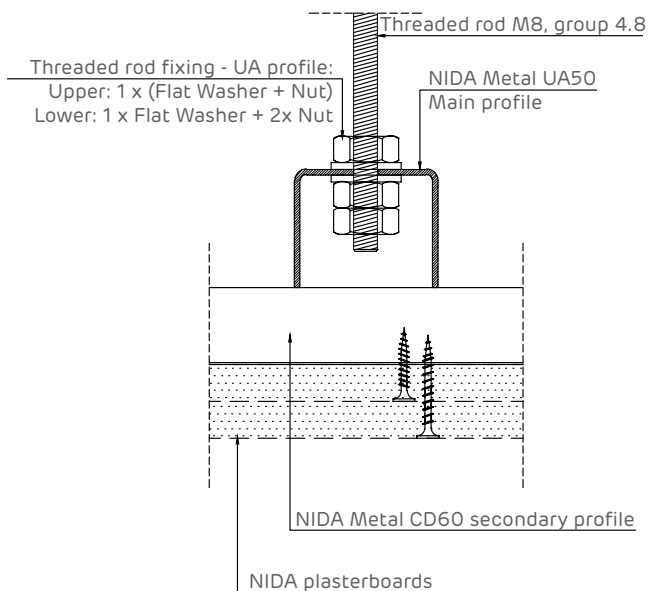


Board joint staggering System elevation

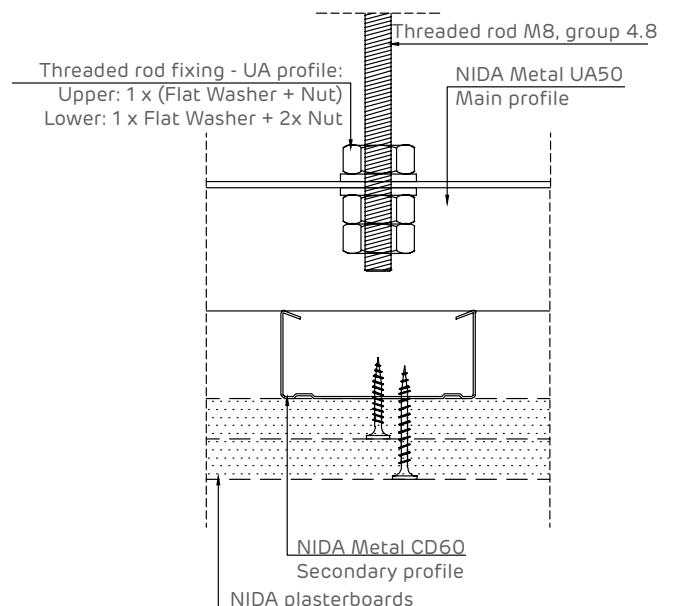


The boards should be mounted with the length perpendicular to the NIDA Metal CD60 profiles. The overlap of the boards lengthwise is minimum 400 mm.

Threaded rod fixing detail Cross section

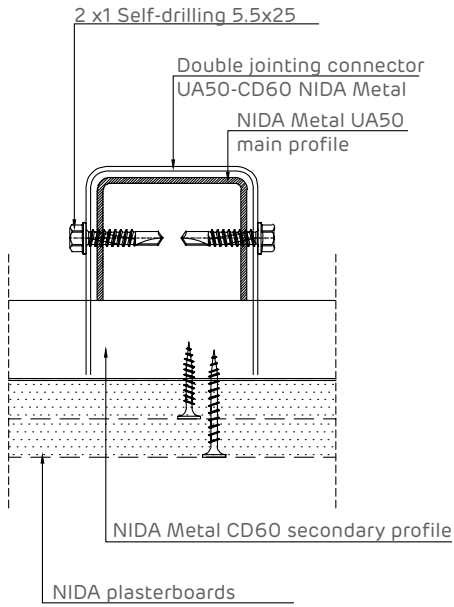


Threaded rod fixing detail Longitudinal section

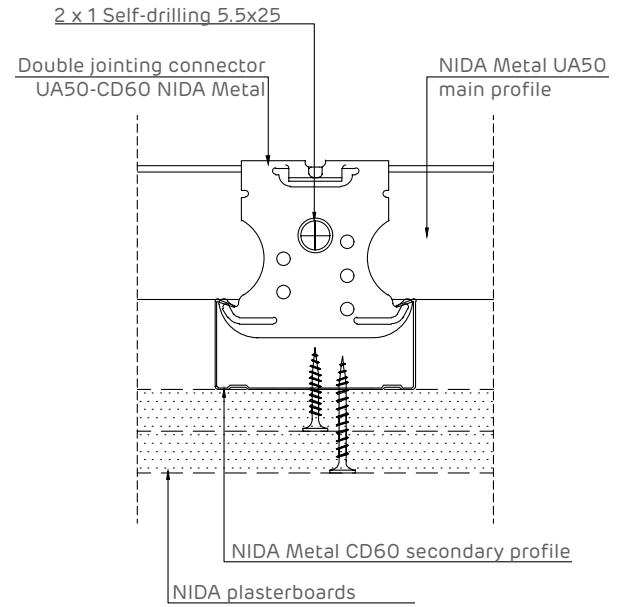




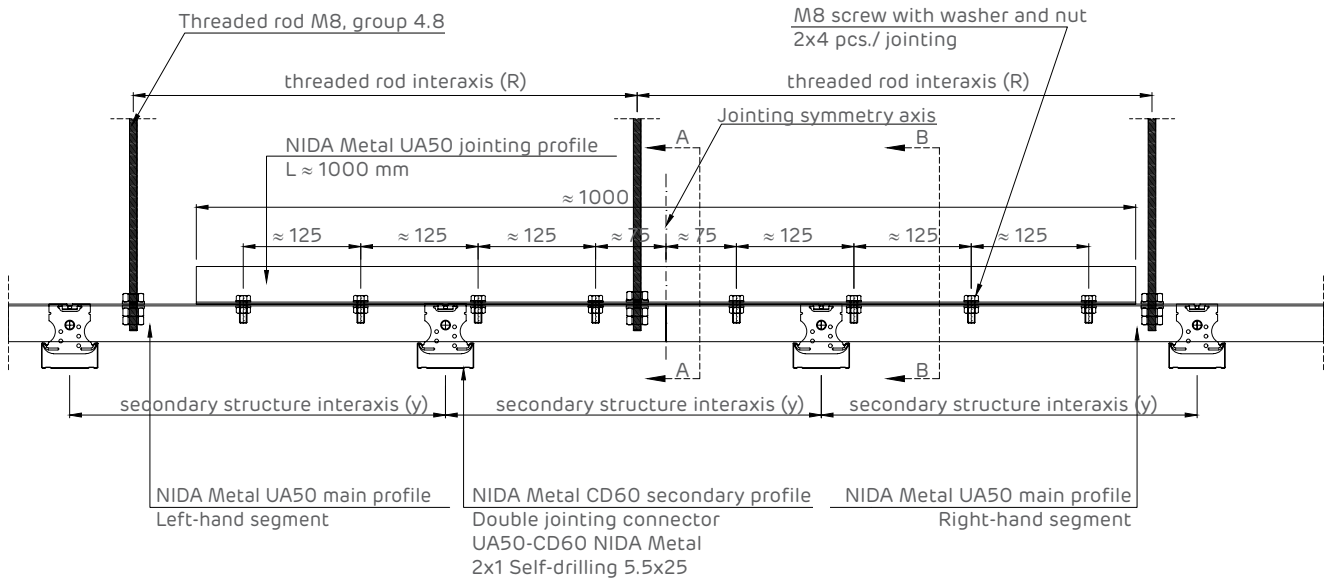
UA50 - CD60 fixing detail  
Cross section

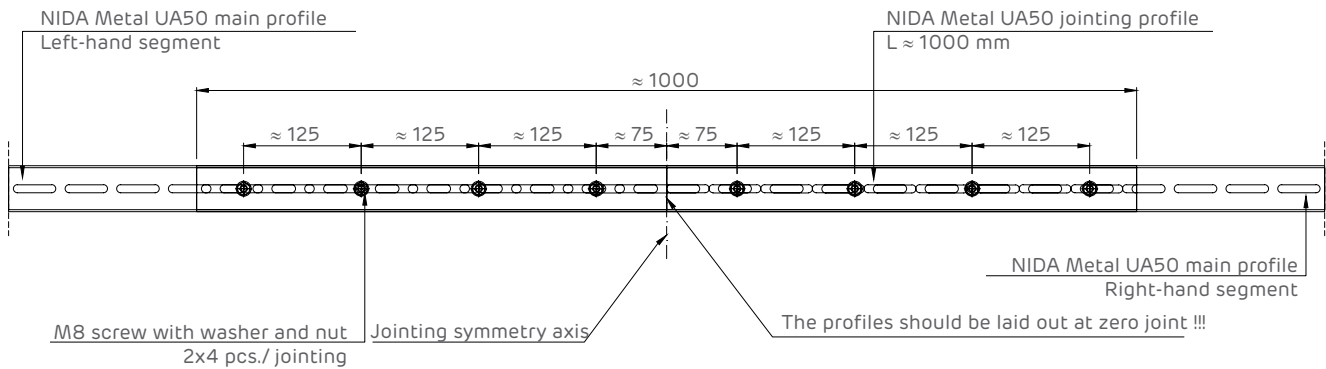


UA50 - CD60 fixing detail  
Longitudinal section

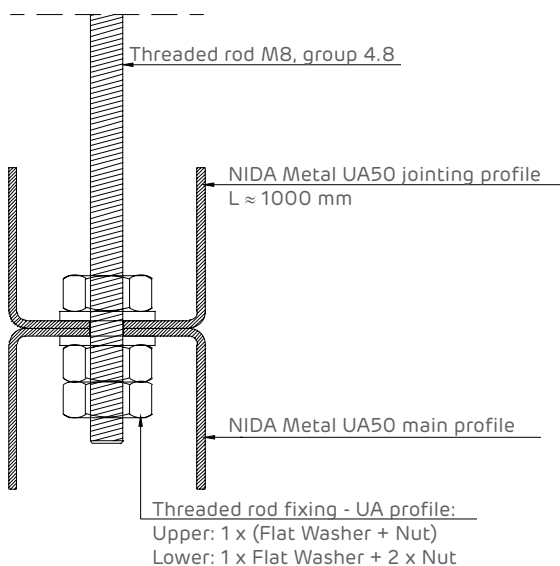


Detail of NIDA Metal UA50 profile extension  
Longitudinal and cross section

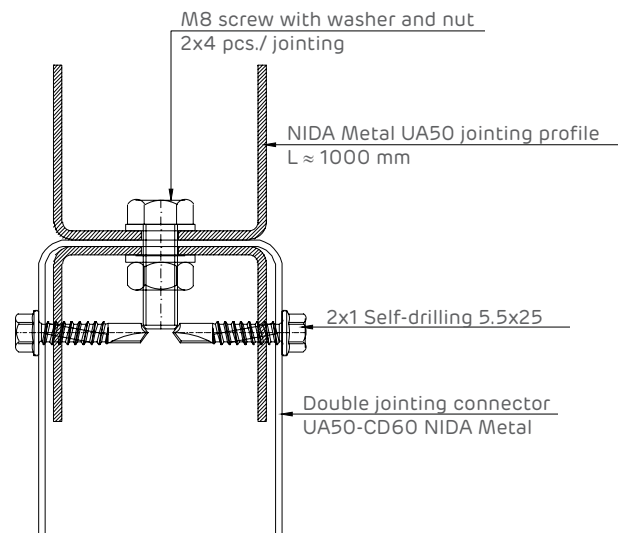




## Section A - A



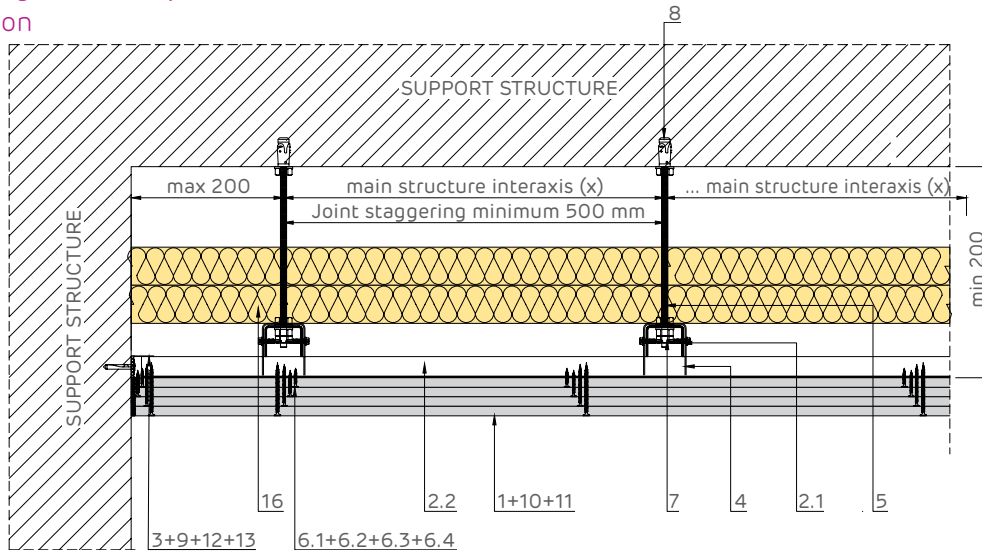
## Section B - B



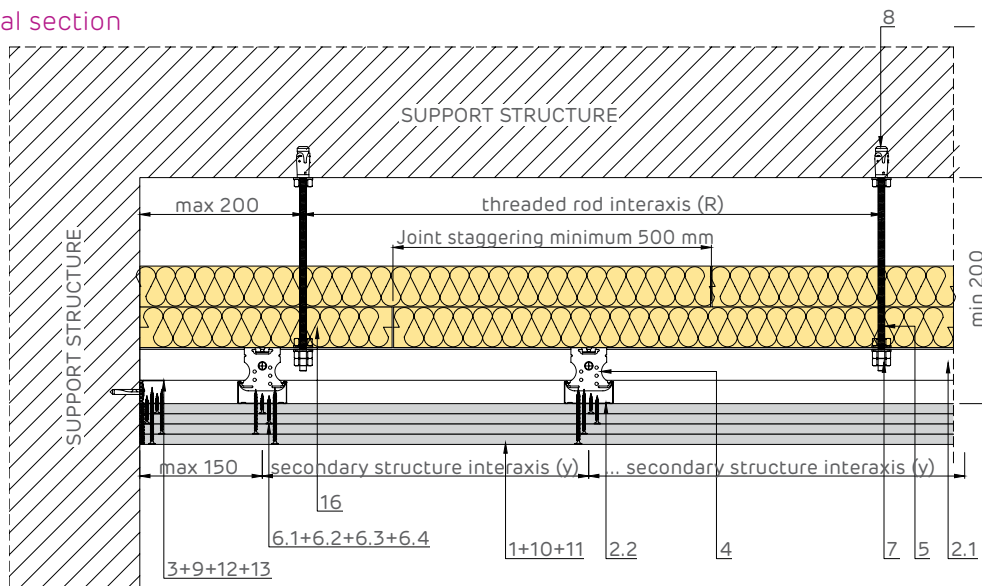
- 1 2 x Siniat plasterboard
- 2 1. NIDA Metal UA50 main profile  
2. NIDA Metal CD60 secondary profile
- 3 NIDA Metal UD30/UW50 runner profile
- 4 Double jointing connector  
UA50-CD60 NIDA Metal  
2x1 Self-drilling 5.5x25
- 5 Threaded rod M8, group 4.8
- 6 1. Self-tapping 212 x L1 @ 600 mm  
2. Self-tapping 212 x L2 @ 300 mm
- 7 Threaded rod fixing - UA profile:  
Upper: 1x (Flat Washer + Nut)  
Lower: 1x (Flat Washer + 2x Nut)
- 8 Flush anchor ( E.g. Hilti HKD M8 x 25 + Washer + Nut)
- 9 Mechanical fixing (\*1), laid out at 500 mm pitch
- 10 Jointing tape (\*2)
- 11 NIDA Profesional jointing plaster
- 12 Single-sided adhesive sealing tape
- 13 Joint treated with NIDA Boardfix
- 14 1. 2 x Siniat board strip  
2. 1 x Siniat board strip pre-mounted with 212 screw
- 15 Corner protection profile
- 16 Basalt mineral wool 2 x 50 mm, min. density 25 kg/m<sup>3</sup> arranged in two tiers with the joints staggered from one tier to another in both directions

# NIDA System P: NIDA System suspended ceiling, fourfold layer on UA50/CD60 double structure with threaded rod, fire resistant from top to bottom

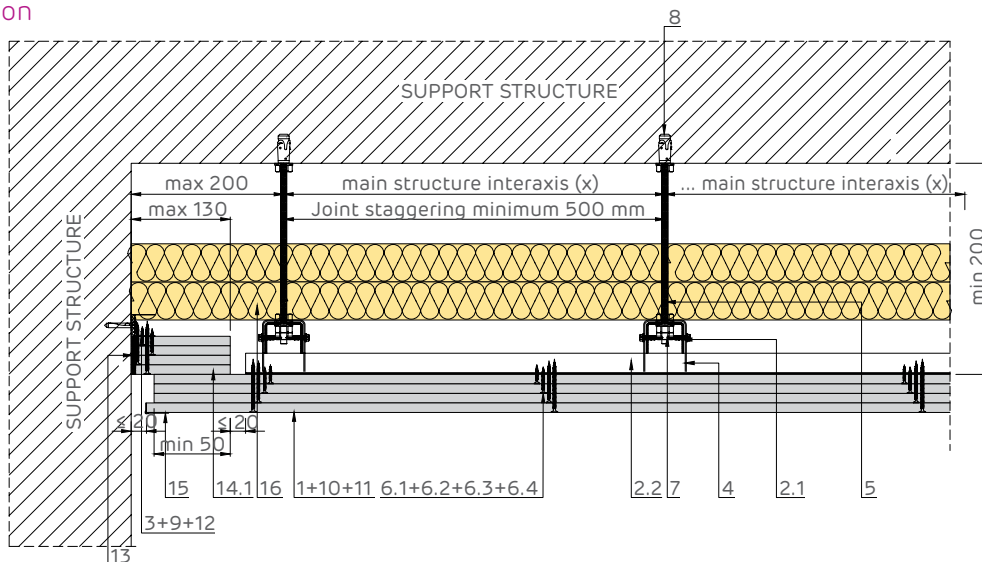
Rigid jointing with sturdy item  
Cross section



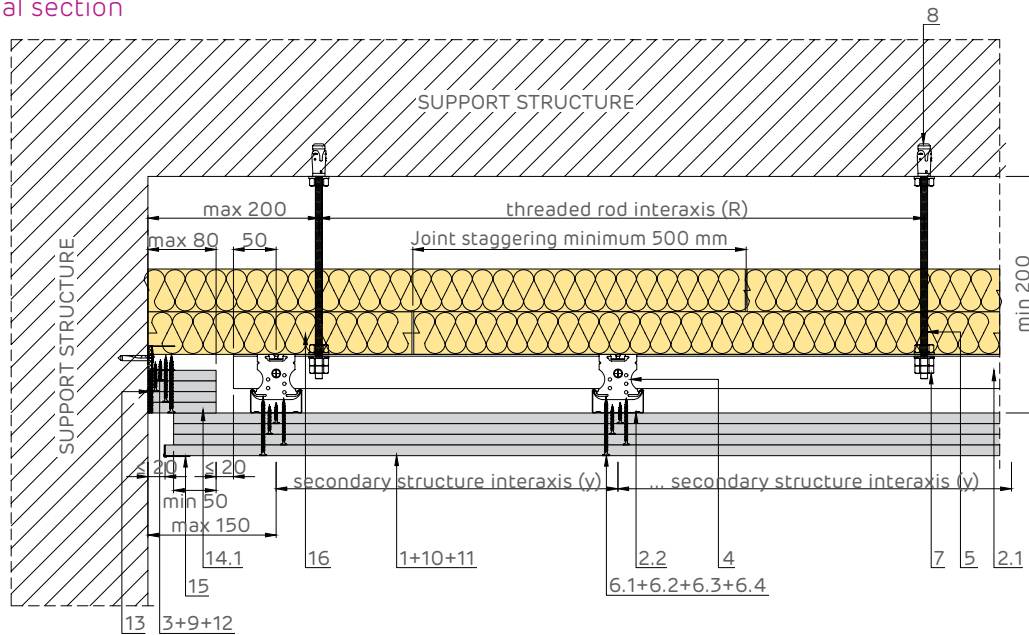
Rigid jointing with sturdy item  
Longitudinal section



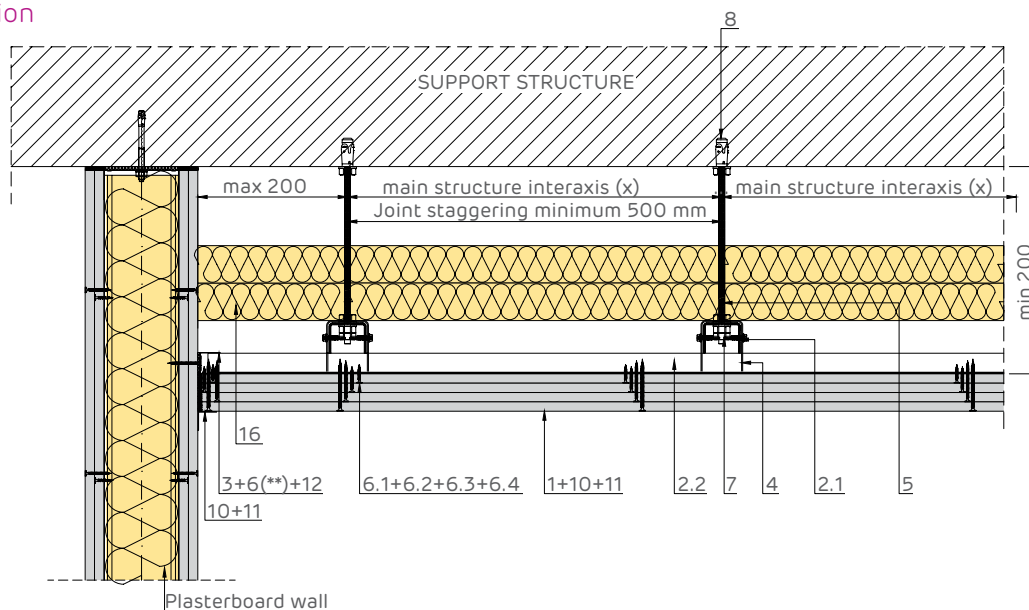
Sliding joint with sturdy items  
Cross section



## Sliding jointing with sturdy item Longitudinal section



## Jointing with plasterboard wall Cross section

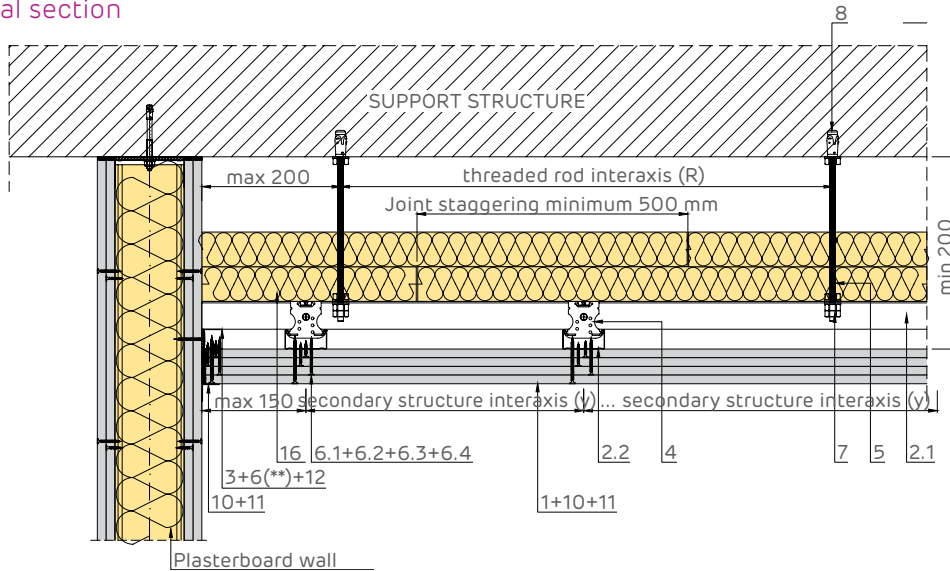


### NOTE:

(\*\*) The self-tapping screw will be fixed to the metal structure of the plasterboard wall, choosing the length according to the thickness of the wall package (thickness of the wall board layers).

- |   |  |
|---|--|
| <ul style="list-style-type: none"> <li>① 4 x Siniat plasterboard</li> <li>② 1. NIDA Metal UA50 main profile<br/>2. NIDA Metal CD60 secondary profile</li> <li>③ NIDA Metal UD30/UW50 runner profile</li> <li>④ Double jointing connector<br/>UA50-CD60 NIDA Metal<br/>2 x 1 Self-drilling 5.5 x 25</li> <li>⑤ Threaded rod M8, group 4.8</li> <li>⑥ 1. Self-tapping 212 x L1 @ 600 mm<br/>2. Self-tapping 212 x L2 @ 600 mm<br/>3. Self-tapping 212 x L3 @ 600 mm<br/>4. Self-tapping 212 x L4 @ 300 mm</li> <li>⑦ Threaded rod fixing - UA profile: Upper: 1 x (Flat Washer + Nut) Lower: 1 x Flat Washer + 2 x Nut</li> </ul> | <ul style="list-style-type: none"> <li>⑧ Flush anchor ( E.g. Hilti HKD M8 x 25 + Washer + Nut)</li> <li>⑨ Mechanical fixing (*1), laid out at 500 mm pitch</li> <li>⑩ Jointing tape (*2)</li> <li>⑪ NIDA Profesional jointing plaster</li> <li>⑫ Single-sided adhesive sealing tape</li> <li>⑬ Joint treated with NIDA Boardfix</li> <li>⑭ 1. 4 x Siniat board strip<br/>2. 1 x Siniat board strip pre-mounted with 212 screw</li> <li>⑮ Corner protection profile</li> <li>⑯ Basalt mineral wool 2 x 50 mm, min. density 25 kg/m<sup>3</sup> arranged in two tiers with the joints staggered from one tier to another in both directions</li> </ul> |
|---|--|

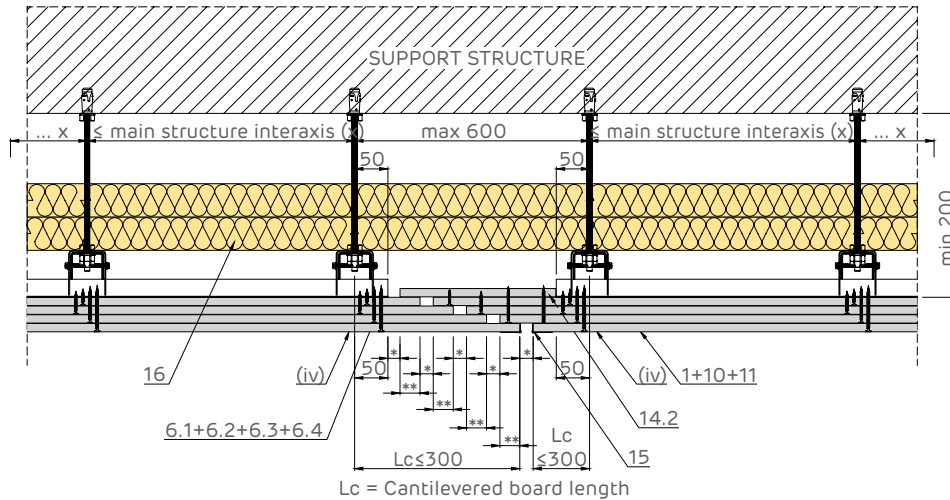
Jointing with plasterboard wall  
Longitudinal section



**NOTE:**

(\*\*) The self-tapping screw will be fixed to the metal structure of the plasterboard wall, choosing the length according to the thickness of the wall package (thickness of the wall board layers).

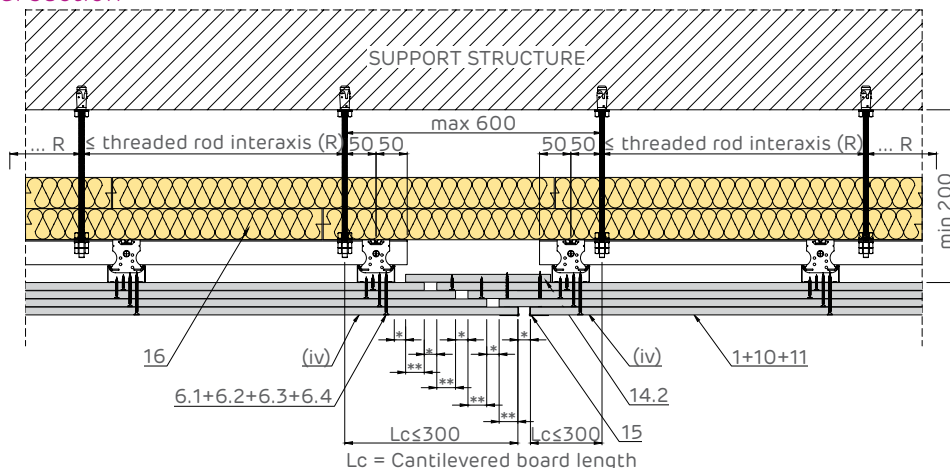
Expansion joint  
Cross section



**NOTE:**

(iv) For the last plasterboard layer, it is not acceptable to make a joint in front of the specified profile; The joint should also be placed in front of the structural joints;  
\* The size of the joint will also be determined by the size of the structural joint, but not less than 20 mm;  
\*\* The board overlap will have a minimum size of (\* + 10 mm)

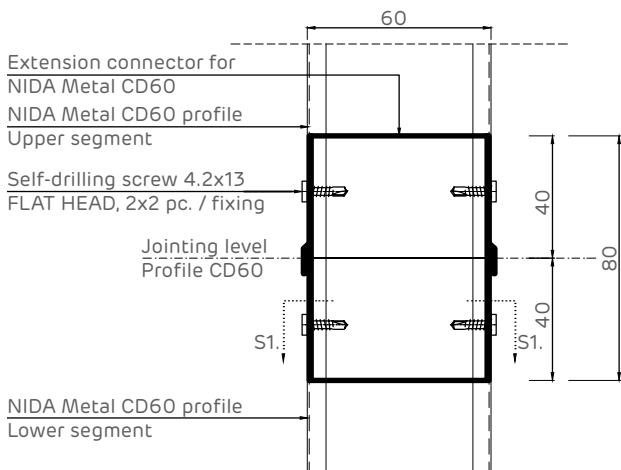
Expansion joint  
Longitudinal section



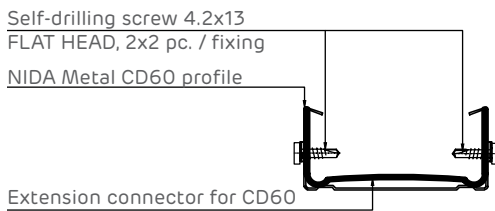
**NOTE:**

(iv) For the last plasterboard layer, it is not acceptable to make a joint in front of the specified profile; The joint should also be placed in front of the structural joints;  
\* The size of the joint will also be determined by the size of the structural joint, but not less than 20 mm;  
\*\* The board overlap will have a minimum size of (\* + 10 mm)

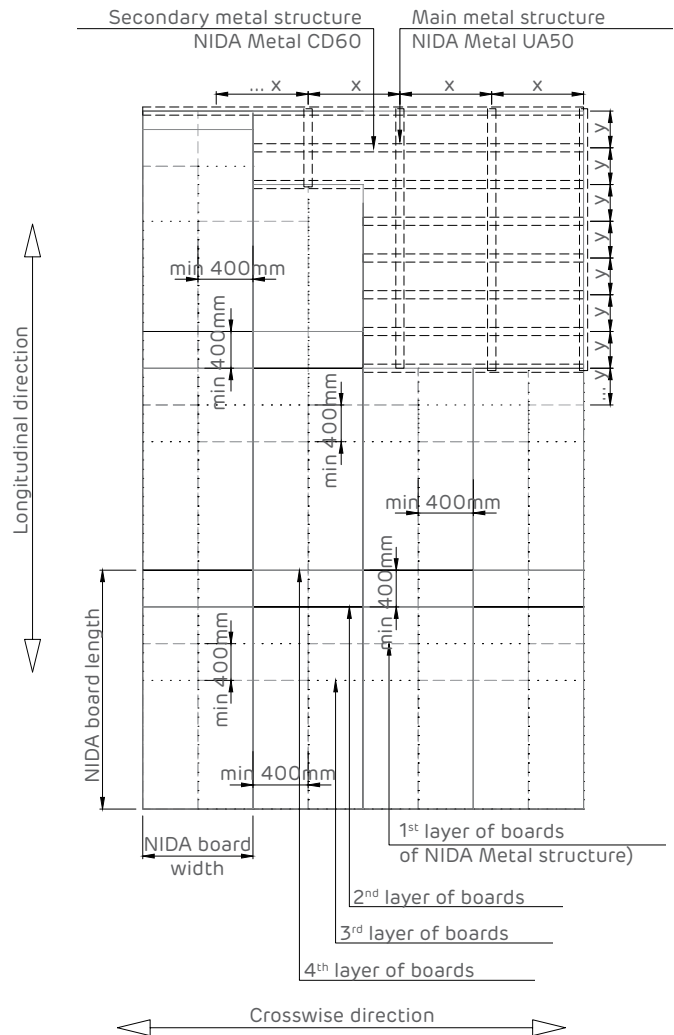
Detail of NIDA Metal CD60 profile extension



Section S1 - S1

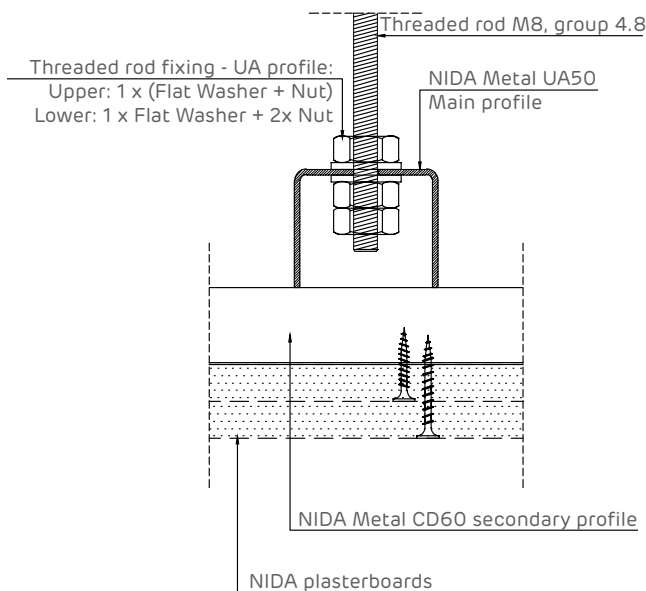


Board joint staggering  
System elevation

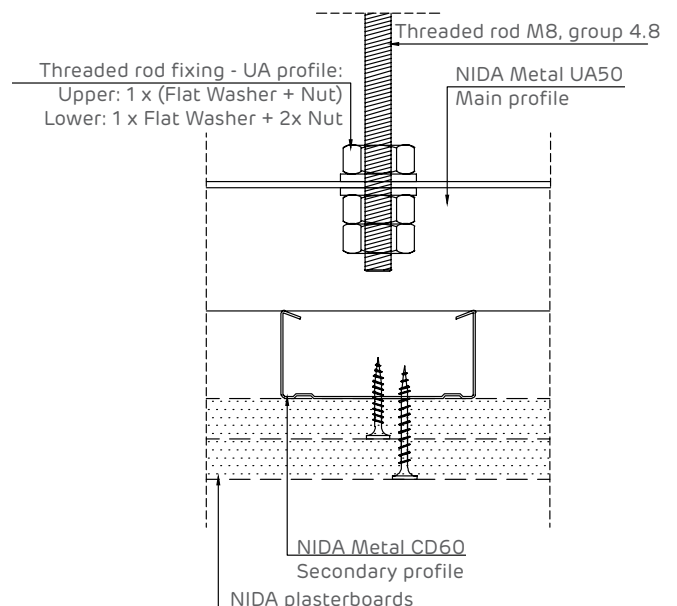


The boards should be mounted with the length perpendicular to the NIDA Metal CD60 profiles. The overlap of the boards lengthwise is minimum 400 mm.

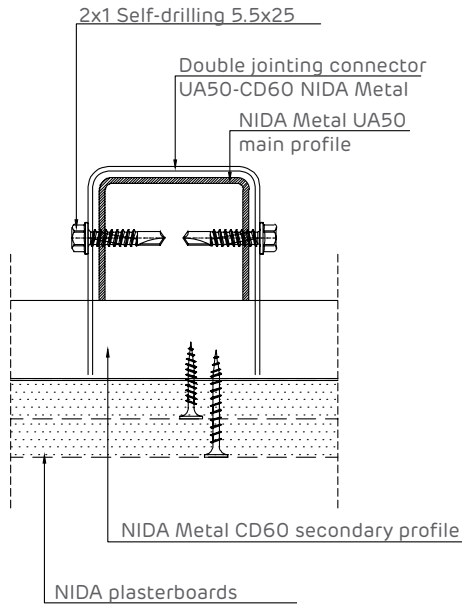
Threaded rod fixing detail  
Cross section



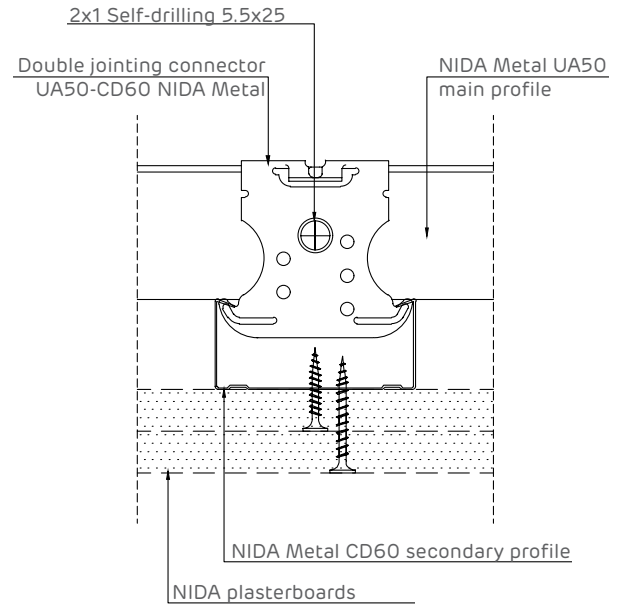
Threaded rod fixing detail  
Longitudinal section



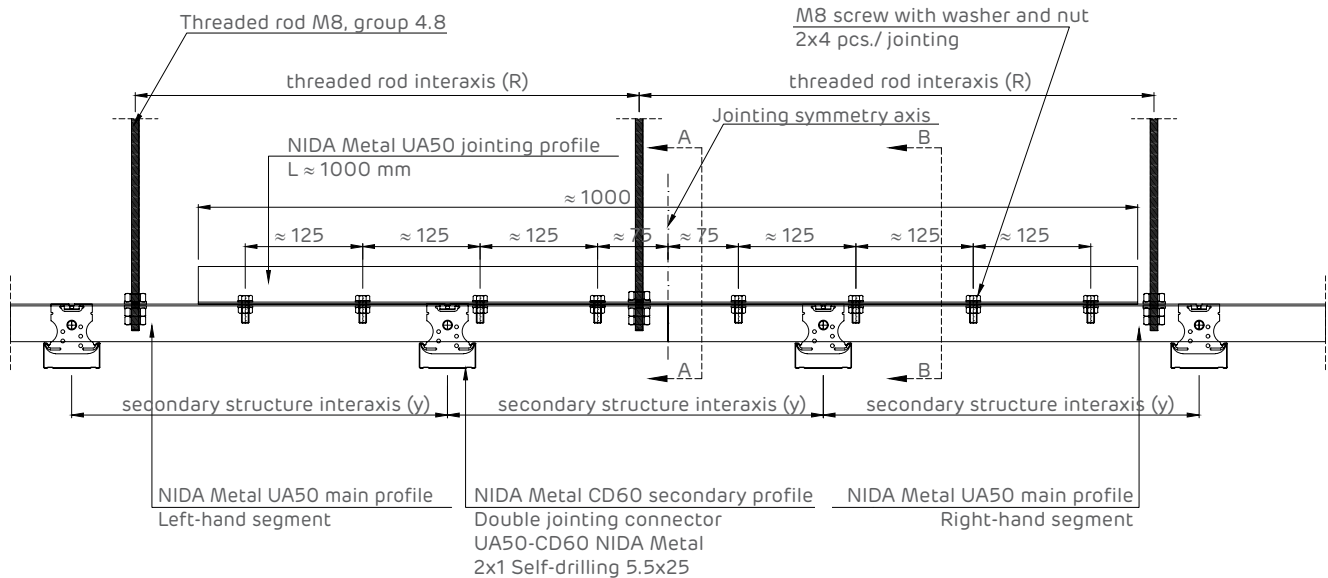
UA50 - CD60 fixing detail  
Cross section

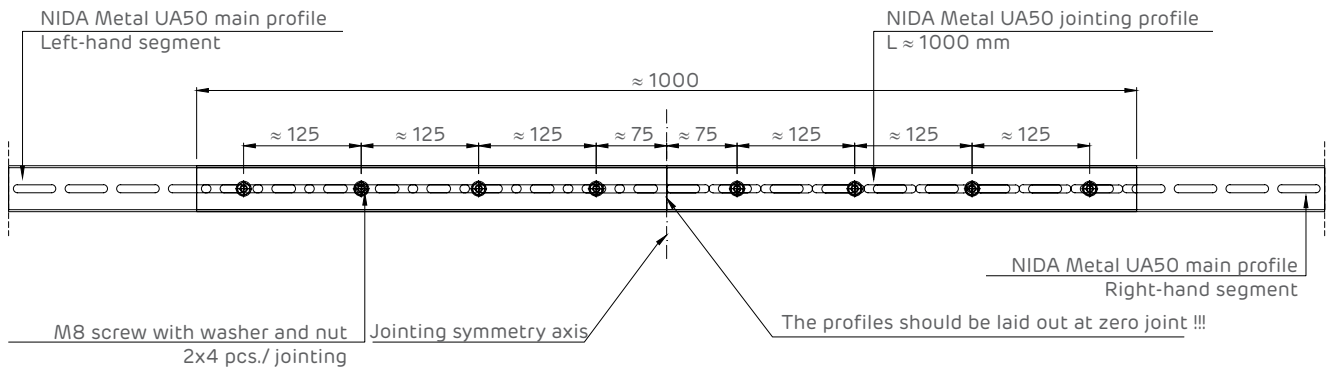


UA50 - CD60 fixing detail  
Longitudinal section

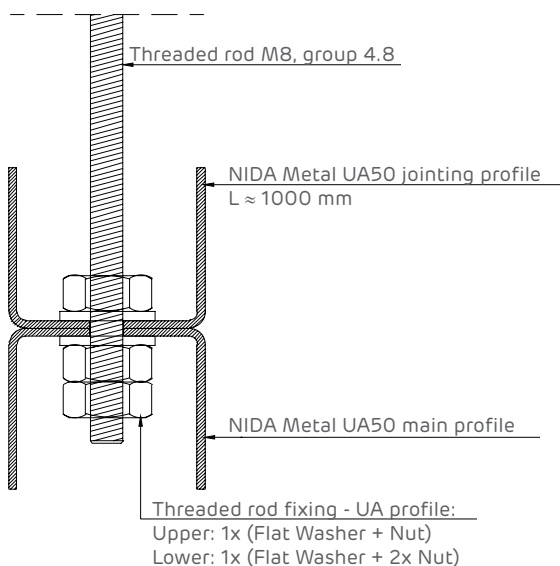


Detail of NIDA Metal UA50 profile extension  
Longitudinal and cross section

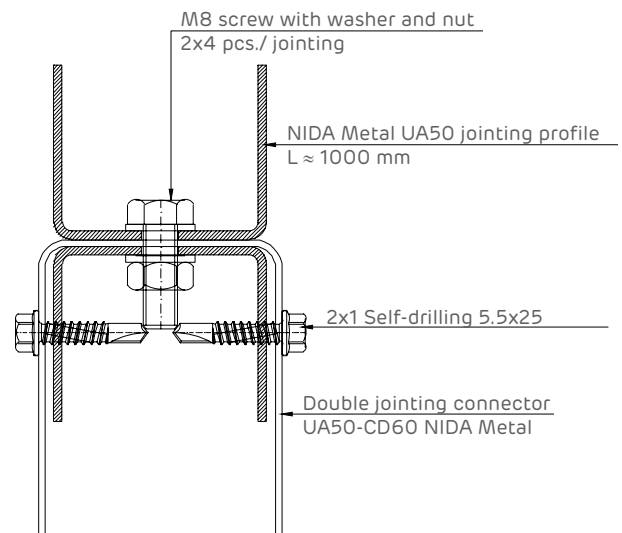




## Section A - A



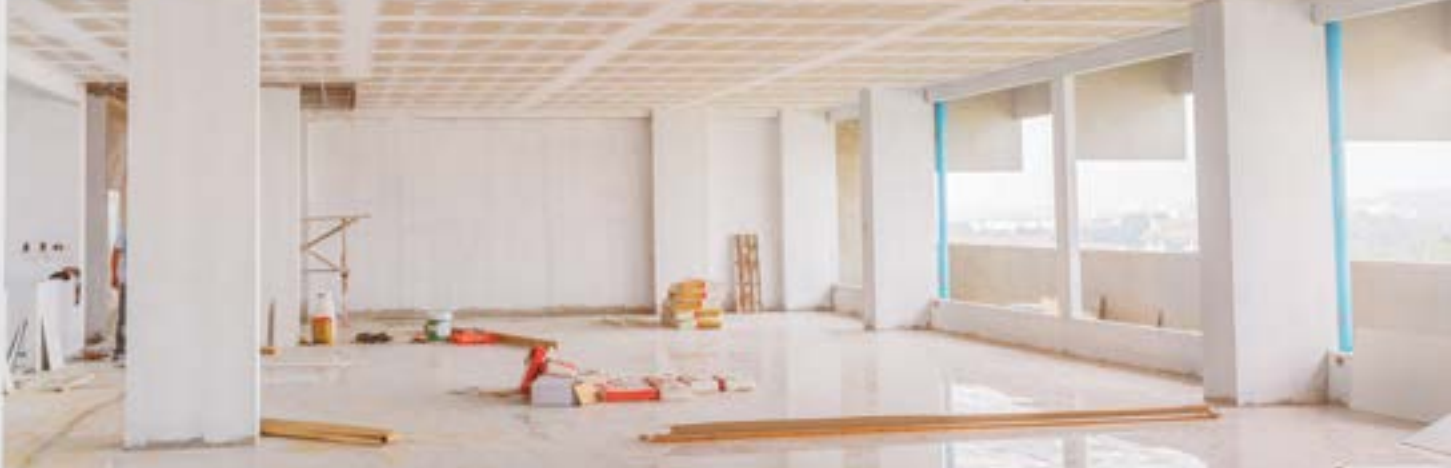
## Section B - B



- 1 4 x Siniat plasterboard
- 2 1. NIDA Metal UA50 main profile  
2. NIDA Metal CD60 secondary profile
- 3 NIDA Metal UD30/UW50 runner profile
- 4 Double jointing connector  
UA50-CD60 NIDA Metal  
2 x 1 Self-drilling 5.5 x 25
- 5 Threaded rod M8, group 4.8
- 6 1. Self-tapping 212 x L1 @ 600 mm  
2. Self-tapping 212 x L2 @ 600 mm  
3. Self-tapping 212 x L3 @ 600 mm  
4. Self-tapping 212 x L4 @ 300 mm
- 7 Threaded rod fixing - UA profile:  
Upper: 1 x (Flat Washer + Nut)  
Lower: 1 x Flat Washer + 2 x Nut
- 8 Flush anchor ( E.g. Hilti HKD M8 x 25 + Washer + Nut)
- 9 Mechanical fixing (\*1), laid out at 500 mm pitch
- 10 Jointing tape (\*2)
- 11 NIDA Profesional jointing plaster
- 12 Single-sided adhesive sealing tape
- 13 Joint treated with NIDA Boardfix
- 14 1. 4 x Siniat board strip  
2. 1 x Siniat board strip pre-mounted with 212 screw
- 15 Corner protection profile
- 16 Basalt mineral wool 2 x 50 mm, min. density  
25 kg/m<sup>3</sup> arranged in two tiers with the joints  
staggered from one tier to another in both directions



# SUSPENDED CEILING INSTALLATION GUIDELINES



## MOUNTING RULES



## SPECIAL MOUNTING



\* We recommend the use of plasterboard panels with a minimum thickness of 12.5 mm.



### 1

## MARKING

- Mark out the position of the suspension items (suspension connector + tension rod assemblies, Nonius assemblies, adjustable clamps) on the underlying ceiling. Fix the suspension items with metal dowels;
- When marking out the position of the suspension items, take into account the maximum distance between profiles and wall (100 mm if there is no guiding and  $\leq 1/2$  of the interaxis between profiles if there is guiding);
- Cut the tension rods to the appropriate length;
- Next, mark out the level of the core structure using a laser level or a see-through water hose and place the UD profiles by fixing them with metal dowels at 60 cm interaxis.



## 2

## MOUNTING OF METAL STRUCTURES

### 2.1 Single structure - Suspension connector

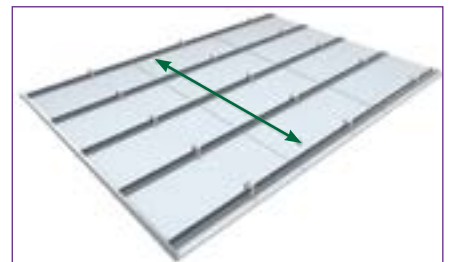
- Insert the suspension connectors into the tension rods
- Fix the CD profiles onto the connectors by inserting the suspension connector into the profile and twisting it to secure attachment
- Adjust the height of the ceiling with the level by operating the suspension connector elastic blades so that it forms a horizontal plane
- The boards are mounted with the layout direction perpendicular to that of the metal structure (direction corresponding to the highest mechanical strength of the boards), symmetrically, with screws inserted every 25 to 30 cm
- The boards should be interwoven in such a way that the joints at the board ends are at least 40 cm staggered.

←→  
"laying" direction of the plasterboards



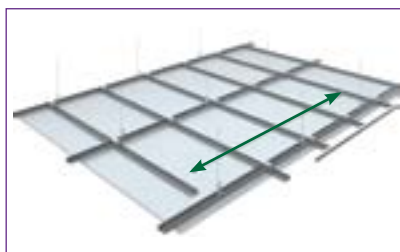
### 2.2 Single Structure - Adjustable clamp

- Bring the adjustable clamp wings (blades) into position
- Fasten the CD profiles with 2 self-drilling screws 421x9.5 each to each wing of the adjustable flange taking care at all times to check the flatness and horizontality of the structure
- Bend the adjustable clamp blades so that they do not prevent the fixing of the boards to the CD profiles
- The methods of laying the boards (laying perpendicular to the structure, "interwoven" boards, etc.) are the same as in the previous system



### 2.3 Double structure - Suspension connector

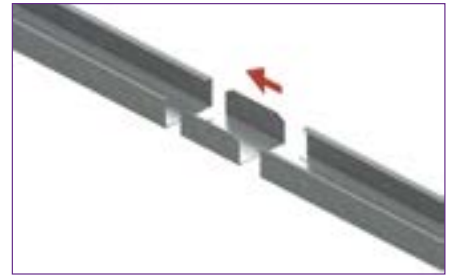
- The double core structure (generally defined as primary, the one directly supported by the suspension members, and secondary, the one on which the plasterboards are screwed) creates 2 orthogonal overlapping networks, connected by means of special cross elements, "joint connectors".
- The primary structure is assembled as described in section 2.1
- The secondary structure is fixed to the primary structure using single (for ceilings with up to 2 layers of boards) or double (for ceilings with up to 4 layers of boards) joint connectors.
- Always check the flatness of the assembly and the correct distance between the metal profiles
- The methods of laying the boards (laying perpendicular to the structure, "interwoven" boards, etc.) are the same as in the previous system



3

### EXTENSION OF CD PROFILES

- Make the joint between 2 CD profiles using the extension connectors, making sure that the distance between two connectors is at least 1.2 m.
- Fix the extension joint to the two CD profiles with two 421x9.5 self-drilling screws for each profile.



4

### INSULATION

- If insulation is provided, lay it on the metal structure before fixing the plasterboards.
- The vapour barrier of the insulation must be positioned next to the warm side, in this case immediately above the plasterboards.



5

### CUTTING OUT NIDA PLASTERBOARDS

- 1 Using the pencil and metal ruler, mark the part to be cut out
- 2 Cut the cardboard from the face of the board with a retractable knife guided by a metal ruler
- 3 Tear the board by applying a short stroke
- 4 Cut the cardboard from the other side



6

### MOUNTING OF NIDA PLASTERBOARDS

- Method of laying the boards in section 2.1

#### If the vertical walls are perpendicular

- Place the first board at a corner
- Screw AF 212 to the boards, the distance between the screws should be 25-30 cm
- Lay the other boards with the joints aligned (to make it easier to finish the joints)

#### If the vertical walls are not perpendicular

- Fix the CD profiles parallel to one of the vertical walls and start with the board that is laid after being cut obliquely
- For better flatness of the ceiling raise the core structure 2-3 mm above level



## 7

**INTEGRATION OF INSTALLATIONS**

- In today's buildings, installations play a fundamental role: air conditioning, power supply, data transmission cables, building automation, which are generally installed in the "plenum" between the ceiling and the false ceiling, as required by the "all up" design.
- If, for reasons of ventilation or manhole construction, it is necessary to interrupt the CD60 profiles, they should be additionally fixed to the supporting bracket at each end that is still free.



## 8

**ACOUSTIC AND DECORATIVE CEILINGS**

- Perforations give acoustic ceilings an aesthetic role and improve acoustic comfort
- The boards can also be used vertically, but only in areas that are less prone to damage
- The laying, by screwing onto the metal frame, is the same as for the other NIDA System boards

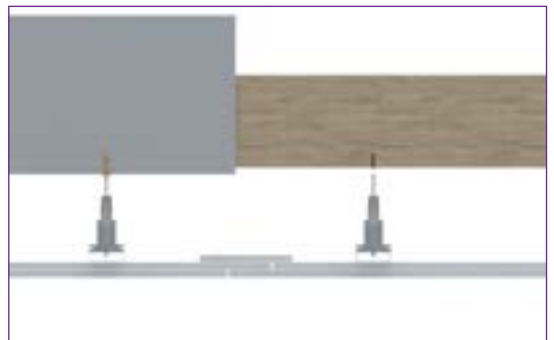


## 9

**EXPANSION JOINTS**

- In the presence of structural joints in the building, when the suspended ceiling is fixed to various supports with significant mutual movements or to supports that are obviously elastic and may have significant deflections, it is advisable to make expansion joints.
- Joints should also be made for large areas of the false ceiling, interrupting the horizontal plane approximately every 10 m

The specific provisions for the design of suspended ceilings for seismic action should be taken into account





# Discover the new generations of Createx perforated boards



## Contact



### Serbia

**Tihomir Kašanin** - SALES MANAGER  
+381 63 521 639  
tihomir.kasanin@etexgroup.com

---

**Miloš Mitić** - SALES REPRESENTATIVE  
+381 63 583 271  
milos.mitic@etexgroup.com

---

**Nebojša Božić** - SALES REPRESENTATIVE  
+381 63 509 077  
nebojsa.bozic@etexgroup.com

---

**Nebojša Vasić** - TECHNICAL REPRESENTATIVE  
+381 63 680 551  
nebojsa.vasic@etexgroup.com

### Montenegro

**Tihomir Kašanin** - SALES MANAGER  
+381 63 521 639  
tihomir.kasanin@etexgroup.com

---

**Nebojša Vasić** - TECHNICAL REPRESENTATIVE  
+381 63 680 551  
nebojsa.vasic@etexgroup.com

### General contact information

**Romania (central)**  
**Etex Building Performance S.A.**  
Str. Vulturilor 98, et. 5-6, code 030857,  
Sector 3, Bucharest  
+40 312 240 100  
siniat.ro@etexgroup.com

---

**Serbia**  
**Etex Building Performance d.o.o.**  
Vojvode Putnika 79, 21208 Sremska  
Kamenica  
+381 21 210 10 90  
siniat.rs@etexgroup.com



## Innovation for over 110 years

Present in 45 countries, the Etex Group inspires people around the world to build living spaces that are ever more safe, sustainable, smart and beautiful, using a wide spectrum of lightweight solutions.

From innovative modular systems to leading fiber cement and plasterboard systems. From high-performance applications for wall plastering and facade cladding to fire protection and building insulation.

### **Etex Building Performance S.A.**

Str. Vulturilor nr. 98, et. 5-6  
sector 3, Bucharest  
Tel.: (+4) 031 224 01 00  
[siniat.ro@etexgroup.com](mailto:siniat.ro@etexgroup.com)



For details and solutions,  
please visit  
[www.siniat.rs](http://www.siniat.rs)

You can also find us at

